



Date: _____

Type: _____

Fixture: _____

Project: _____

Approved:

FCB741



FCB741 High output exterior die-cast aluminum, round 7" diameter, 40 inch high bollard, providing direct light to a wide circumference surrounding this luminaire.

SPECIFICATIONS

PHYSICAL

dimensions	40"H x 7"D
weight	18 lbs
housing	Marine grade, corrosion resistant, heavy guage aluminum
lens	Impact resistant, UV stabilized, clear, polycarbonate diffuser
mounting	Heavy gauge base bracketing for bollard installation provides a unique mounting solution, so the tower body anchors flush to the ground without the appearance of a base plate, anchor bolts included (j-box by others)
ingress protection	IP66: dry, damp, or wet locations with extruded silicone gasket to seal out contaminants
finish	Available in Black, Bronze, Graphite Grey, Silver, White and Custom Colors. Six stage chemical iron phosphate conversion pre-treatment. Polyester powder coat finish, 18 µm minimum, 5,000 hour salt spray test (ASTM B117) compliant with Florida / AAMA 2604 specification.

PERFORMANCE

color temperature	2700K, 3000K, 3500K, 4000K
lumen output	2000 lm
lumen maintenance	L70 > 70,000 hours
color consistency	3 SDCM / 85 CRI
operating temperature	-13°F to 104°F (-25°C to 40°C)
warranty	5-Year limited warranty

ELECTRICAL

input voltage	Universal 120 - 277 VAC, optional: 347 VAC (Integral) 480 VAC (Integral)
power supply	Integral Class II, electronic, high power factor > 94% @ 120V
certification	ETL/cETL Listed
standards	UL1598 / CSA C22.2 No. 250.0; UI 8750 / CSA C22.2 No. 250.13 / IES LM-79 / LM-80
power consumption	23W @ 120 - 277 VAC
dimming	standard: 0-10V (10%), optional: ELV (120 VAC Only) / DMX (Integral) / DALI (Integral)

Due to continuous development and improvements, specifications are subject to change without notice. Product use certifies agreement to FC Lighting terms and conditions.



Ordering Information

ORDERING INFORMATION

FCB741			40			20L						
SERIES	VOLTAGE	HEIGHT	CCT	LUMENS	FINISH	OPTIONS						
FCB741	UNV	120 - 277 VAC	40 40"	27K 2700K	20L 2000 lm (23W)	BKE Black	LD 0-10V Dimming (Standard)					
	347V	347 VAC (Integral)		3K 3000K		BRE Bronze	ELV ELV Dimming (120 Only)					
	480V	480 VAC (Integral)		35K 3500K		GRE Graphite Grey	DMX DMX Dimming (Integral)					
				4K 4000K		SLE Silver	DALI DALI Dimming (Integral)					
						WHE White	BBU Battery Backup (Integral) (Not for ELV)					
						CCE Custom Color	HS 180° House Shield					
							HS2 270° House Shield					

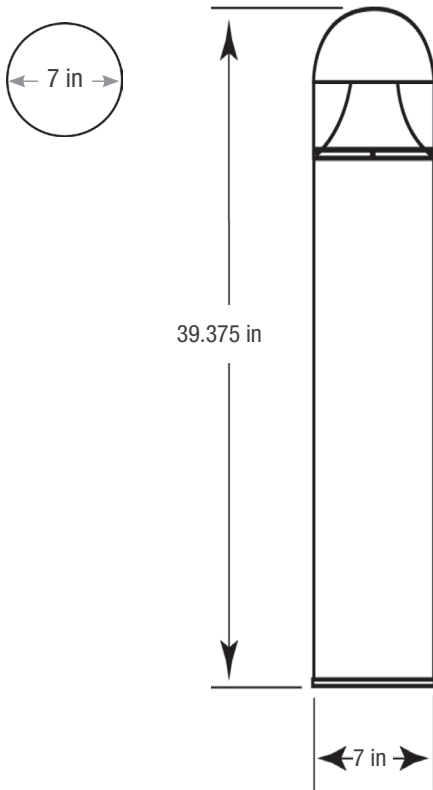
Due to continuous development and improvements, specifications are subject to change without notice. Product use certifies agreement to FC Lighting terms and conditions.



Physical

PRODUCT DIMENSIONS - STANDARD PRODUCT

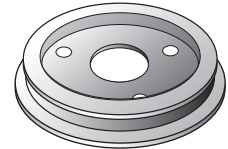
height	40" H
diameter	7" Dia



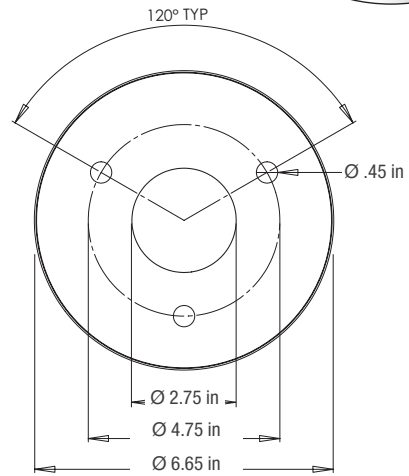
MOUNTING

mounting plate diameter	6.65" Dia
anchor bolt size	3/8"Ø x 12"L x 2" Tang
bolt pattern diameter	4.75" Dia

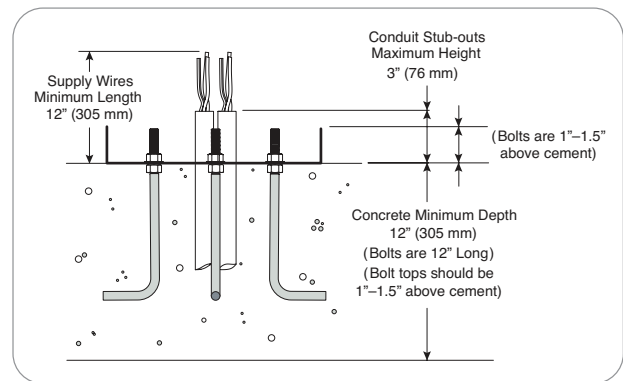
Anchor Bolt Part #	94523B-4
Quantity Required	3 for each bollard



mounting hole pattern



Concrete minimum depth 12"; 12" anchor bolts extend above cement, see installation instructions for detailed information.

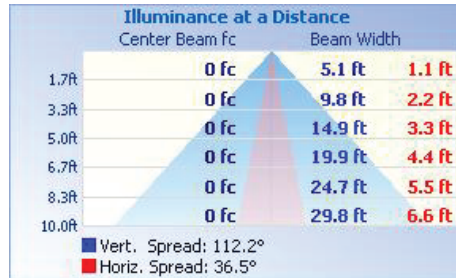
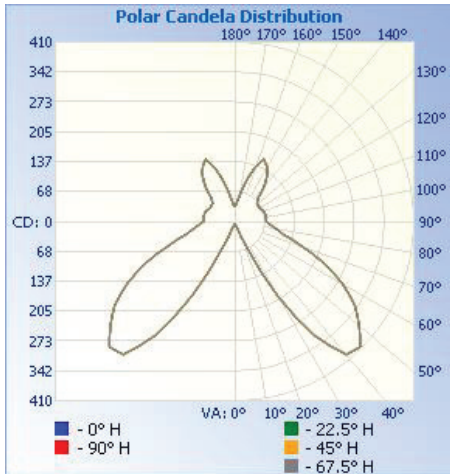


Due to continuous development and improvements, specifications are subject to change without notice. Product use certifies agreement to FC Lighting terms and conditions.



Photometry

OPTICAL DISTRIBUTION



Lumen Output	2000 Lm @ 4000K
Power Consumption	23 W

itl illuminations testing laboratory - Report FCB741

OPTIONS

FIND IES FILES ON FCLIGHTING.COM

HS - 180° House Shield

HS2 - 270° House Shield

NOTE: House Shields are internal to the fixture.

Due to continuous development and improvements, specifications are subject to change without notice. Product use certifies agreement to FC Lighting terms and conditions.

 US Commercial Lighting Manufacturer Since 1982

Specification Sheet