

# FCBT690



<b>Date:</b>	<b>Approved:</b>
<b>Type:</b>	
<b>Fixture:</b>	
<b>Project:</b>	

**FCBT690** Exterior die-cast aluminum bollard with right angle head position tower. Available in 42" and 36" height. Designed and built to illuminate the ground and/or pathways safely without glare. **FCBT690** has an extremely wide-throw beam pattern covering 30'–35' wide and still measuring greater than 1 foot candle. It also has a forward throw of approximately 14 feet. Matches up with FCBT690S, 24" high version.

## SPECIFICATIONS

### PHYSICAL

<b>dimensions</b>	42"H or 36"H x 8"W x 9"D at top (3"D at base)
<b>weight</b>	12 lbs
<b>housing</b>	Marine grade, corrosion resistant, heavy gauge aluminum
<b>lens</b>	Impact resistant, UV stabilized, clear, polycarbonate diffuser
<b>mounting</b>	Heavy wall base bracketing for bollard installation provides a unique mounting solution, so the tower body anchors flush to the ground without the appearance of a base plate, anchor bolts included
<b>ingress protection</b>	IP65: dry, damp, or wet locations, GFCI Option: NEMA 3R rated
<b>finish</b>	Available in Black, Bronze, Graphite Grey, Silver, White and Custom Colors. Six stage chemical iron phosphate conversion pre-treatment. Polyester powder coat finish, 18 µm minimum, 5,000 hour salt spray test (ASTM B117) compliant with Florida / AAMA 2604 specification.

### PERFORMANCE

<b>color temperature</b>	2700K, 3000K, 3500K, 4000K
<b>lumen output (nominal)</b>	500 lm, 1000 lm, 1400 lm, 1900 lm
<b>lumen maintenance</b>	L70 > 70,000 hours
<b>color consistency</b>	3 SDCM / 85 CRI
<b>operating temperature</b>	-49°F to 104°F (-45°C to 40°C)
<b>warranty</b>	5-Year limited warranty

### ELECTRICAL

<b>input voltage</b>	Universal 120 - 277 VAC, optional: 347 VAC, 480 VAC
<b>power supply</b>	Integral Class II, electronic, high power factor > 94% @ 120V
<b>certification</b>	ETL/cETL Listed
<b>standards</b>	UL1598 / CSA C22.2 No. 250.0; UI 8750 / CSA C22.2 No. 250.13 / IES LM-79 / LM-80
<b>power consumption</b>	7W (500 lm) minimum, 37W (1900 lm) maximum
<b>dimming</b>	standard: Tri-dim, optional: 0-10V (10%) / DMX / DALI
<b>GFCI</b>	GFCI receptacle, self-test, 20A 125V, 2-pole 3-wire grounding, 5-20R, NEMA 3R rated

Due to continuous development and improvements, specifications are subject to change without notice.  
Product use certifies agreement to FC Lighting terms and conditions.



## Ordering Information

### ORDERING INFORMATION

SERIES	VOLTAGE	HEIGHT	COLOR	LUMENS (nominal)	FINISH	DIMMING	OPTIONS
<b>FCBT690</b>	<b>UNV</b> 120 - 277 VAC	<b>42</b> 42"	<b>827</b> (85CRI) 2700K	<b>19L</b> 1900 lm (37W)	<b>BKE</b> Black	<b>TD</b> Tri-Dim (1%, 0-10V, 120 - 277 VAC), (1%, TRIAC & ELV, 120 VAC Only)	<b>CD</b> Cane Detector
	<b>120V</b> 120 VAC	<b>36</b> 36"	<b>830</b> (85CRI) 3000K	<b>14L</b> 1400 lm (22W)	<b>BRE</b> Bronze	<b>LD</b> 0-10V Dimming (347V, 480V Only)	<b>SP20</b> 20kV Surge Protector
	<b>347V</b> 347 VAC (LD Only)		<b>835</b> (85CRI) 3500K	<b>10L</b> 1000 lm (16W)	<b>GRE</b> Graphite Grey	<b>DMX</b> DMX Dimming (Integral)	<b>BBU</b> Battery Backup, Integral (Not w/ ELV)
	<b>480V</b> 480 VAC (LD Only)		<b>840</b> (85CRI) 4000K	<b>5L</b> 500 lm (7W)	<b>SLE</b> Silver	<b>DALI</b> DALI Dimming (Integral)	<b>SP20-BBU</b> (2) 20kV Surge Protectors (1/ LED Driver, 1/BBU) and Battery Backup (Integral)
					<b>WHE</b> White		
					<b>CCE</b> Custom Color		
				<b>HS<sup>1</sup> - 180° House Shield</b>			<b>HS</b> 180° House Shield
				<b>16L</b> 1600 lm (37W)			<b>HS2</b> 270° House Shield
				<b>11L</b> 1100 lm (22W)			<b>LAB<sup>1</sup></b> Less Anchor Bolt Kit - for shipment separate of Anchor Bolt Kit
				<b>8L</b> 850 lm (16W)			
				<b>4L</b> 400 lm (7W)			<b>GFCI1<sup>2,4,5</sup></b> Single Gang 20A 125V Outlet Receptacle (120V Only)
				<b>HS2<sup>2</sup> - 270° House Shield</b>			<b>GFCI2<sup>3,4,5</sup></b> Double Gang 20A 125V Outlet Receptacle (120V Only)
				<b>9L</b> 950 lm (37W)			
				<b>6L</b> 650 lm (22W)			
				<b>5L</b> 500 lm (16W)			
				<b>2L</b> 250 lm (7W)			

### ANCHOR BOLT KITS

**A00690** Anchor Bolt Kit - Complete Anchor Bolt Kit shipped in advance of luminaire.

<sup>1</sup> **Note:** Luminaire must be mounted into FC Lighting supplied Anchor Bolt Kit shipped with or separate of luminaire.

<sup>2</sup> **Note:** All Paint COLOR to match GFCI outlet color except Black housing which uses a Bronze GFCI.

<sup>3</sup> **Note:** Double Gang GFCI COVER ONLY available in Silver for all finish options.

<sup>4</sup> **Note:** BBU Option not available with GFCI Option.

<sup>5</sup> **Note:** 120 VAC only.

### Consult Factory for other options and configurations.

To ensure you receive proper configurations for your lighting specifications, contact us directly about any unique application requirements. This may include but not be limited to lumen output, mounting needs, or electrical requirements.

Due to continuous development and improvements, specifications are subject to change without notice. Product use certifies agreement to FC Lighting terms and conditions.

 US Commercial Lighting Manufacturer Since 1982

© FC Lighting 3609 Swenson Ave. • St. Charles, IL • 60174 | fclighting.com | 800.900.1730

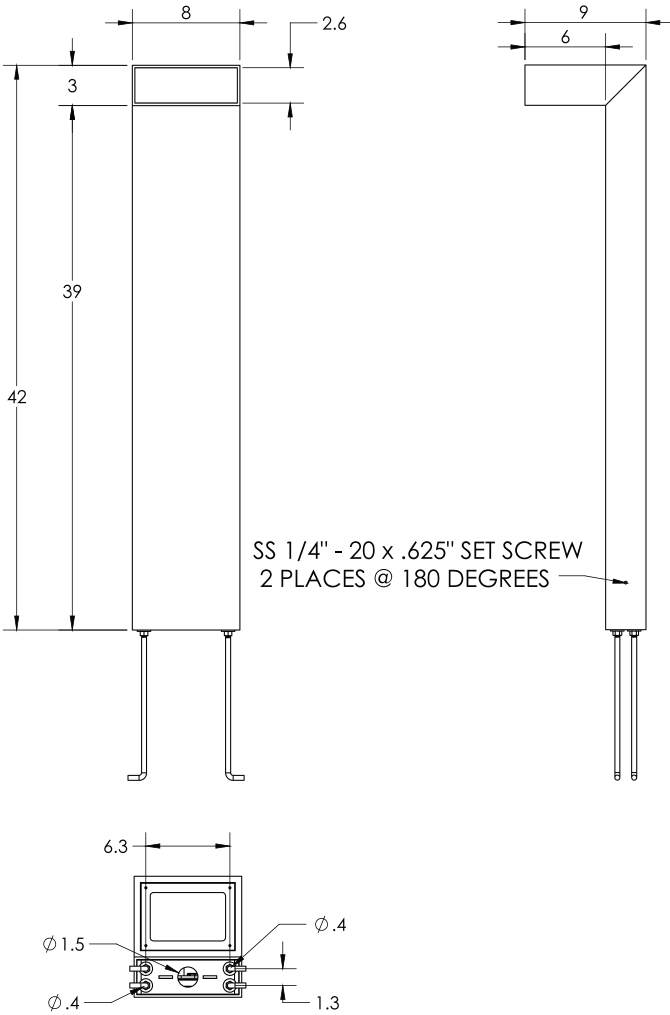
Specification Sheet

AM-DM-062124



## Physical

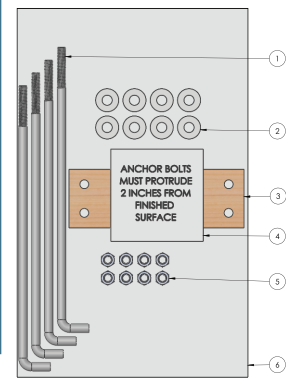
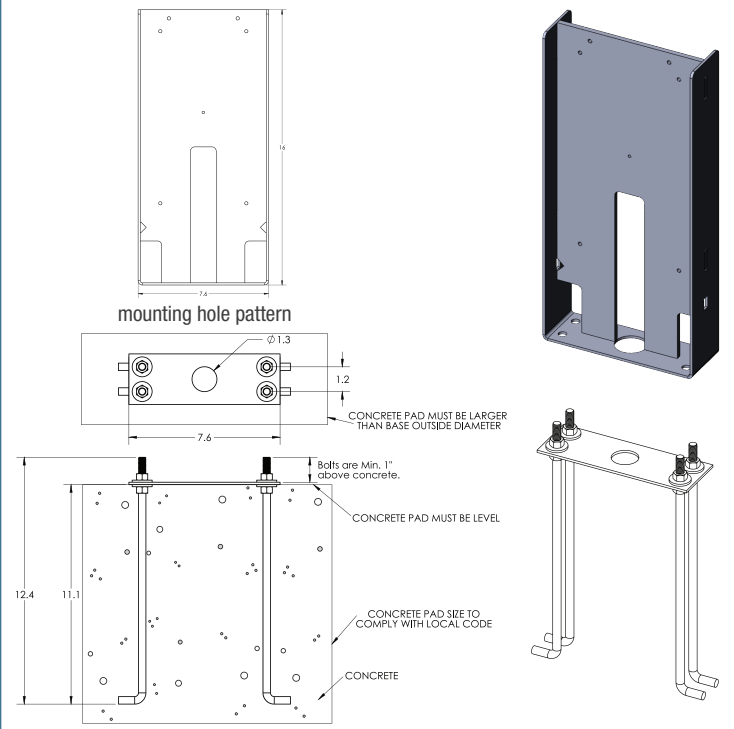
### PRODUCT DIMENSIONS - STANDARD PRODUCT



### MOUNTING

<b>Mounting Plate Size</b>	7.6" x 3"
<b>Anchor Bolt Template Assembly</b>	A00690

(Includes the below items listed)



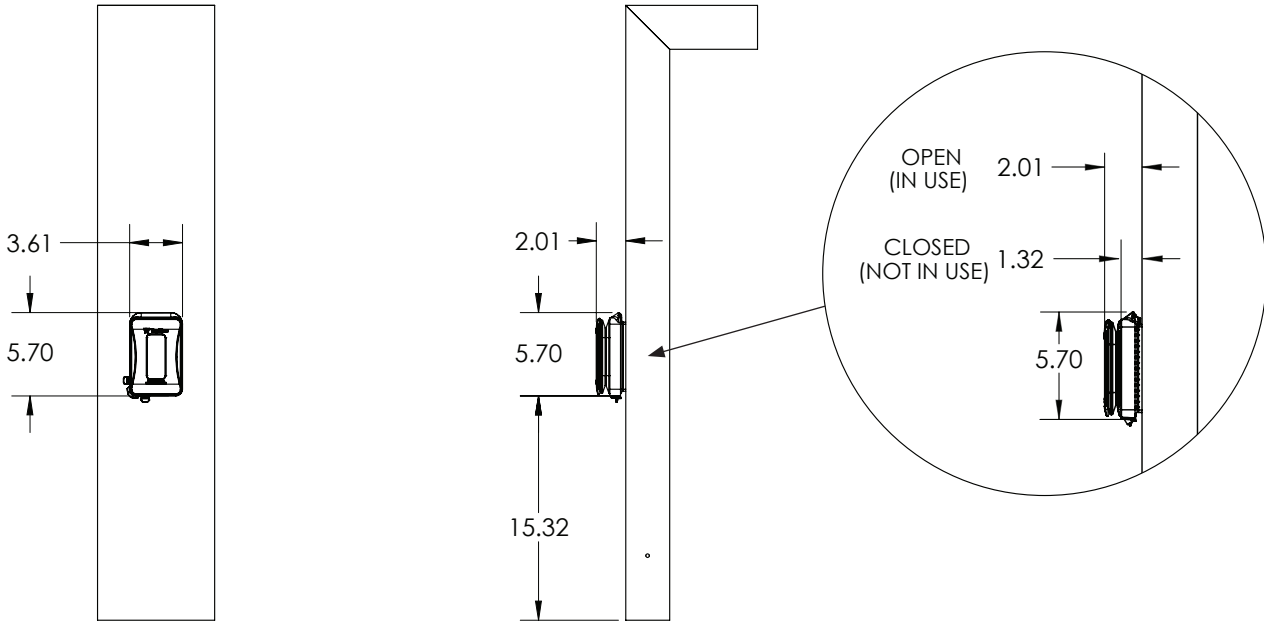
#	ANCHOR BOLT TEMPLATE ASSEMBLY (A00690) (Includes below items)	QTY.
1	3/8" x 12" x 1" L hook Anchor Bolt (94523B-4)	4
2	3/8" FLAT WASHER H-D GALV STEEL	8
3	ANCHOR BOLT WOOD TEMPLATE	1
4	ANCHOR BOLT LABEL	1
5	3/8"-16 HEX NUT H-D GALV STEEL	8
6	PLASTIC B.A.G. SEALED	1

Due to continuous development and improvements, specifications are subject to change without notice. Product use certifies agreement to FC Lighting terms and conditions.

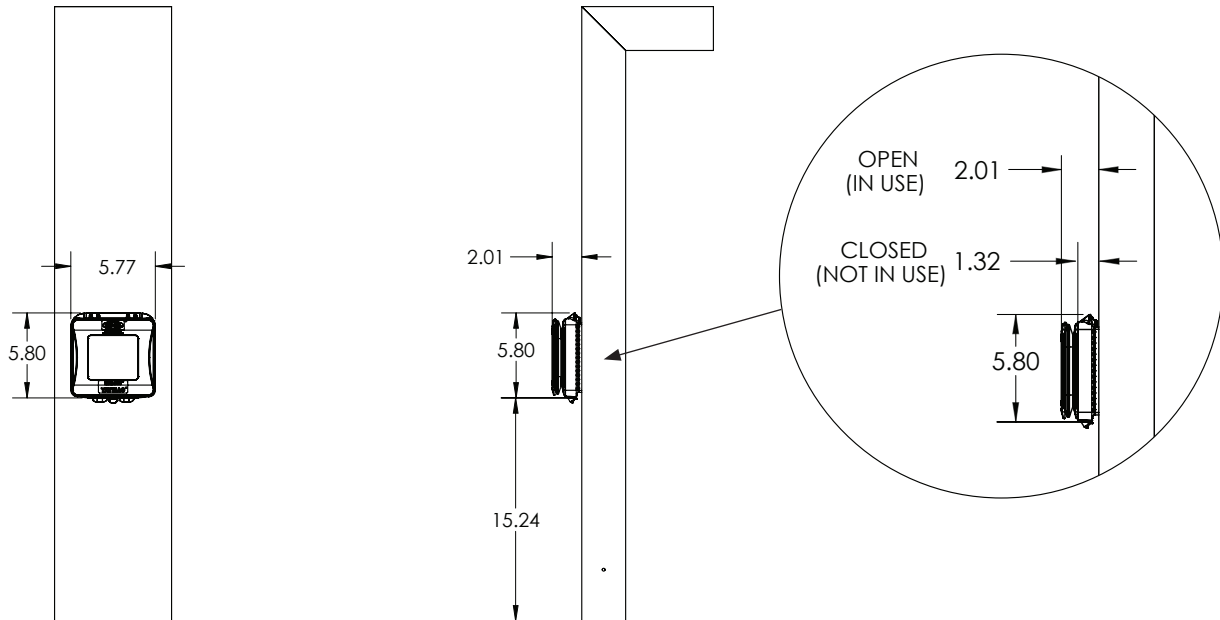


# Physical

## PRODUCT DIMENSIONS - SINGLE GANG GFCI OPTION



## PRODUCT DIMENSIONS - DOUBLE GANG GFCI OPTION

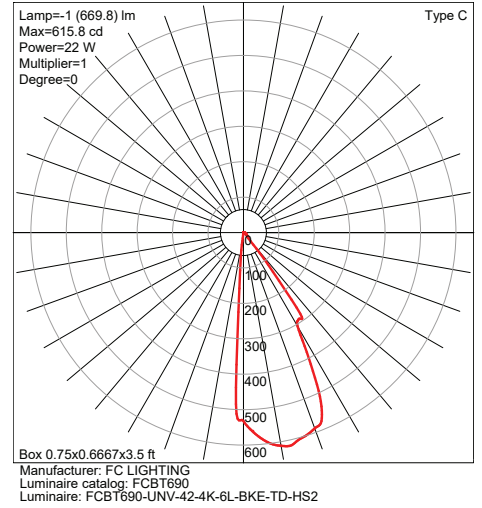
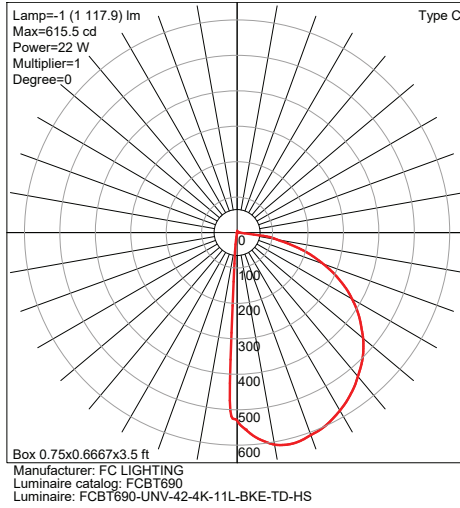
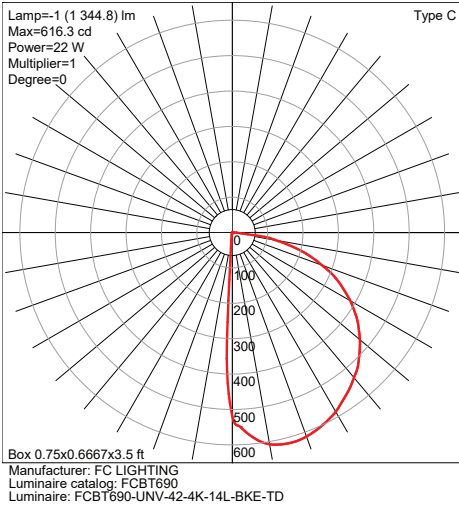


Due to continuous development and improvements, specifications are subject to change without notice. Product use certifies agreement to FC Lighting terms and conditions.



# Photometry

## OPTICAL DISTRIBUTION



COLOR	IES MULTIPLIER
827	0.93
830	0.95
835	0.99
840	1.00

Due to continuous development and improvements, specifications are subject to change without notice.  
Product use certifies agreement to FC Lighting terms and conditions.

 US Commercial Lighting Manufacturer Since 1982

Specification Sheet

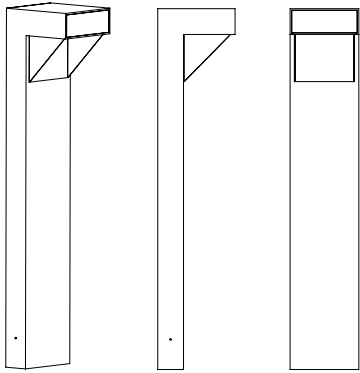


# Accessories

**OPTIONS**

FIND IES FILES ON FCLIGHTING.COM

**HS - House Shield that blocks light out the sides**



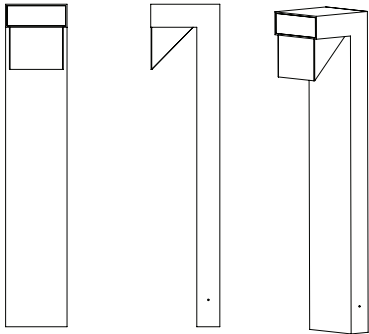
Use the 180° House Side Shield (HS) to protect beach side areas where luminaires are installed.

**HS Height: 5.5" H**

**CD - Cane Detector**

<b>foot depth</b>	add 3" D at column base
<b>foot width</b>	8" W

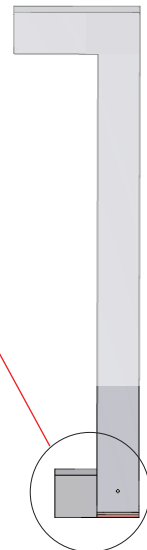
**HS2 - House Shield that blocks light out the front**



Use the (HS2) front House Shield to protect beach side areas where luminaires are installed.

**HS Height: 5.5" H**

**SHOWS FCBT690 W/ CANE DETECTION**



Due to continuous development and improvements, specifications are subject to change without notice. Product use certifies agreement to FC Lighting terms and conditions.

 US Commercial Lighting Manufacturer Since 1982

**Specification Sheet**