

**FCBT690A**



<b>Date:</b>	<b>Approved:</b>
<b>Type:</b>	
<b>Luminaire:</b>	
<b>Project:</b>	

**FCBT690A** Wildlife friendly, amber LED exterior die-cast aluminum square top bollard tower with right angle head position. Available in 36" or 42" heights. Certified by the Florida Fish & Wildlife Conservation Commission for use in areas where protected wildlife exist.



Wildlife Lighting Certified  
by the Florida Fish & Wildlife  
Conservation Commission

**SPECIFICATIONS**

**PHYSICAL**

<b>dimensions</b>	36" or 42" H x 8" W x 9" D at lamp (3" D at column)
<b>weight</b>	20 lbs
<b>housing</b>	Marine grade, corrosion resistant, heavy guage aluminum
<b>lens</b>	Impact resistant, UV stabilized, opal, polycarbonate diffuser
<b>mounting</b>	Heavy wall base bracketing for bollard installation provides a unique mounting solution, so the tower body anchors flush to the ground without the appearance of a base plate, anchor bolts included
<b>ingress protection</b>	IP65: dry, damp or wet locations
<b>finish</b>	Available in Black, Bronze, Graphite Grey, Silver, White and Custom Colors. Six stage chemical iron phosphate conversion pre-treatment. Polyester powder coat finish, 18µm minimum, 5,000 hour salt spray test (ASTM B117) compliant with Florida / AAMA 2604 specification.

**PERFORMANCE**

<b>color temperature</b>	Amber — wildlife friendly (590-600 nanometer light wavelength)
<b>lumen output (nominal)</b>	311 lm
<b>lumen maintenance</b>	L70 > 70,000 hours
<b>BUG rating</b>	B0-U0-G0
<b>operating temperature</b>	-13°F to 104°F (-25°C to 40°C), <b>start up:</b> -13°F to 104°F (-25°C to 40°C), <b>storage:</b> -40°F to 176°F (-40°C to 80°C)
<b>warranty</b>	5-Year limited warranty

**ELECTRICAL**

<b>input voltage</b>	Universal 120 - 277 VAC
<b>power supply</b>	Integral
<b>certification</b>	ETL / cETL Listed; Wildlife Friendly Lighting Certification #2018-049
<b>standards</b>	UL 1598 / CSA C22.2 No. 250.0 - Class I / IES LM-79 / LM-80
<b>power consumption</b>	8.3W @ 120 - 277 VAC
<b>dimming</b>	<b>standard:</b> Tri-Dim (UNV Only) (1%, 0-10V, 120-277V), (1%, TRIAC & ELV, 120V Only)
<b>GFCI</b>	<b>optional:</b> GFCI receptical, self-test, 20A 125V, 2-pole 3-wire grounding, 5-20R



Due to continuous development and improvements, specifications are subject to change without notice.  
Product use certifies agreement to FC Lighting terms and conditions.



## Ordering Information

### ORDERING INFORMATION

FCBT690A	UNV	36	AM	03L		TD	
SERIES	VOLTAGE	HEIGHT	CCT	LUMENS	FINISH	DIMMING	OPTIONS
FCBT690A	UNV 120 - 277 VAC	36 36" 42 42"	AM Amber (560nm-600nm)	03L 311 lm (8.3W)	BKE Black BRE Bronze GRE Graphite Grey SLE Silver WHE White CCE Custom Color	TD Tri-Dim (1%, 0-10V, 120 - 277 VAC), (1%, TRIAC & ELV, 120 VAC Only)	SP 20kV Surge Protector (Not connected to GFCI Options)  HS 180° House Side Shield HS2 270° House Side Shield LAB <sup>1</sup> Less Anchor Bolt Kit - for shipment separate of Anchor Bolt Kit  GFCI1 <sup>2,4</sup> Single Gang 20A 125V Outlet Receptacle (120V Only) GFCI2 <sup>3,4</sup> Double Gang 20A 125V Outlet Receptacle (120V Only)

### ANCHOR BOLT KITS

#### A00690

Anchor Bolt Kit - Complete Anchor Bolt Kit shipped in advance of luminaire.

<sup>1</sup> **Note:** Luminaire must be mounted into FC Lighting supplied Anchor Bolt Kit shipped with or separate of luminaire.

<sup>2</sup> **Note:** All Paint COLOR to match GFCI outlet color except Black housing which uses a Bronze GFCI.

<sup>3</sup> **Note:** Double Gang GFCI COVER ONLY available in Silver for all finish options.

<sup>4</sup> **Note:** 120 VAC only.

### Consult Factory for other options and configurations.

To ensure you receive proper configurations for your lighting specifications, contact us directly about any unique application requirements. This may include but not be limited to lumen output, mounting needs, or electrical requirements.

Due to continuous development and improvements, specifications are subject to change without notice. Product use certifies agreement to FC Lighting terms and conditions.

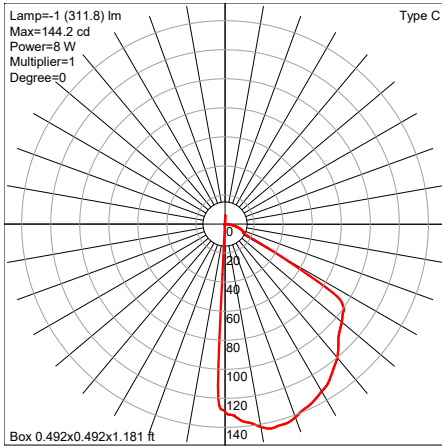


US Commercial Lighting Manufacturer Since 1982

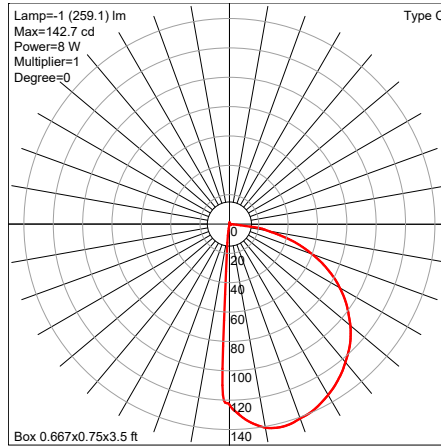


# Photometry

## OPTICAL DISTRIBUTION



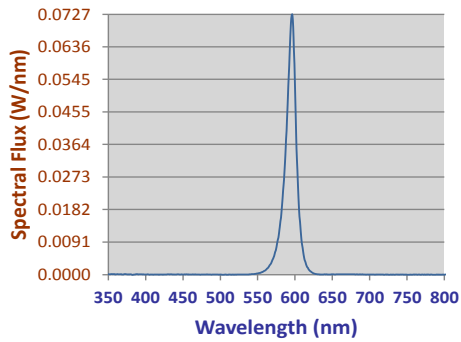
Manufacturer: FC LIGHTING  
Luminaire catalog: FCBT690A  
Luminaire: FCBT690A-UNV-42-AM-3L-BKE-TD



Manufacturer: FC LIGHTING  
Luminaire catalog: FCBT690A  
Luminaire: FCBT690A-UNV-42-AM-03L-BKE-TD-HS

NOTE: House Shield is internal to the luminaire.

### Relative Spectral Power Distribution



Due to continuous development and improvements, specifications are subject to change without notice.  
Product use certifies agreement to FC Lighting terms and conditions.

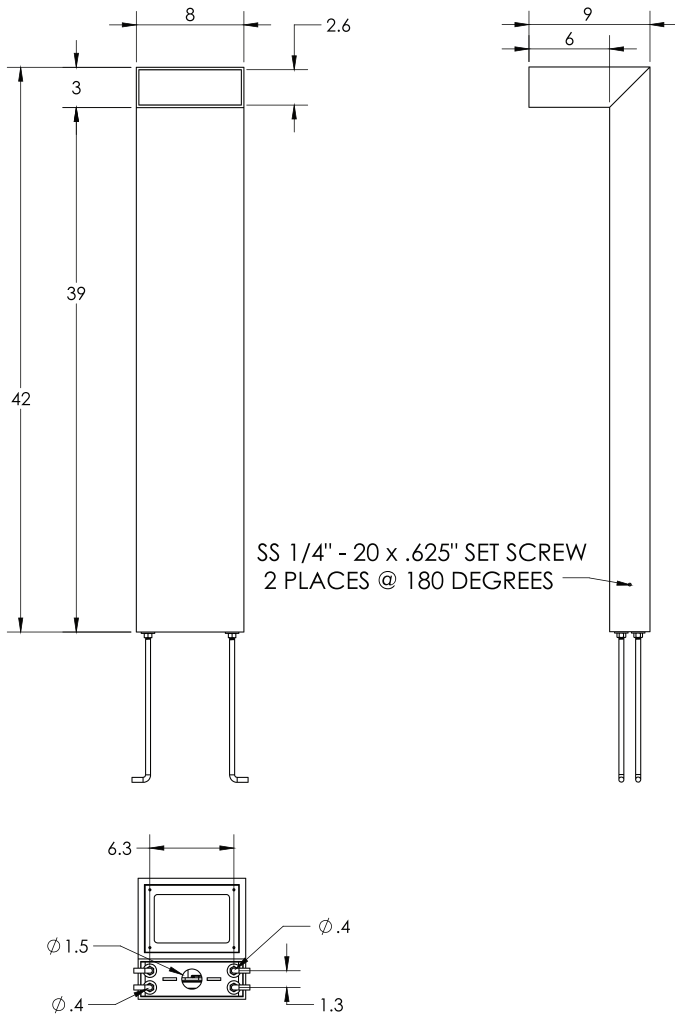
 US Commercial Lighting Manufacturer Since 1982

Specification Sheet



## Physical

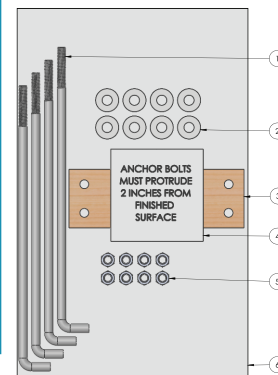
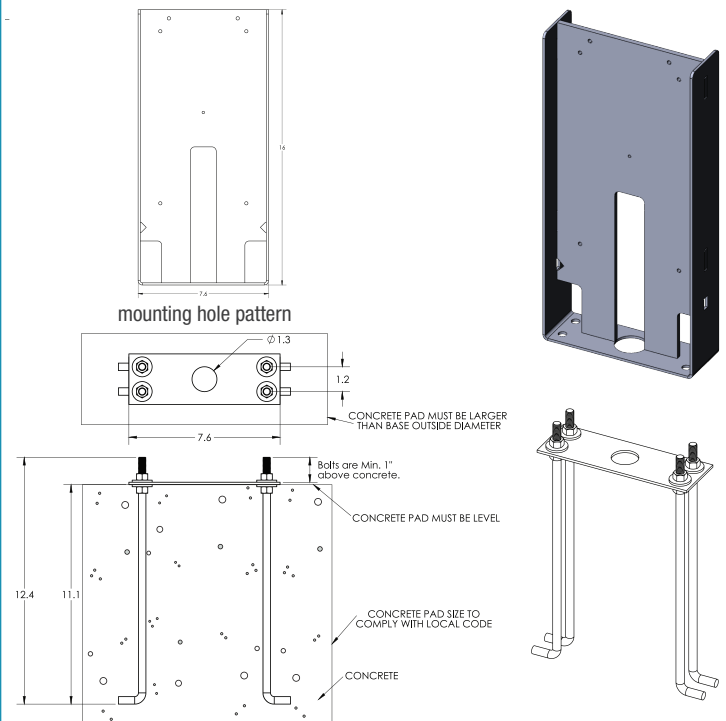
### PRODUCT DIMENSIONS - STANDARD PRODUCT



### MOUNTING

Mounting Plate Size	7.6" x 3"
Anchor Bolt Template Assembly	A00690

(Includes the below items listed)



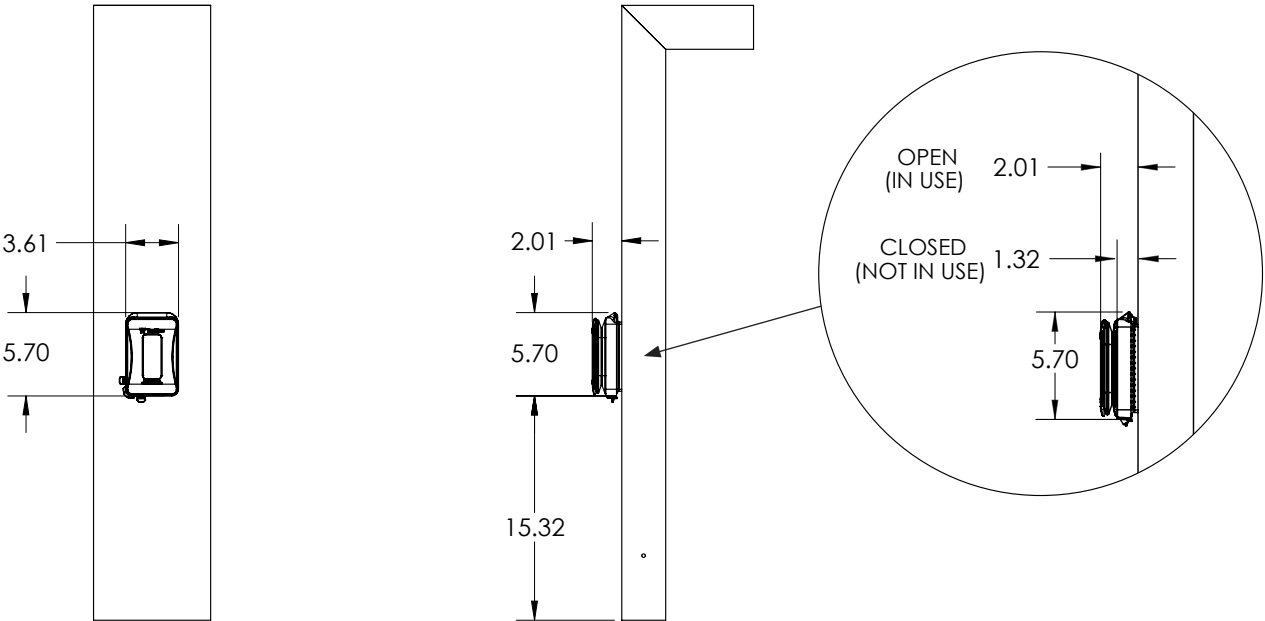
#	ANCHOR BOLT TEMPLATE ASSEMBLY (A00690) (Includes below items)	QTY.
1	3/8" x 12" x 1" L hook Anchor Bolt (94523B-4)	4
2	3/8" FLAT WASHER H-D GALV STEEL	8
3	ANCHOR BOLT WOOD TEMPLATE	1
4	ANCHOR BOLT LABEL	1
5	3/8"-16 HEX NUT H-D GALV STEEL	8
6	PLASTIC B.A.G. SEALED	1

Due to continuous development and improvements, specifications are subject to change without notice. Product use certifies agreement to FC Lighting terms and conditions.

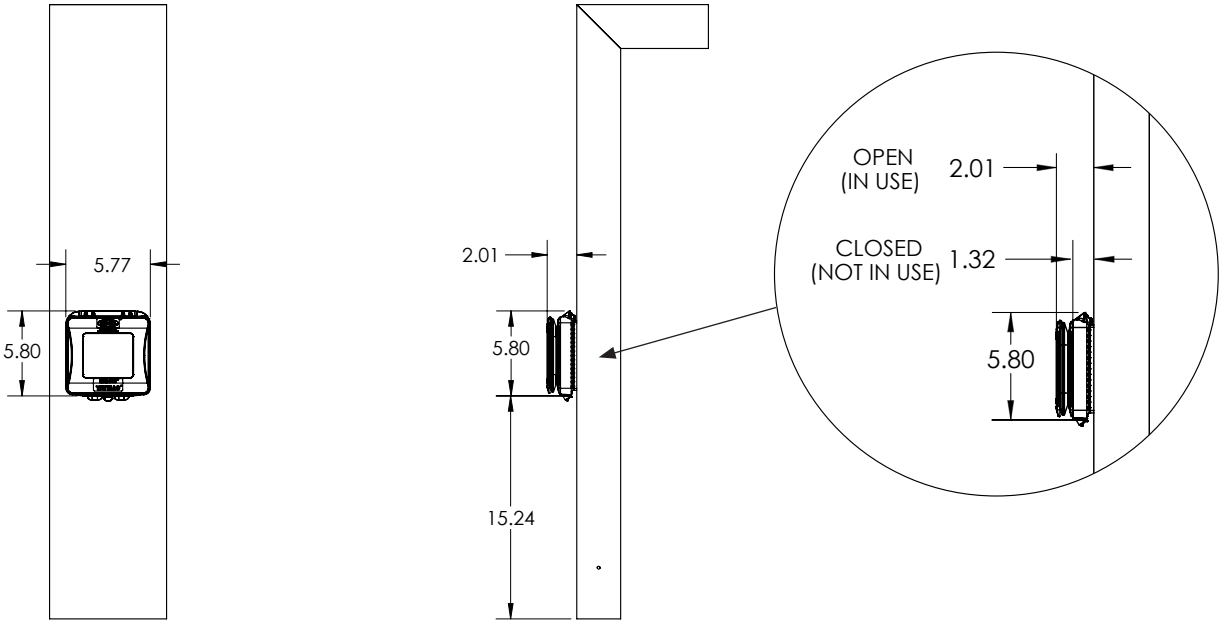


# Physical

## PRODUCT DIMENSIONS - SINGLE GANG GFCI OPTION



## PRODUCT DIMENSIONS - DOUBLE GANG GFCI OPTION



Due to continuous development and improvements, specifications are subject to change without notice. Product use certifies agreement to FC Lighting terms and conditions.

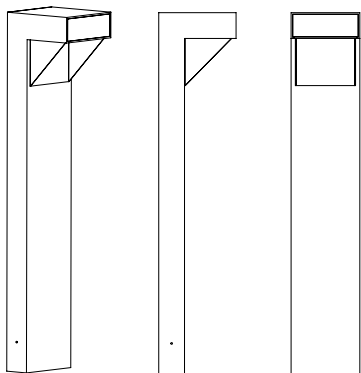


# Accessories

## OPTIONS

FIND IES FILES ON FCLIGHTING.COM

### HS - House Shield that blocks light out the sides

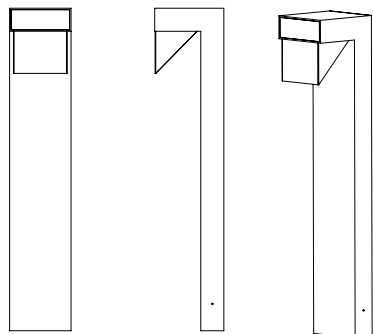


Use the 180° House Side Shield (HS) to protect beach side areas where luminaires are installed.

See wildlife luminaire regulations for specific requirements.

**HS Height:** 5.5" H

### HS2 - House Shield that blocks light out the front



Use the (HS2) front House Shield to protect beach side areas where luminaires are installed.

See wildlife luminaire regulations for specific requirements.

**HS Height:** 5.5" H

Due to continuous development and improvements, specifications are subject to change without notice. Product use certifies agreement to FC Lighting terms and conditions.

 US Commercial Lighting Manufacturer Since 1982

© FC Lighting 3609 Swenson Ave. • St. Charles, IL • 60174 | fclighting.com | 800.900.1730

Specification Sheet

AR-DM-032326