



FCBT690SA



Wildlife Lighting Certified
by the Florida Fish & Wildlife
Conservation Commission

Date: _____

Type: _____

Fixture: _____

Project: _____

Approved:

FCBT690SA Wildlife friendly, amber LED exterior die-cast aluminum square top bollard tower with right angle head position. Available in 24" height for the lower profile version in the FCBT690SA family. FCBT690SA has a true AMBER LED option which uses AlInGaP chip technology to produce amber color with spectral control between 590-600nm above the 560nm required by Florida Fish & Wildlife Conservation Commission (FWC).

SPECIFICATIONS

PHYSICAL	
dimensions	24" H x 5" W x 6.5" D at lamp (2" D at column)
weight	8 lbs
housing	Marine grade, corrosion resistant, heavy gauge aluminum
lens	Impact resistant, UV stabilized, opal, polycarbonate diffuser
mounting	Heavy wall base bracketing for bollard installation provides a unique mounting solution, so the tower body anchors flush to the ground without the appearance of a base plate, anchor bolts included
ingress protection	IP66 : dry, damp or wet locations
finish	Available in Black, Bronze, Graphite Grey, Silver, White and Custom Colors. Six stage chemical iron phosphate conversion pre-treatment. Polyester powder coat finish, 18 µm minimum, 5,000 hour salt spray test (ASTM B117) compliant with Florida / AAMA 2604 specification.

PERFORMANCE

color temperature	AMBER (no illumination below 560nm wavelength)
lumen output	500 lm
lumen maintenance	L70 > 70,000 hours
color consistency	3 SDCM / standard: 85 CRI
operating temperature	-13°F to 104°F (-25°C to 40°C)
warranty	5-Year limited warranty

ELECTRICAL

input voltage	Universal 120 - 277 VAC
power supply	Integral Class II
certification	ETL / cETL Listed, Wildlife Friendly Lighting Certification #2018-049
standards	UL 1598 / CSA C22.2 No. 250.0 - Class I / IES LM-79 / LM-80
power consumption	13W @ 120 - 277 VAC
dimming	0-10V (10%) standard

Due to continuous development and improvements, specifications are subject to change without notice.
Product use certifies agreement to FC Lighting terms and conditions.



Specification Sheet



Ordering Information

ORDERING INFORMATION									
SERIES	VOLTAGE	HEIGHT	COLOR	LUMENS (nominal)	FINISH	DIMMING	OPTIONS		
FCBT690SA	UNV	24 24"	AM Amber (590 - 600nm)	5L 500 lm (13W)	BKE Black	LD 0-10V Dimming (Standard) (10%)	SP Surge Protector		
				HS - 180° House Shield	BRE Bronze		HS 180° House Side Shield		
				4L 350 lm (13W)	GRE Graphite Grey		LAB ¹ Less Anchor Bolt Kit - for shipment separate of Anchor Bolt Kit		
					SLE Silver				
					WHE White				
					CCE Custom Color				

ANCHOR BOLT KITS

A00690S

Anchor Bolt Kit - Complete Anchor Bolt Kit shipped in advance of fixture.

¹ Note: Fixture must be mounted into FC Lighting supplied Anchor Bolt Kit shipped with or separate of fixture.

Consult Factory for other options and configurations.

To ensure you receive proper configurations for your lighting specifications, contact us directly about any unique application requirements. This may include but not be limited to lumen output, mounting needs, or electrical requirements.

Due to continuous development and improvements, specifications are subject to change without notice. Product use certifies agreement to FC Lighting terms and conditions.

 US Commercial Lighting Manufacturer Since 1982

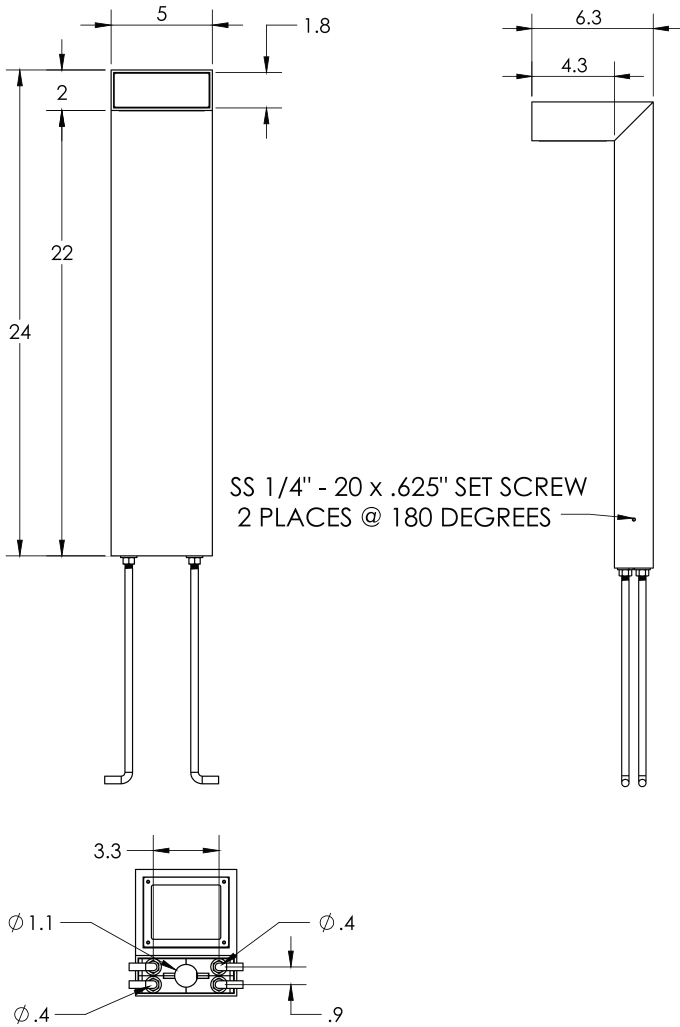
© FC Lighting 3609 Swenson Ave. • St. Charles, IL • 60174 | fclighting.com | 800.900.1730

Specification Sheet

GM-DM-073024



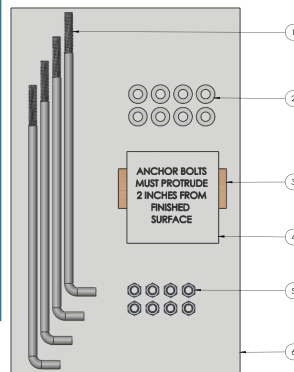
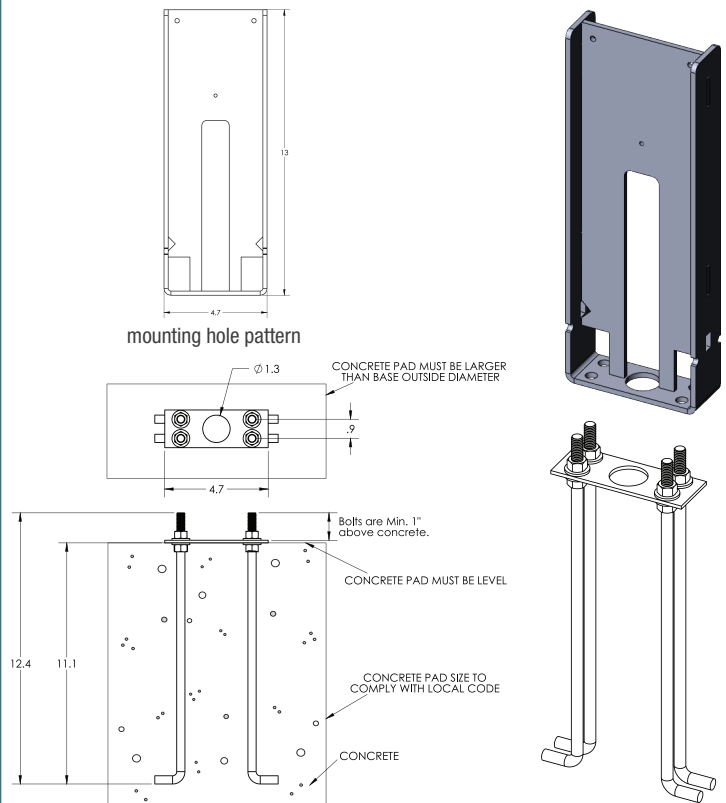
PRODUCT DIMENSIONS - STANDARD PRODUCT



MOUNTING

Mounting Plate Size	4.7" x 3"
Anchor Bolt Template Assembly	A00690S

(Includes the below items listed)



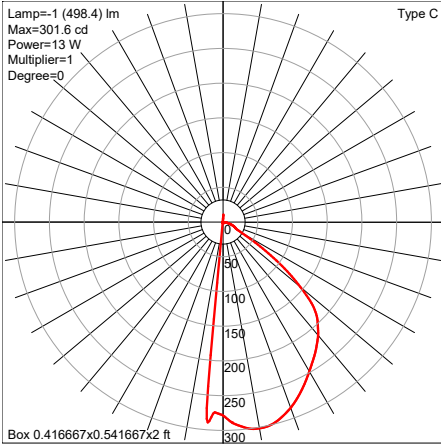
#	ANCHOR BOLT TEMPLATE ASSEMBLY (A00690S) (Includes below items)	QTY.
1	3/8" x 12" x 1" L hook Anchor Bolt (94523B-4)	4
2	3/8" x .812" OD FLAT WASHER H-D GALV STEEL	8
3	ANCHOR BOLT WOOD TEMPLATE	1
4	ANCHOR BOLT LABEL	1
5	3/8"-16 HEX NUT H-D GALV STEEL	8
6	PLASTIC BAG, SEALED	1

Due to continuous development and improvements, specifications are subject to change without notice. Product use certifies agreement to FC Lighting terms and conditions.

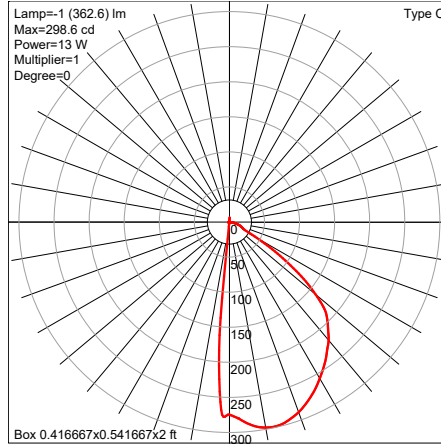


Photometry

OPTICAL DISTRIBUTION

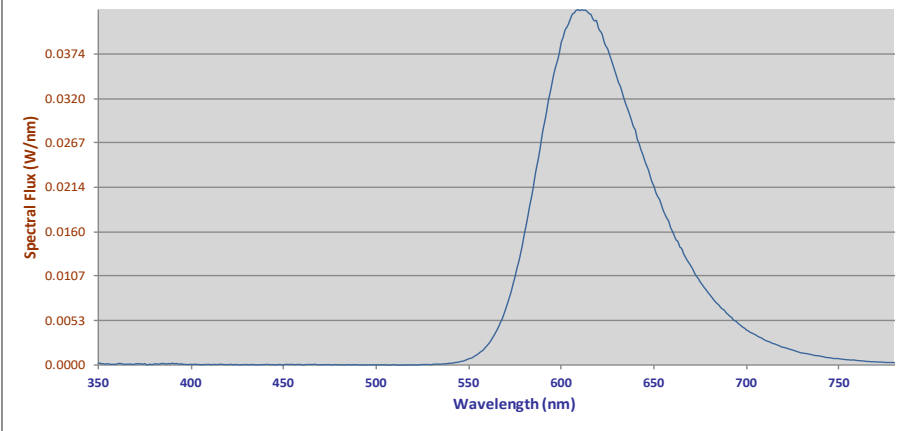


Manufacturer: FC LIGHTING
Luminaire catalog: FCBT690SA
Luminaire: FCBT690SA-UNV-24-AM-6L-BKE-LD



Manufacturer: FC LIGHTING
Luminaire catalog: FCBT690SA
Luminaire: FCBT690SA-UNV-24-AM-4L-BKE-LD-HS

Relative Spectral Power Distribution



Due to continuous development and improvements, specifications are subject to change without notice.
Product use certifies agreement to FC Lighting terms and conditions.

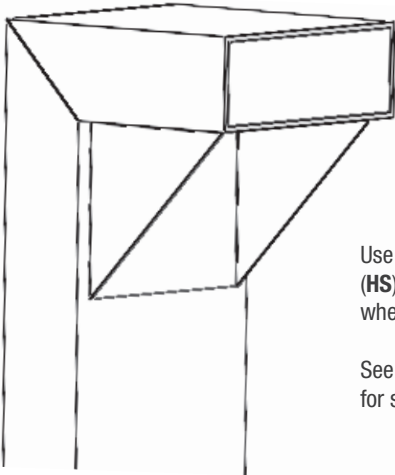


Accessories

OPTIONS

FIND IES FILES ON FCLIGHTING.COM

HS - 180° House Side Shield



Use the 180° House Side Shield (HS) to protect beach side areas where fixtures are installed.

See wildlife fixture regulations for specific requirements.

Due to continuous development and improvements, specifications are subject to change without notice. Product use certifies agreement to FC Lighting terms and conditions.

 US Commercial Lighting Manufacturer Since 1982

Specification Sheet