

FCC400/600-RGBW CYLINDERS — INSTALLATION INSTRUCTIONS (Surface Mount)

CAUTION: BEFORE CONNECTING THE LUMINAIRE TO A POWER SUPPLY, MAKE SURE THE POWER IS SWITCHED OFF.

Includes: FCC400/600-RGBW, FCCSQ400/600-RGBW



SINGLE SEGMENT CONFIGURATION EXAMPLES

GENERAL:

1. Luminaire must be installed by licensed electrician.
2. All electrical connections must be in accordance with local codes, ordinances, or the National Electrical Code.
3. Before starting the installation, make sure all electricity has been turned off and electrical breaker has been locked out and tagged out.
4. To ensure the success of the installation, be sure to read these instructions and review the diagrams thoroughly before beginning.

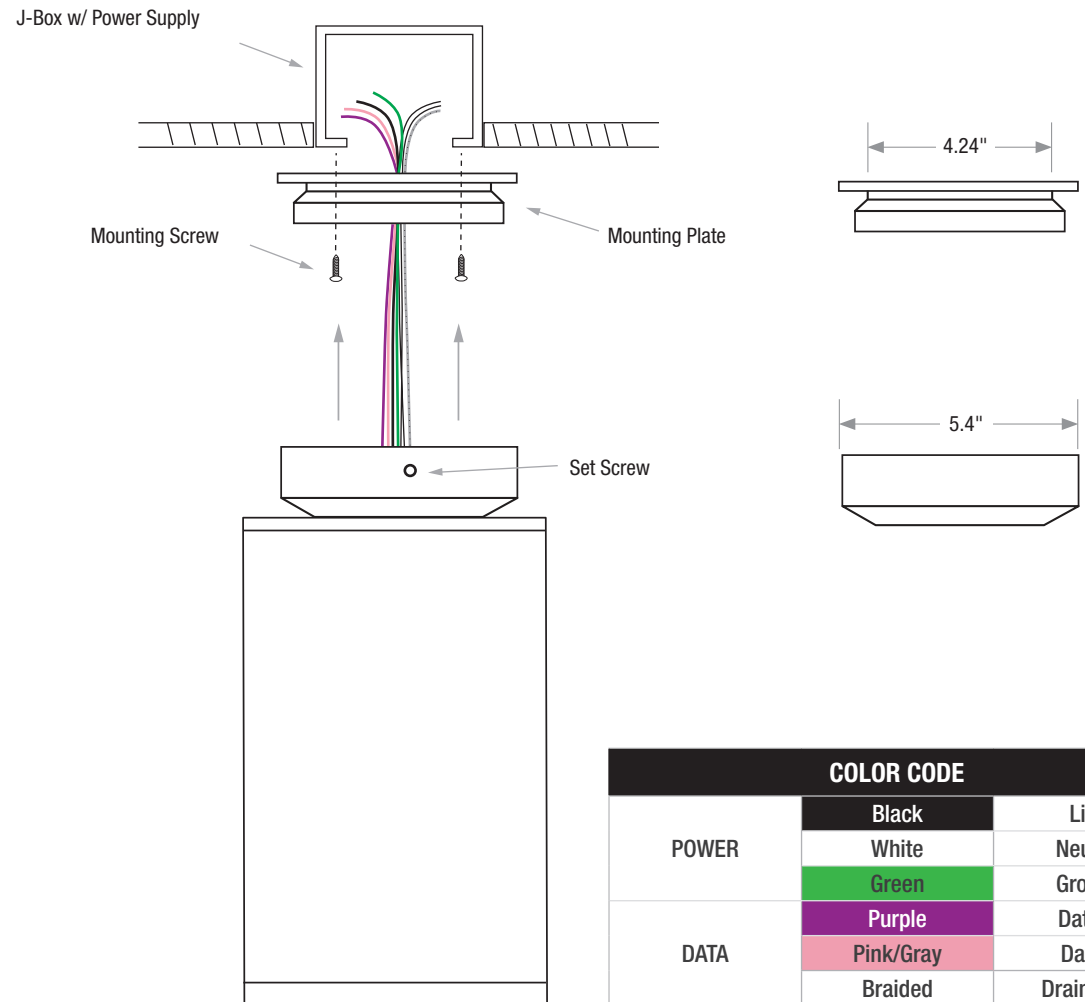
NOTE: The important safeguards and instructions appearing in this manual are not meant to cover all possible conditions and situations that may occur.

INSTALLATION INSTRUCTIONS:

- 1) Make the wiring connections at the J-Box. Then remove the Mounting Plate from the back of the cylinder by unscrewing the Set Screws.
- 2) Use J-Box Mounting Screws to fasten the Mounting Plate to the J-Box on the intended surface, it mounts to a standard sized J-Box.
- 3) Reattach the cylinder to the mounting plate using canopy Set Screws. Tighten them evenly to ensure luminaire is level.
- 4) For exterior applications, **installer must silicone caulk** the outer edge of the luminaire that comes in contact with the mounting surface. This is critical for a safe and reliable installation.
- 5) Restore power to circuit then test luminaire.

NOTE: LED lamping is integral and NOT intended for general servicing.

DETAILED ILLUSTRATION



FCC400/600-RGBW CYLINDERS — INSTALLATION INSTRUCTIONS (Wall Mount)

CAUTION: BEFORE CONNECTING THE LUMINAIRE TO A POWER SUPPLY, MAKE SURE THE POWER IS SWITCHED OFF.

Includes: FCC400/600-RGBW, FCCSQ400/600-RGBW



SINGLE SEGMENT CONFIGURATION EXAMPLES

GENERAL:

1. Luminaire must be installed by licensed electrician.
2. All electrical connections must be in accordance with local codes, ordinances, or the National Electrical Code.
3. Before starting the installation, make sure all electricity has been turned off and electrical breaker has been locked out and tagged out.
4. To ensure the success of the installation, be sure to read these instructions and review the diagrams thoroughly before beginning.

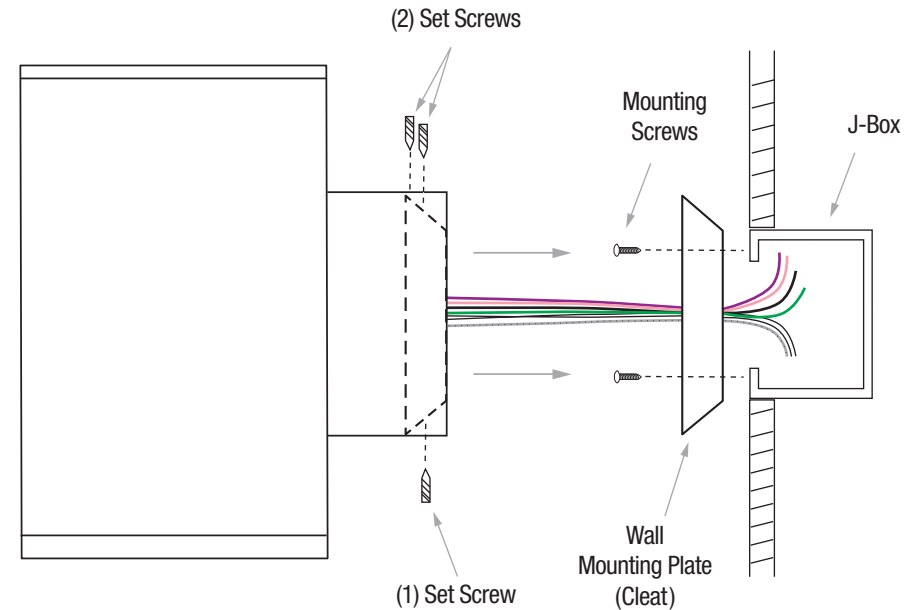
NOTE: The important safeguards and instructions appearing in this manual are not meant to cover all possible conditions and situations that may occur.

INSTALLATION INSTRUCTIONS:

- 1) Make the wiring connections at the J-Box. Then remove the Mounting Plate from the back of the cylinder by unscrewing the slotted Set Screws.
- 2) Use J-Box Mounting Screws to fasten the Mounting Plate to the J-Box on the intended surface.
- 3) Reattach the cylinder to the mounting plate using (2) top and (1) bottom Set Screws. Tighten them evenly to ensure luminaire is level.
- 4) For exterior applications, **installer must silicone caulk** the outer edge of the luminaire that comes in contact with the mounting surface. This is critical for a safe and reliable installation.
- 5) Restore power to circuit then test luminaire.

NOTE: LED lamping is integral and NOT intended for general servicing. J-Box varies per model. Match your model and J-Box from the chart below.

DETAILED ILLUSTRATION



COLOR CODE		
POWER	Black	Line
	White	Neutral
	Green	Ground
DATA	Purple	Data +
	Pink/Gray	Data -
	Braided	Drain Wire

FCC400/600-RGBW CYLINDERS — INSTALLATION INSTRUCTIONS (Wiring Diagram)

CAUTION: BEFORE CONNECTING THE LUMINAIRE TO A POWER SUPPLY, MAKE SURE THE POWER IS SWITCHED OFF.



Includes: FCC400/600-RGBW, FCCSQ400/600-RGBW

SINGLE SEGMENT CONFIGURATION EXAMPLES

STANDARD CONFIGURATION:

1. DMX-RDM Controller (**Figure 1**)
2. DMX Data Cable DXC-xx or CD-xx (CSC only) (**Figure 2**)
3. RGBW Cylinder (with standard 5-Pin cord whip) (**Figure 3**)
4. Controller Data Cables/DMX Cables are exterior rated (by others). (Belden 3105A or equivalent) CD-XX cables have male XLR at one end. (**Figure 4**)

AC POWER: Supplied by others in various methods; to each luminaire separately, in separate conduits, or in the same conduit (Cables with same voltage rating).

GENERAL:

1. Before starting the installation, make sure all electricity has been turned off and electrical breaker has been locked out and tagged out.
2. To ensure the success of the installation, be sure to read these instructions and review the diagrams thoroughly before beginning.
3. All electrical connections must be in accordance with local codes, ordinances, or the National Electrical Code.
4. Do not exceed the luminaire specified voltage.
5. The luminaire cord should be fed through the top knockout hole of the junction box.

NOTE: The important safeguards and instructions appearing in this manual are not meant to cover all possible conditions and situations that may occur.

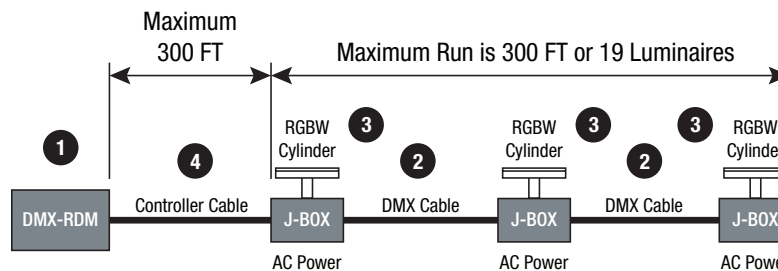
INSTALLATION:

1. Verify Physical Layout Plan
 - A. Ensure all hardware is present.
 - B. Ensure all electrical feeds are correctly positioned with all hardware and any other active components.
 - C. Confirm DMX Addressing Plan.
 - i. FC Lighting recommends pre-addressing luminaires before mounting installation.
 - ii. Ensure that addressing is documented for future upgrading, configuring, or troubleshooting.
 - iii. Create an addressing table to document all luminaire IDs and their physical location.

NOTICE:

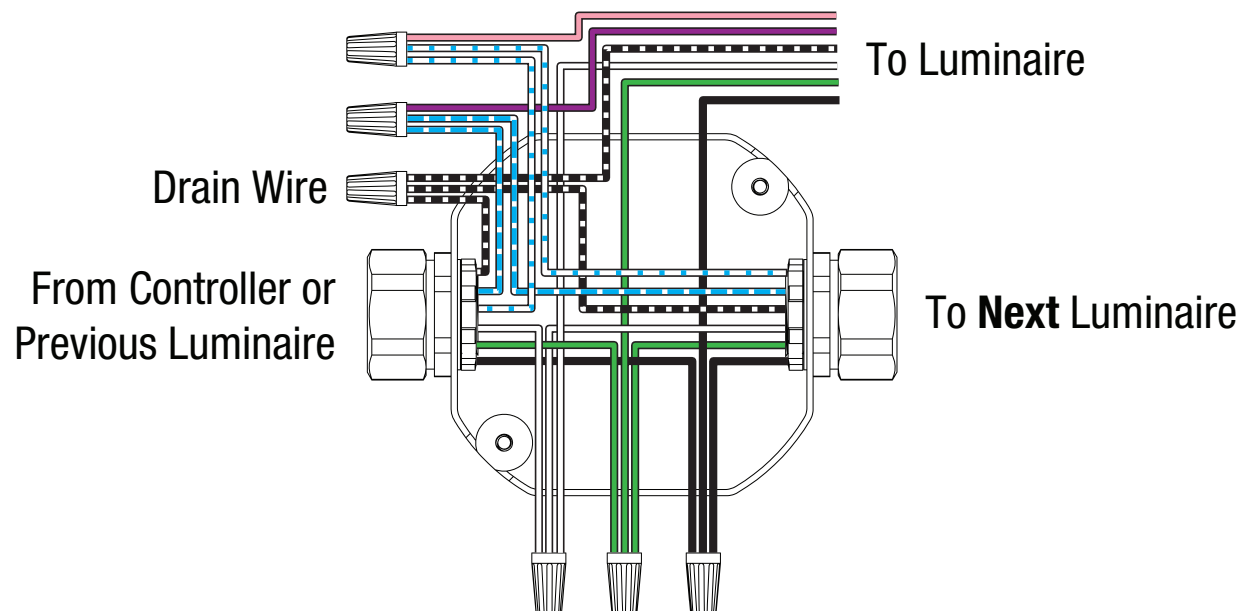
- UL wiring details shown
- **DMX terminator is required at the end of each run to maintain data integrity (TCAPFIELD)**

DETAILED ILLUSTRATION



COLOR CODE		
POWER	Black	Line
	White	Neutral
	Green	Ground
DATA	Purple	Data +
	Pink/Gray	Data -
	Braided	Drain Wire

DMX / RDM DAISY CHAIN LAYOUT FIRST OR MIDDLE RUN



FCC400/600-RGBW CYLINDERS — INSTALLATION INSTRUCTIONS (Wiring Diagram)

CAUTION: BEFORE CONNECTING THE LUMINAIRE TO A POWER SUPPLY, MAKE SURE THE POWER IS SWITCHED OFF.



Includes: FCC400/600-RGBW, FCCSQ400/600-RGBW

SINGLE SEGMENT CONFIGURATION EXAMPLES

STANDARD CONFIGURATION:

1. DMX-RDM Controller (**Figure 1**)
2. DMX Data Cable DXC-xx or CD-xx (CSC only) (**Figure 2**)
3. RGBW Cylinder (with standard 5-Pin cord whip) (**Figure 3**)
4. Controller Data Cables/DMX Cables are exterior rated (by others). (Belden 3105A or equivalent) CD-XX cables have male XLR at one end. (**Figure 4**)

AC POWER: Supplied by others in various methods; to each luminaire separately, in separate conduits, or in the same conduit (Cables with same voltage rating).

GENERAL:

1. Before starting the installation, make sure all electricity has been turned off and electrical breaker has been locked out and tagged out.
2. To ensure the success of the installation, be sure to read these instructions and review the diagrams thoroughly before beginning.
3. All electrical connections must be in accordance with local codes, ordinances, or the National Electrical Code.
4. Do not exceed the luminaire specified voltage.
5. The luminaire cord should be fed through the top knockout hole of the junction box.

NOTE: The important safeguards and instructions appearing in this manual are not meant to cover all possible conditions and situations that may occur.

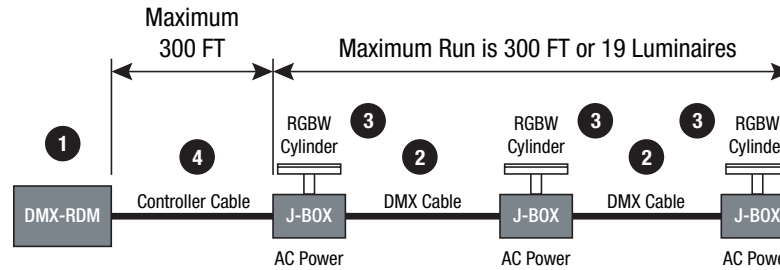
INSTALLATION:

1. Verify Physical Layout Plan
 - A. Ensure all hardware is present.
 - B. Ensure all electrical feeds are correctly positioned with all hardware and any other active components.
- C. Confirm DMX Addressing Plan.
 - i. FC Lighting recommends pre-addressing luminaires before mounting installation.
 - ii. Ensure that addressing is documented for future upgrading, configuring, or troubleshooting.
 - iii. Create an addressing table to document all luminaire IDs and their physical location.

NOTICE:

- UL wiring details shown
- **DMX terminator is required at the end of each run to maintain data integrity (TCAPFIELD)**

DETAILED ILLUSTRATION



COLOR CODE		
POWER	Black	Line
	White	Neutral
	Green	Ground
DATA	Purple	Data +
	Pink/Gray	Data -
	Braided	Drain Wire
TCAPFIELD	TCAPFIELD	Termination

DMX / RDM DAISY CHAIN LAYOUT END OF THE RUN

