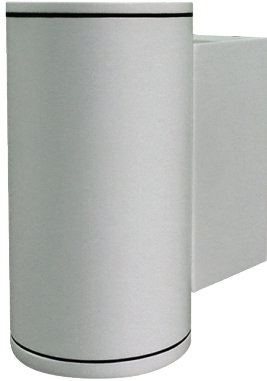


FCC400 Four-Inch Round Cylinder – Wall, Pendant, or Surface Mount Down Lighting

Remote Driver with Battery Backup



FEATURES

- Up to 3000 lumens (4000K)
- Remote Driver with Battery Backup options
- Clear anti-glare tempered glass lens (IK08)
- The Soft Field Lens option provides diffusion, reduces glare, and enhances visual comfort
- Multiple housing colors
- 0-10V 1% Dimming (Standard)
- 93 CRI with 2 SDCM

PERFORMANCE

Beam Spread: 15°, 25°, 50°, 72°, 90°
CCT Options: 2700K, 3000K, 3500K, 4000K
CRI: 93 CRI
Consistency: 2 SDCM (Luminaire to Luminaire)
Lumens: 500 - 3000 lumens
Lumen Maintenance: L70 > 70,000 hours

PHYSICAL

Mounting: Mounts directly to standard recessed junction box with wall mount or twist-lock canopy. Additional holes allow unit to be attached directly to mounting surface. Not intended for open ceilings or surface mount conduit j-box applications. Recessed j-box must be flush with finished wall or ceiling surface.

Housing: Heavy-walled, extruded aluminum housing with high pressure die-cast lens ring and cap with stainless steel hardware.

Finish: Available in Black, Bronze, Graphite Grey, Silver, White and Custom Colors. Six stage chemical iron phosphate conversion pre-treatment. Polyester powder coat finish, 18 µm minimum, 5,000 hour salt spray test (ASTM B117) compliant with Florida / AAMA 2604 specification.

Warranty: 5-Year limited warranty

Lens: IK08 impact compliant, clear anti-glare tempered glass

Ingress Protection: Continuous silicone gasket to seal out contaminants, IP65 rated for dry, damp or wet locations. SF and SPM options are rated IP65 for cover ceiling application only.

Weight: 8-12 lbs (Depending on Length)

Operating Temperature: -22°F to 122°F (-30°C to 50°C)

ELECTRICAL

Voltage: Universal 120 - 277 VAC standard, 347 VAC optional

Power Supply: Integral Class II, electronic high-power factor > .90, THD < 20%, FCC Title 47 Part 15 Class A.

Power Consumption: Maximum 35W

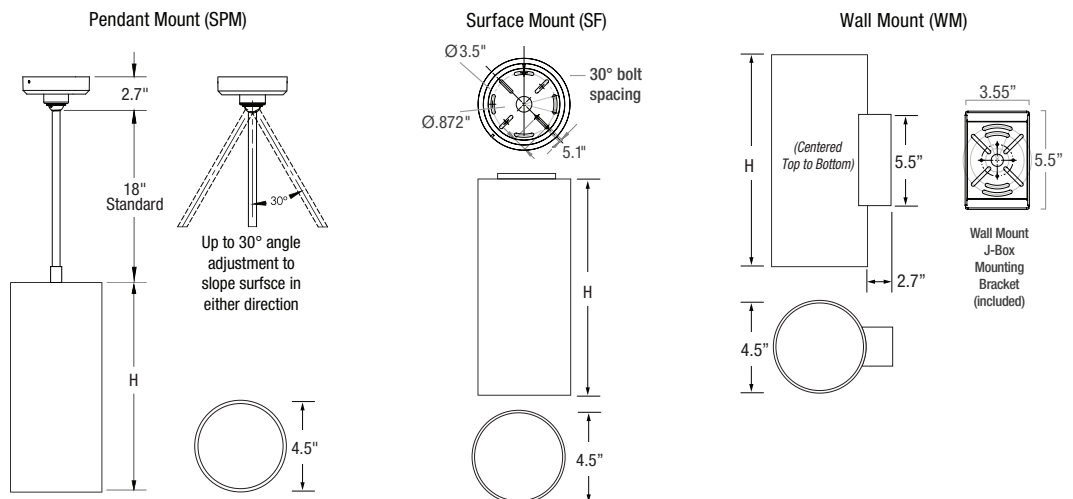
Dimming: standard: 0-10V, 1% Dimming, **optional:** ELV, TRIAC, dim to off, DMX, DALI

Standards:

- cETLus Listed, CE, NOM, and RoHS Compliant.
- Wet location listed for wall or ceiling mount IP65 Ingress protection.
- 1.5G (ANSI C136.31) Vibration resistance rated.
- IK08 (IEC6226) Impact resistance rated.
- IESNA LM79 Photometric testing by NVLAP accredited test lab.
- IESNA LM80 LED testing by NVLAP accredited test lab.
- IESNA TM21 Luminaire lumen depreciation projection to > 70,000 hours.

PHYSICAL DIMENSIONS

Luminaire	Height (H)
FCC400R-10	10.95" Height
FCC400R-12	12.95" Height
FCC400R-14	14.95" Height
FCC400R-16	16.95" Height
FCC400R-18	18.95" Height
FCC400R-20	20.95" Height



FCC400 Four-Inch Round Cylinder – Wall, Pendant, or Surface Mount Down Lighting

PRODUCT CODE

EXAMPLE: FCC400R-10-SPM-18-UNV-927-05L-BKE-15-ET-CV

MODEL	HEIGHT	MOUNTING	SUSP. LENGTH	VOLTAGE	COLOR	LUMENS	FINISH	OPTIC	DIMMING	OPTIONS	BATTERY/REMOTE DRIVER
FCC400R											

MODEL
FCC400R
 LED DRIVER REMOTE (INDOOR)
 IP20, IK08, NEMA 1, -20°C to +50°C,
 30' MAX Distance with 12AWG.
 *Consult factory for outdoor remote driver only.

HEIGHT

10	10.95" Height
12	12.95" Height
14	14.95" Height
16	16.95" Height
18	18.95" Height
20	20.95" Height

MOUNTING

SPM	Slope Pendant
SF	Surface
WM	Wall

SPM LENGTH

Specify the optional suspension length in inches. (Top of luminaire to ceiling) (SPM 18" Standard, 6"-120" Max; 61"-120" w/LD & ET Only and stem comes in 2 sections) *Consult factory & price guide for other lengths.

VOLTAGE

UNV	Universal 120 - 277 VAC
347V	347 VAC

COLOR

927	(93CRI) 2700K
930	(93CRI) 3000K
935	(93CRI) 3500K
940	(93CRI) 4000K

LUMENS typical

05L	500 lm
10L	1000 lm
15L	1500 lm
20L	2000 lm
25L	2500 lm
30L	3000 lm

FINISH

BKE	Black
BRE	Bronze
GRE	Graphite Grey
SLE	Silver
WHE	White
CCE	Custom Color

OPTIC typical

15	Spot (15°) (20L Max)
25	Narrow Flood (25°)
50	Flood (50°)
72	Wide Flood (72°)
90	Flat (90°)

w/SOFT FIELD

15S	Spot (15°) (20L Max)
25S	Narrow Flood (25°)
50S	Flood (50°)
72S	Wide Flood (72°)
90S	Flat (90°)

DIMMING

ET	ELV or TRIAC Driver (120V Phase Dimming w/ UNV Driver) (20L-30L Only)
LD	0-10V Dimming, 1% (Standard)

*All drivers listed above are remote.

OPTIONS

CV	Cut-Off Visor (Down Only)
-----------	---------------------------

BATTERY/REMOTE DRIVER

BBUR	BATTERY BACK-UP & LED DRIVER REMOTE (INDOOR), IP20, IK08, NEMA 1, 0°C to +48°C, 30' MAX Distance with 12AWG (w/UNV Option Only)
BBUX	BATTERY BACK-UP & LED DRIVER REMOTE (OUTDOOR), IP67, IK10, NEMA 4X, -20°C to +55°C, 30' MAX Distance with 12AWG (w/UNV Option Only)
DRR	LED Driver Only Remote (INDOOR) 30' MAX Distance with 12AWG (w/UNV Option Only)
DRX	LED Driver Only Remote (OUTDOOR) 30' MAX Distance with 12AWG (w/UNV Option Only)

FCC400 Four-Inch Round Cylinder – Wall, Pendant, or Surface Mount Down Lighting

LUMENS / WATTAGE typical

Model	Watts	940
FCC400R	5 W (Min)	500 lm (Min)
	35 W (Max)	3000 lm (Max)

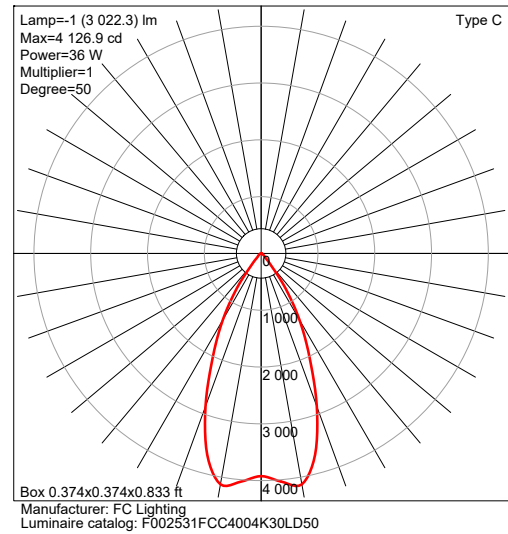
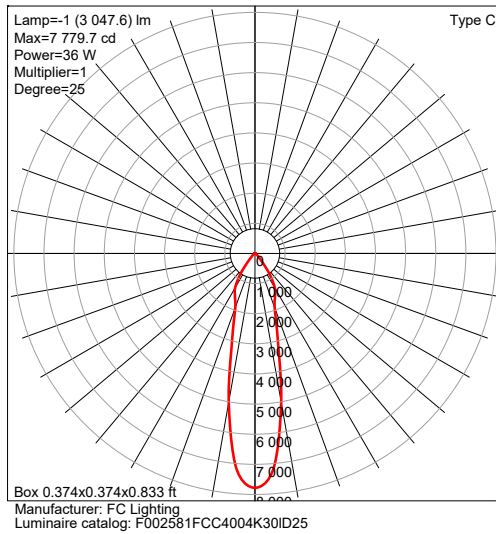
IES Multiplier	
Color	Multiplier
927	0.93
930	0.97
935	0.99
940	1.00

*83CRI@1.15 Consult factory.

TRIAC & ELV Approved Dimmer List	
Manufacturer	Manufacturer Part Number
Lutron	Glyder GLV-600
	Diva DVLV-600P
	Diva DV-600P
	Diva DVELV-600P(303)
	Maestro MALV-600
	Nova T NT-1000
	Nova T NTELV-600
Leviton	Skylark SLV-600P
	RadioRA2-10ND
	SureSlide 6633
	Illumatech IPE04

0-10V Approved Dimmer List	
Manufacturer	Manufacturer Part Number
Lutron	Diva DVSTV-XX
	Diva DVSTV-453PH-WH1
Leviton	Illumatech 010-IP710-DLZ

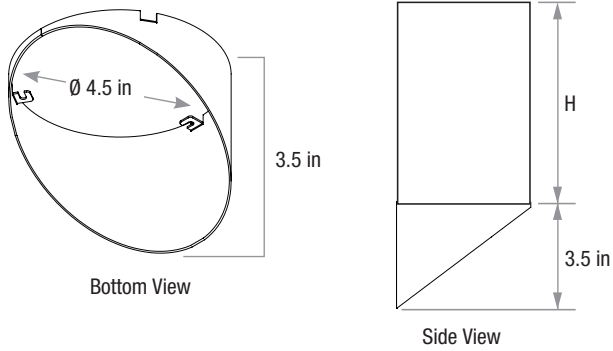
PHOTOMETRICS



FCC400 Four-Inch Round Cylinder – Wall, Pendant, or Surface Mount Down Lighting

MORE DIMENSIONS

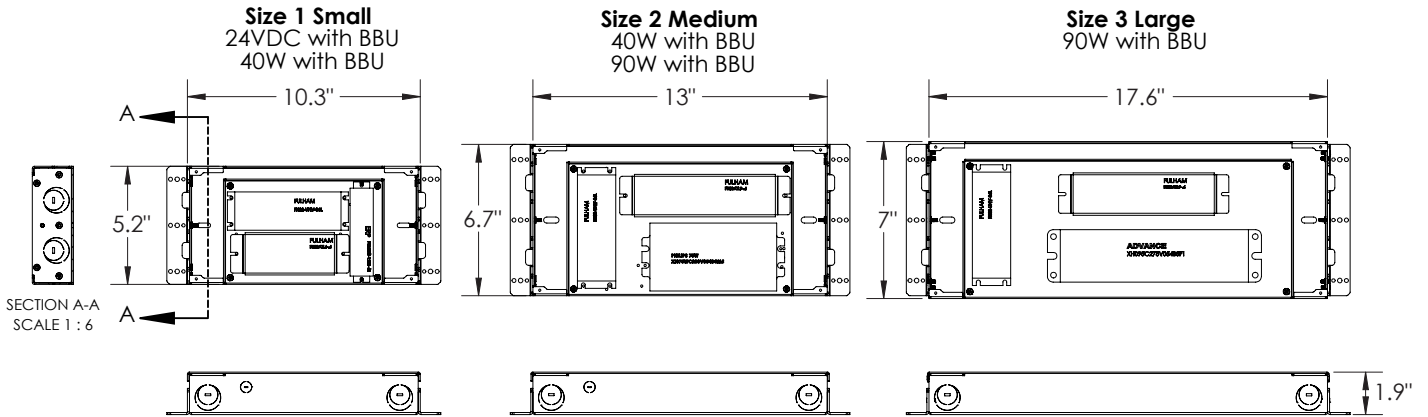
Cut-Off Visor (CV) *(Down Only)*



FCC400 Four-Inch Round Cylinder – Wall, Pendant, or Surface Mount Down Lighting

BATTERY BACK-UPS

BBUR - BATTERY BACK-UP & LED DRIVER REMOTE (INDOOR), IP20, IK08, NEMA 1, 0°C to +48°C, 30' MAX Distance with 12AWG (w/UNV Option Only)



BBUX - BATTERY BACK-UP & LED DRIVER REMOTE (OUTDOOR), IP67, IK10, NEMA 4X, -20°C to +55°C, 30' MAX Distance with 12AWG (w/UNV Option Only)

