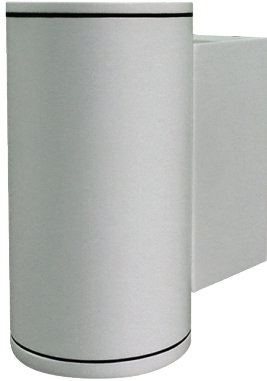


FCC400 Four-Inch Round Cylinder – Wall, Pendant, or Surface Mount Down Lighting

Standard Drivers without Battery Backup



FEATURES

- Up to 3500 lumens (4000K)
- Multiple mounting options
- Clear lens with anti-glare tempered glass (IK08)
- The Soft Field Lens option provides diffusion, reduces glare, and enhances visual comfort.
- Multiple housing colors
- 0-10V 1% Dimming (Standard)
- 93 CRI with 2 SDCM

PERFORMANCE

Beam Spread: 15°, 25°, 50°, 72°, 90°
CCT Options: 2700K, 3000K, 3500K, 4000K
CRI: 93 CRI
Consistency: 2 SDCM (Luminaire to Luminaire)
Lumens: 500 - 3500 lumens (typical)
Lumen Maintenance: L70 > 70,000 hours

PHYSICAL

Mounting: Mounts directly to standard recessed junction box with wall mount or twist-lock canopy. Additional holes allow unit to be attached directly to mounting surface. Not intended for open ceilings or surface mount conduit j-box applications. Recessed j-box must be flush with finished wall or ceiling surface.

Housing: Heavy-walled, extruded aluminum housing with high pressure die-cast lens ring and cap with stainless steel hardware.

Finish: Available in Black, Bronze, Graphite Grey, Silver, White and Custom Colors. Six stage chemical iron phosphate conversion pre-treatment. Polyester powder coat finish, 18 µm minimum, 5,000 hour salt spray test (ASTM B117) compliant with Florida / AAMA 2604 specification.

Warranty: 5-Year limited warranty

Lens: IK08 impact compliant, clear anti-glare tempered glass

Ingress Protection: Continuous silicone gasket to seal out contaminants, IP65 rated for dry, damp or wet locations. SF and SPM options are rated IP65 for cover ceiling application only.

Weight: 8-12 lbs (Depending on Length)

Operating Temperature: -22°F to 122°F (-30°C to 50°C)

ELECTRICAL

Voltage: Universal 120 - 277 VAC, 347 VAC optional

Power Supply: Integral Class II, electronic high-power factor >.90, THD < 20%, FCC Title 47 Part 15 Class A.

Power Consumption: Maximum 46W

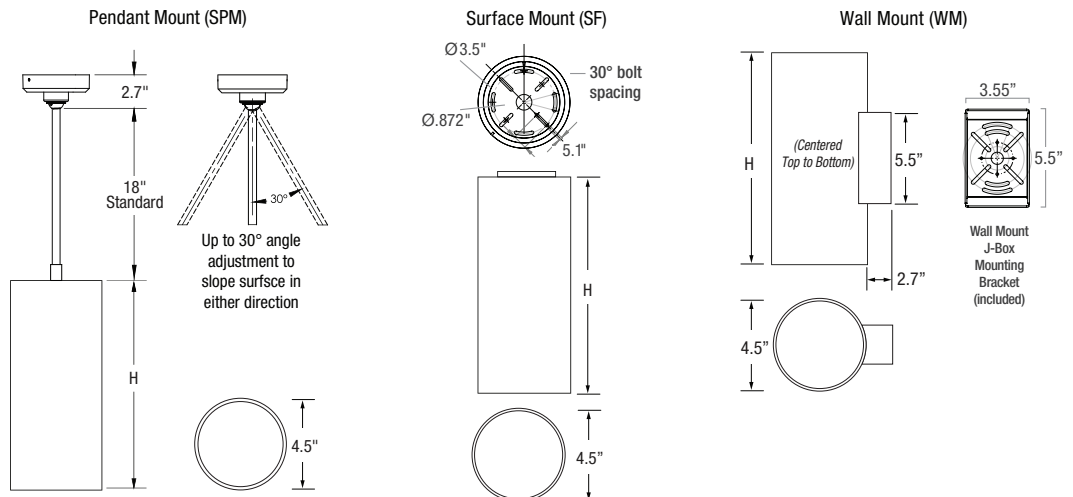
Dimming: Standard: 0-10V, 1%, **Optional:** ELV, TRIAC, dim to off

Standards:

- cETLus Listed, CE, NOM, and RoHS Compliant.
- Wet location listed for wall or ceiling mount IP65 Ingress protection.
- 1.5G (ANSI C136.31) Vibration resistance rated.
- IK08 (IEC6226) Impact resistance rated.
- IESNA LM79 Photometric testing by NVLAP accredited test lab.
- IESNA LM80 LED testing by NVLAP accredited test lab.
- IESNA TM21 Luminaire lumen depreciation projection to > 70,000 hours.

PHYSICAL DIMENSIONS

Luminaire	Height
FCC400-10	10.95" Height
FCC400-12	12.95" Height
FCC400-14	14.95" Height
FCC400-16	16.95" Height
FCC400-18	18.95" Height
FCC400-20	20.95" Height



Date: _____
 Type: _____
 Luminaire: _____
 Project: _____

Approved: _____

FCC400 Four-Inch Round Cylinder Down Lighting

PRODUCT CODE

EXAMPLE: FCC400-10-SPM-18-UNV-927-05L-BKE-25-ET-CV

MODEL	HEIGHT	MOUNTING	SUSP. LENGTH	VOLTAGE	COLOR	LUMENS	FINISH	OPTIC	DIMMING	OPTIONS
FCC400										

MODEL
FCC400

HEIGHT

10	10.95" Height
12	12.95" Height
14	14.95" Height
16	16.95" Height
18	18.95" Height
20	20.95" Height

MOUNTING

SPM	Slope Pendant
SF	Surface
WM	Wall

SPM LENGTH

Specify the optional suspension length in inches. (Top of luminaire to ceiling) (SPM 18" Standard, 6"-120" Max; 61"-120" w/LD & ET Only and stem comes in 2 sections) *Consult factory & price guide for other lengths.

VOLTAGE

UNV	Universal 120 - 277 AC
347V	347 VAC (20L - 35L options only; for 15 degree, 20L - 25L options only)

COLOR

927	(93CRI) 2700K
930	(93CRI) 3000K
935	(93CRI) 3500K
940	(93CRI) 4000K

Other CCT/CRI available upon request.

LUMENS typical

05L	500 lm
10L	1000 lm
15L	1500 lm
20L	2000 lm
25L	2500 lm
30L	3000 lm (Minimum 14")
35L	3500 lm (Minimum 14")

FINISH

BKE	Black
BRE	Bronze
GRE	Graphite Grey
SLE	Silver
WHE	White
CCE	Custom Color

OPTIC typical

15	Spot (15°) (Max 30L)
25	Narrow Flood (25°)
50	Flood (50°)
72	Wide Flood (72°)
90	Flat (90°)

w/SOFT FIELD

15S	Spot (15°) (Max 30L)
25S	Narrow Flood (25°)
50S	Flood (50°)
72S	Wide Flood (72°)
90S	Flat (90°)

Soft Field average light loss factor is 0.97

DIMMING

ET	ELV or TRIAC Driver (120V Phase Dimming w/ UNV Driver) (05L - 35L options only)*
LD	0-10V Dimming, 1% (Standard)

**15 and 15S Beam Angle maximum 30L on ET Option*

OPTIONS

CV	Cut-Off Visor
-----------	---------------

FCC400 Four-Inch Round Cylinder Down Lighting

LUMENS / WATTAGE typical

Model	Watts	Lumens
FCC400	6.4 W	500 lm
15°	12 W	1000 lm
	19 W	1500 lm
	26 W	2000 lm
	34 W	2500 lm
	46 W	3000 lm

Model	Watts	Lumens
FCC400	6.4 W	500 lm
25°, 50°, 72°, 90°	12 W	1000 lm
	17 W	1500 lm
	23 W	2000 lm
	30 W	2500 lm
	36 W	3000 lm
	42 W	3500 lm

Lifetime Calculations				
Model	L70	L70	L90	L90
	Calculated	Reported	Calculated	Reported
FCC400	133600	>60500	41200	41200

*Specific Lumen Output Lifetime available upon request.
*All lifetimes based on B50.

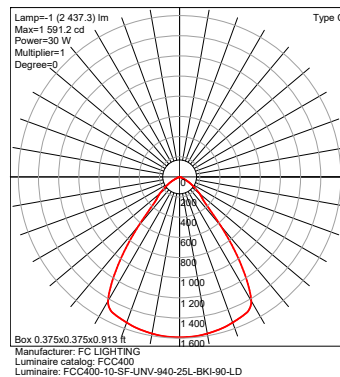
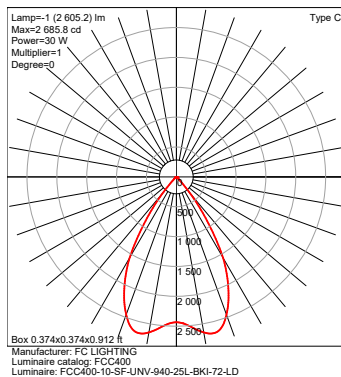
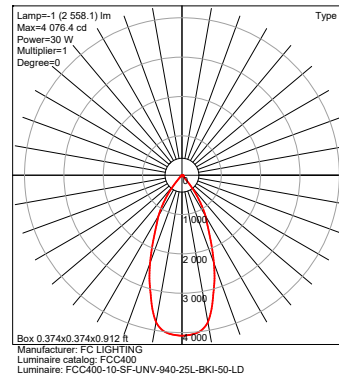
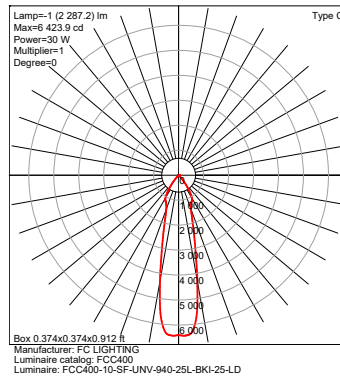
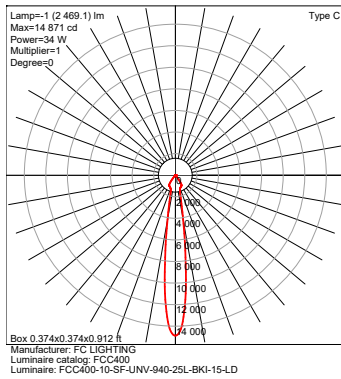
IES Multiplier	
Color	Multiplier
927	0.92
930	0.95
935	0.98
940	1.00

*83CR1s1.15 Consult factory.

TRIAC & ELV Approved Dimmer List	
Manufacturer	Manufacturer Part Number
Lutron	Glyder GLV-600
	Diva DVLV-600P
	Diva DV-600P
	Diva DVELV-600P(303)
	Maestro MALV-600
	Nova T NT-1000
	Nova T NTELV-600
Leviton	Skylark SLV-600P
	RadioRA2-10ND
	SureSlide 6633
illumatech IPE04	

0-10V Approved Dimmer List	
Manufacturer	Manufacturer Part Number
Lutron	Diva DVSTV-XX
	Diva DVSTV-453PH-WH1
Leviton	illumatech 010-IP710-DLZ

PHOTOMETRICS



Due to continuous development and improvements, specifications are subject to change without notice.

Product use certifies agreement to FC Lighting, Inc. terms and conditions.

© FC Lighting, Inc. 3609 Swenson Ave • St. Charles, IL • 60174 | fclighting.com | 800.900.1730

US Commercial Lighting Manufacturer Since 1982

RG-DM-010826

FCC400 Four-Inch Round Cylinder Down Lighting

OPTIONS

Cut-Off Visor (CV)

