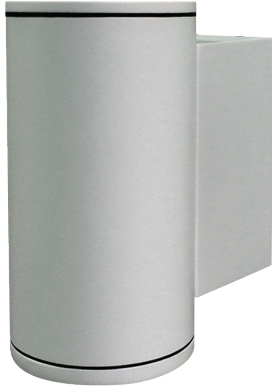


Date:	Approved:
Type:	
Fixture:	
Project:	

# FCC400 Four-Inch Round Cylinder – Wall Mount Up/Down or Up Lighting

## Standard Drivers without Battery Backup



### FEATURES

- Up to 3500 single-direction lumens (4000K)
- Operating Environment -22°F to 122°F (-30°C to 50°C)
- Clear lens with anti-glare tempered glass (IK08)
- The Soft Field Lens option provides diffusion, reduces glare, and enhances visual comfort.
- Multiple housing colors
- Tri-Dimming (standard)
- 93 CRI with 2 SDCM

### PERFORMANCE

- Beam Spread:** 15°, 25°, 50°, 72°, 90°
- CCT Options:** 2700K, 3000K, 3500K, 4000K
- CRI:** 93 CRI
- Consistency:** 2 SDCM (Luminaire to Luminaire)
- Lumens:** 500 - 3500 lumens (typical)
- Lumen Maintenance:** L70 > 70,000 hours

### PHYSICAL

**Mounting:** Mounts directly to standard recessed junction box. Additional holes allow unit to be attached directly to mounting surface.

**Housing:** Heavy-walled, extruded aluminum housing with high pressure die-cast lens ring and cap with stainless steel hardware.

**Finish:** Available in Black, Bronze, Graphite Grey, Silver, White and Custom Colors. Six stage chemical iron phosphate conversion pre-treatment. Polyester powder coat finish, 18 µm minimum, 5,000 hour salt spray test (ASTM B117) compliant with Florida / AAMA 2604 specification.

**Warranty:** 5-Year limited warranty

**Lens:** IK08 impact compliant, clear anti-glare tempered glass

**Ingress Protection:** Continuous silicone gasket to seal out contaminants, IP65 rated for dry, damp or wet locations.

**Weight:** 8-12 lbs (Depending on Length)

**Operating Temperature:** -22°F to 122°F (-30°C to 50°C)

### ELECTRICAL

**Voltage:** Universal 120 - 277 VAC, 347 VAC optional (1 integral driver only)

**Power Supply:** Integral Class II, electronic high-power factor >.90, THD < 20%, FCC Title 47 Part 15 Class A.

**Power Consumption:** Maximum 46W

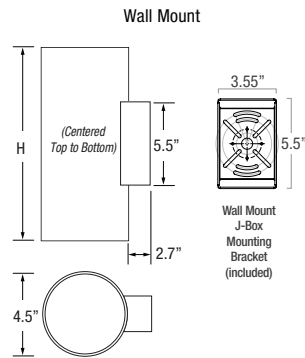
**Dimming: standard:** Tri-Dim (1%, 0-10V, 120 - 277 VAC), (1%, TRIAC & ELV, 120 VAC Only)

**Standards:**

- cETLus Listed, CE, NOM, and RoHS Compliant.
- Wet location listed for wall or ceiling mount IP65 Ingress protection.
- IK08 (IEC6226) Impact resistance rated.
- IESNA LM79 Photometric testing by NVLAP accredited test lab.
- IESNA LM80 LED testing by NVLAP accredited test lab.
- IESNA TM21 Luminaire lumen depreciation projection to > 70,000 hours.

### PHYSICAL DIMENSIONS

Luminaire	Height
FCC410W	10.95" Height (1 Integral Driver Only)
FCC412W	12.95" Height (1 Integral Driver Only)
FCC414W	14.95" Height
FCC416W	16.95" Height
FCC418W	18.95" Height
FCC420W	20.95" Height
	(All above are Wall Mount Standard)



Date: \_\_\_\_\_  
 Type: \_\_\_\_\_  
 Fixture: \_\_\_\_\_  
 Project: \_\_\_\_\_

Approved: \_\_\_\_\_

# FCC400 Four-Inch Round Cylinder Up/Down or Up Lighting

## PRODUCT CODE

EXAMPLE: FCC410W-UNV-927-505L-BKE-D15U15-TD

MODEL	VOLTAGE	COLOR	LUMENS	FINISH	DOWN OPTICS	UP OPTICS	DIMMING	OPTIONS
<b>MODEL</b>			<b>DOWN LUMENS (typical)</b>		<b>DOWN OPTICS (typical)</b>			<b>UP OPTICS</b>
<b>FCC410W</b>	10.95" Height (1 Integral Driver Only)		<b>NO</b>	No Light Option	<b>D15</b>	Spot (15°)		<b>U15</b>
<b>FCC412W</b>	12.95" Height (1 Integral Driver Only)		<b>05</b>	500 lm	<b>D25</b>	Narrow Flood (25°)		<b>U25</b>
<b>FCC414W</b>	14.95" Height		<b>10</b>	1000 lm	<b>D50</b>	Flood (50°)		<b>U50</b>
<b>FCC416W</b>	16.95" Height		<b>15</b>	1500 lm	<b>D72</b>	Wide Flood (72°)		<b>U72</b>
<b>FCC418W</b>	18.95" Height		<b>20</b>	2000 lm	<b>D90</b>	Flat (90°)		<b>U90</b>
<b>FCC420W</b>	20.95" Height (All above are Wall Mount Standard)			2500 lm	<b>WITH SOFT FIELD LENS</b>			
				3000 lm	<b>D15S</b>	Spot (15°)		<b>U15S</b>
				3500 lm	<b>D25S</b>	Narrow Flood (25°)		<b>U25S</b>
					<b>D50S</b>	Flood (50°)		<b>U50S</b>
					<b>D72S</b>	Wide Flood (72°)		<b>U72S</b>
					<b>D90S</b>	Flat (90°)		<b>U90S</b>
					<b>*15 degree beam angle cannot be mixed with other beam angles for single driver configurations.</b>			
<b>VOLTAGE</b>				<b>FINISH</b>			<b>DIMMING</b>	
<b>UNV</b>	Universal 120 - 277 VAC			<b>BKE</b>	Black		<b>LD</b>	0-10V Dimming, 1% (347 VAC Only)
<b>347V*</b>	347 VAC			<b>BRE</b>	Bronze		<b>TD</b>	Standard: Single Tri-Dim (1%, 0-10V, 120 - 277 VAC), (1%, TRIAC & ELV, 120 VAC Only) Driver
				<b>GRE</b>	Graphite Grey		<b>TD2*</b>	Dual Tri-Dim (1%, 0-10V, 120 - 277 VAC), (1%, TRIAC & ELV, 120 VAC Only) Drivers
				<b>SLE</b>	Silver			<b>*TD2 option required for uneven lumen output options.</b>
				<b>WHE</b>	White			
				<b>CCE</b>	Custom Color			
<b>COLOR</b>							<b>OPTIONS</b>	
<b>927</b>	(93CRI) 2700K						<b>CV</b>	Cut-Off Visor (Down Only)
<b>930</b>	(93CRI) 3000K							
<b>935</b>	(93CRI) 3500K							
<b>940</b>	(93CRI) 4000K							
	Other CCT/CRI available upon request.							

Due to continuous development and improvements, specifications are subject to change without notice.  
 Product use certifies agreement to FC Lighting, Inc. terms and conditions.

# FCC400 Four-Inch Round Cylinder Up/Down or Up Lighting

## LUMENS / WATTAGE typical

Model	Watts	940
FCC410W	12 W	500 lm
1 Integral Driver	25 W	1010 lm
15° Only	38 W	1515 lm
Other Angles	11 W	505 lm
	21 W	1010 lm
	37 W	1515 lm
	46 W	2020 lm
FCC410W	6.2 W	500 lm
2 Integral Drivers*	13 W	1000 lm
15° Only	19 W	1500 lm
	25 W	2000 lm
	34 W	2500 lm
	46 W	3000 lm
Other Angles	6.2 W	500 lm
	11 W	1000 lm
	17 W	1500 lm
	22 W	2000 lm
	30 W	2500 lm
	35 W	3000 lm
	42 W	3500 lm

IES Multiplier	
Color	Multiplier
927	0.92
930	0.95
935	0.98
940	1.00

\*83CRI≤1.15 Consult factory.

TRIAC & ELV Approved Dimmer List	
Manufacturer	Manufacturer Part Number
Lutron	Glyder GLV-600
	Dival DVLV-600P
	Dival DV-600P
	Dival DVELV-600P(303)
	Maestro MALV-600
	Nova T NT-1000
	Nova T NTELV-600
Skylark SLV-600P	
Leviton	RadioRA2-10ND
	SureSlide 6633
	Illumatech IPE04

0-10V Approved Dimmer List	
Manufacturer	Manufacturer Part Number
Lutron	Dival DVSTV-XX
	Dival DVSTV-453PH-WH1
Leviton	Illumatech 010-IP710-DLZ

\*Add the wattages for each lumen package selected to get total wattage.

## LUMEN COMPATIBILITY MATRIX

\*If optic selected in either direction is 15 or 15S, use top table. Otherwise, use bottom table.

FCC400WUD		UP LUMENS - 15° ONLY						
		05L	10L	15L	20L	25L	30L	35L
DOWN LUMENS	NO	MIN 10"	MIN 10"	MIN 10"	MIN 10"	MIN 10"	MIN 14"	
	05L	MIN 10"	MIN 14"	MIN 14"	MIN 14"			
	10L	MIN 14"	MIN 10"	MIN 14"				
	15L	MIN 14"	MIN 14"	MIN 10"				
	20L	MIN 14"	MIN 14"					

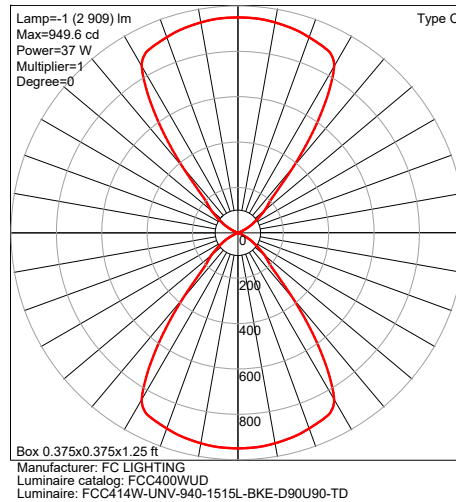
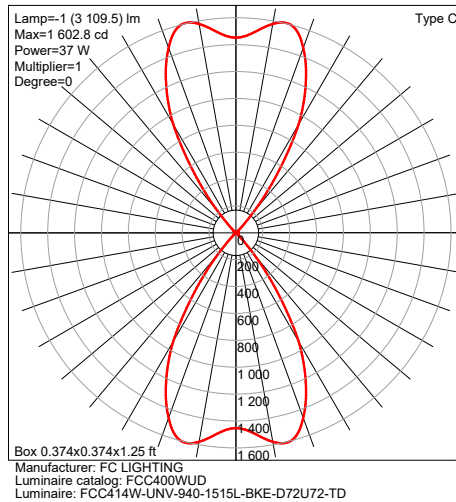
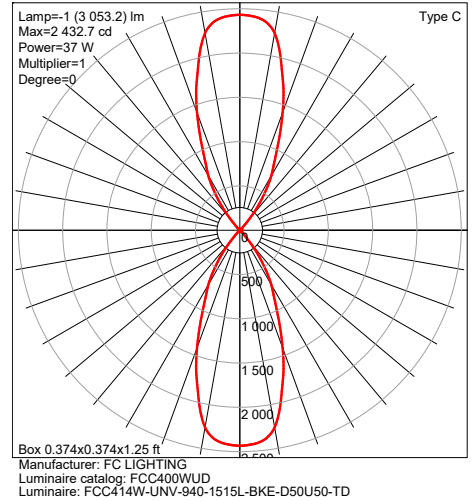
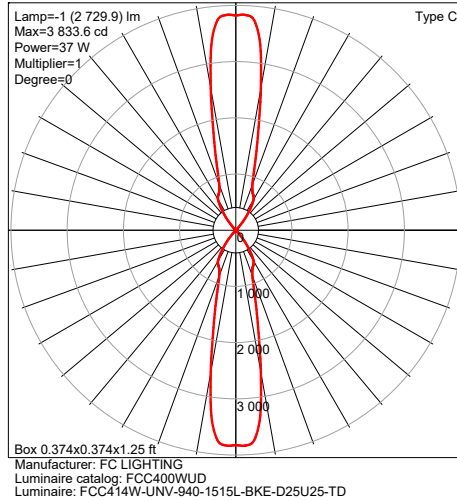
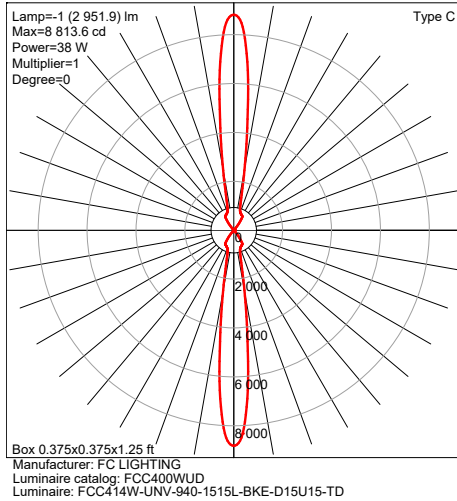
FCC400WUD		UP LUMENS - OTHER ANGLES						
		05L	10L	15L	20L	25L	30L	35L
DOWN LUMENS	NO	MIN 10"	MIN 10"	MIN 10"	MIN 10"	MIN 10"	MIN 14"	MIN 14"
	05L	MIN 10"	MIN 14"	MIN 14"	MIN 14"			
	10L	MIN 14"	MIN 10"	MIN 14"	MIN 14"			
	15L	MIN 14"	MIN 14"	MIN 10"				
	20L	MIN 14"	MIN 14"	MIN 14"	MIN 10"			

Notes: Blank cells mean there is NO compatibility.

\*TD2 option required for even lumen output options.

# FCC400 Four-Inch Round Cylinder Up/Down or Up Lighting

## PHOTOMETRICS



## FCC400 Four-Inch Round Cylinder Up/Down or Up Lighting

### OPTIONS

Cut-Off Visor (CV) *(Down Only)*

