

# FCC600 Down Only with Remote Drivers and Battery Backups (-20°C to 55°C)

6" Round wall, pendant or surface mount down cylinder outdoor



## FEATURES

- Up to 5000 lm, Up to 100 LPW
- Numerous mounting capabilities
- Clear anti-glare tempered glass lens (IK09)
- Multiple color finishes
- 0-10V 1% Dimming (Standard)
- 1.5G Vibration Tested
- 93 CRI with 2 SDCM

## PERFORMANCE

**Beam Spread:** 15° | 25° | 40° | 50° | 72°  
**CCT Options:** 2700K | 3000K | 3500K | 4000K  
**CRI:** 93 CRI  
**Consistency:** 2 SDCM (Fixture to Fixture)  
**Lumens:** 5000 lm (Max)  
**Lifetime:** > 70,000 hours / L70 or better

## PHYSICAL

**Mounting:** Mounts directly to standard recessed junction box with wall mount or twist-lock canopy. Additional holes allow unit to be attached directly to mounting surface. Not intended for open ceilings or surface mount conduit j-box applications. Recessed j-box must be flush with finished wall or ceiling surface.

**Ingress Protection:** Continuous silicone gasket to seal out contaminants, IP65 rated for dry, damp or wet locations. SF option rated IP65 for cover ceiling application only.

**Finish:** Six stage chemical iron phosphate conversion pre-treatment. Polyester powder coat finish, 18 µm Min., 5000hr salt spray test (ASTM B117) compliant with Florida / AAMA 2604 specification.

**Warranty:** 5-Year limited warranty (refer to website for details)

**Housing:** Heavy-walled, extruded aluminum housing with high pressure die-cast lens ring and cap with stainless steel hardware.

**Lens:** IK09 impact compliant, clear anti-glare tempered glass

**Vibration Resistance:** Compliant with 1.5G ANSI C136.31, Seismic rated AC-156

**Weight:** 8-12 lbs (Depending on Length)

**Operating Temperature:** -22°F to 122°F (-30°C to 50°C)

## ELECTRICAL

**Voltage:** Universal 120–277V AC standard, 347V optional

**Power Supply:** Integral Class II, electronic high-power factor >.90, THD < 20%, FCC Title 47 Part 15 Class A. EldoLED & Lutron optional

**Power Consumption:** Up to 5000 lm @ 60W

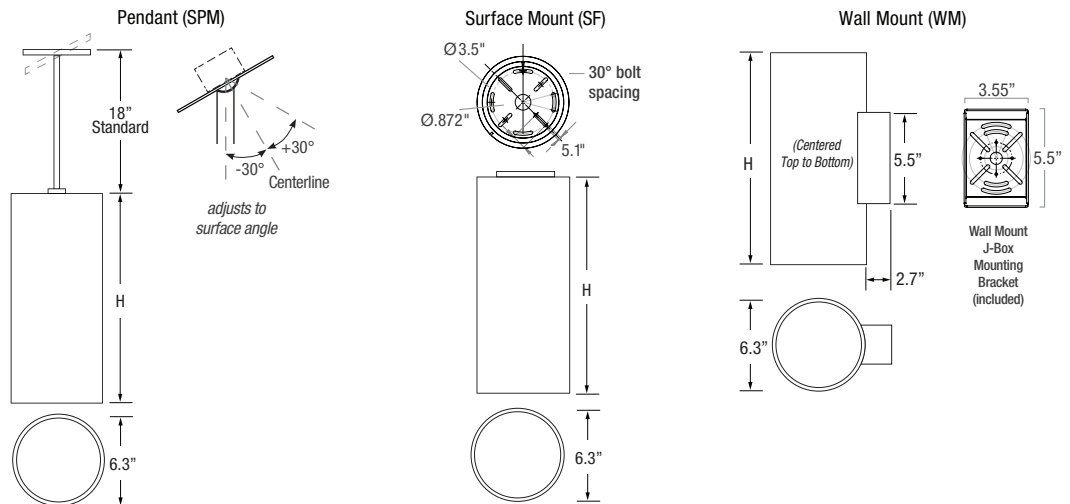
**Dimming:** **Standard:** 0-10V, 1% Dimming, **Optional:** ELV | TRIAC | dim to off | DMX | DALI

**Certification:** CEC Title 24 - JAB Compliant (93 CRI Only)

**Standards:** cETLus Listed, CE, NOM, and RoHS Compliant. Wet location listed for wall or ceiling mount IP65 Ingress protection. 1.5G (ANSI C136.31) Vibration resistance rated. IK09 (IEC6226) Impact resistance rated. IESNA LM79 Photometric testing by NVLAP accredited test lab. IESNA LM80 LED testing by NVLAP accredited test lab. IESNA TM21 Luminaire lumen depreciation projection to >70,000hrs.

## PHYSICAL DIMENSIONS

Fixture	Length (H)
FCC600R-10	10.95" Height
FCC600R-12	12.95" Height
FCC600R-14	14.95" Height
FCC600R-16	16.95" Height
FCC600R-18	18.95" Height
FCC600R-20	20.95" Height



Date: \_\_\_\_\_  
 Type: \_\_\_\_\_  
 Fixture: \_\_\_\_\_  
 Project: \_\_\_\_\_

Approved: \_\_\_\_\_

# FCC600 Down Only with Remote Drivers and Battery Backups (-20°C to 55°C)

## PRODUCT CODE

EXAMPLE: FCC600R-10-SPM-18-UNV-927-05L-BKE-15-ET-CV

MODEL	HEIGHT	MOUNTING	SUSP. LENGTH	VOLTAGE	COLOR	LUMENS	FINISH	OPTIC	DIMMING	OPTIONS	BATTERY
FCC600R											

**MODEL**  
**FCC600R**  
 LED DRIVER REMOTE (INDOOR)  
 IP20, IK08, NEMA 1, -20°C to +50°C,  
 30' MAX Distance with 12AWG.  
 \*Consult factory for outdoor remote  
 driver only.

**HEIGHT**

10	10.95" Height
12	12.95" Height
14	14.95" Height
16	16.95" Height
18	18.95" Height
20	20.95" Height

**MOUNTING**

<b>SPM</b>	Slope Pendant
<b>SF</b>	Surface
<b>WM</b>	Wall

**SPM LENGTH**

Specify the optional suspension length in inches.  
 (Top of fixture to ceiling) (SPM 18" Standard,  
 6"-120" Max; 61"-120" w/LD & ET Only and stem  
 comes in 2 sections) \*Consult factory & price guide  
 for other lengths.

**VOLTAGE**

<b>UNV</b>	Universal 120-277 Volt AC
<b>347V</b>	347 Volt AC

**COLOR**

<b>927</b>	(93CRI) 2700K
<b>930</b>	(93CRI) 3000K
<b>935</b>	(93CRI) 3500K
<b>940</b>	(93CRI) 4000K

**LUMENS nominal**

<b>05L</b>	500 lm
<b>10L</b>	1000 lm
<b>15L</b>	1500 lm
<b>20L</b>	2297 lm
<b>25L</b>	2500 lm
<b>30L</b>	3000 lm
<b>35L</b>	3500 lm
<b>40L</b>	4000 lm
<b>45L</b>	4500 lm
<b>50L</b>	5000 lm

**FINISH**

<b>BKE</b>	Black (AAMA 2604)
<b>BRE</b>	Bronze (AAMA 2604)
<b>GRE</b>	Graphite Grey (AAMA 2604)
<b>SLE</b>	Silver (AAMA 2604)
<b>WHE</b>	White (AAMA 2604)
<b>CCE</b>	Custom Color (AAMA 2604)

**OPTIC nominal**

<b>15</b>	Spot (15°)
<b>25</b>	Narrow Flood (25°)
<b>40</b>	Mid Flood (40°)
<b>50</b>	Flood (50°)
<b>72</b>	Wide Flood (72°)

**w/SOFT FIELD**

<b>15S</b>	Spot (15°)
<b>25S</b>	Narrow Flood (25°)
<b>40S</b>	Mid Flood (40°)
<b>50S</b>	Flood (50°)
<b>72S</b>	Wide Flood (72°)

**DIMMING**

<b>ET</b>	ELV or TRIAC Driver (20L-45L Only) (120V Phase Dimming w/ UNV Driver)
<b>LD</b>	0-10V Dimming, 1% (Standard)

\*All drivers listed above are remote.

**OPTIONS**

<b>CV</b>	Cut-Off Visor (Down Only)
-----------	---------------------------

**BATTERY**

<b>BBUR</b>	BATTERY BACK-UP & LED DRIVER REMOTE (INDOOR), IP20, IK08, NEMA 1, 0°C to +48°C, 30' MAX Distance with 12AWG (w/UNV Option Only)
<b>BBUX</b>	BATTERY BACK-UP & LED DRIVER REMOTE (OUTDOOR), IP67, IK10, NEMA 4X, -20°C to +55°C, 30' MAX Distance with 12AWG (w/UNV Option Only)
<b>N/A</b>	(Leave Blank for Remote Driver Only without Battery Backup)

Due to continuous development and improvements, specifications are subject to change without notice. FC Lighting, Inc. reserves the right to change lab test details or specifications without notice. Product use certifies agreement to FC Lighting, Inc. terms and conditions. All stated specifications have a tolerance of +/- 7%.

# FCC600 Down Only with Remote Drivers and Battery Backups (-20°C to 55°C)

## LUMENS nominal

Model	Watts	940
FCC600R	60 W (Max)	500 lm (Min) 5000 lm (Max)

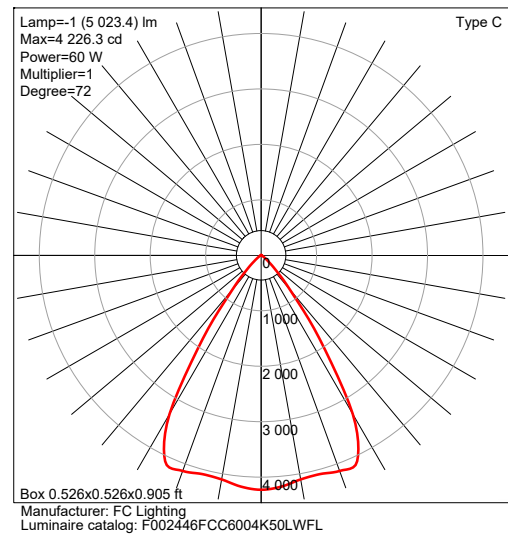
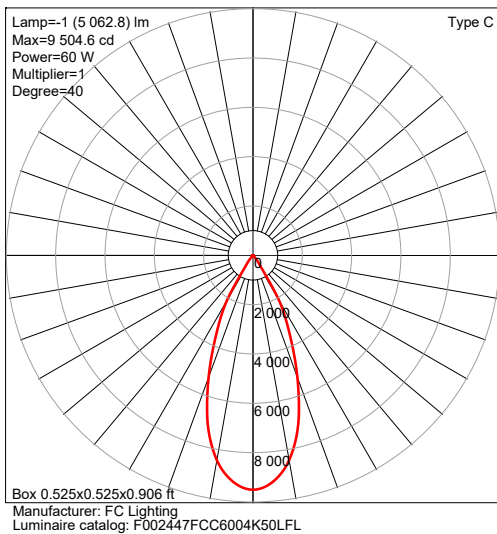
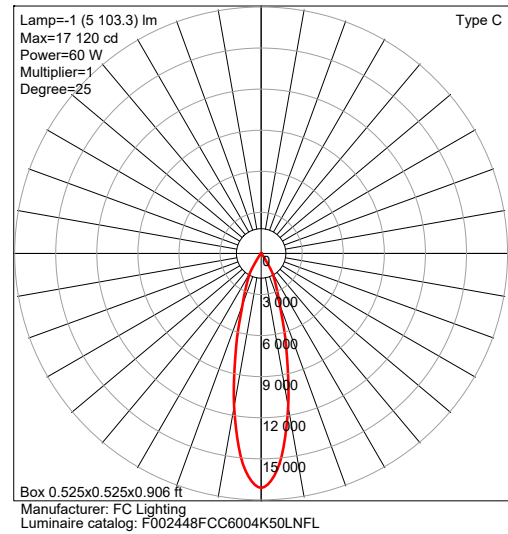
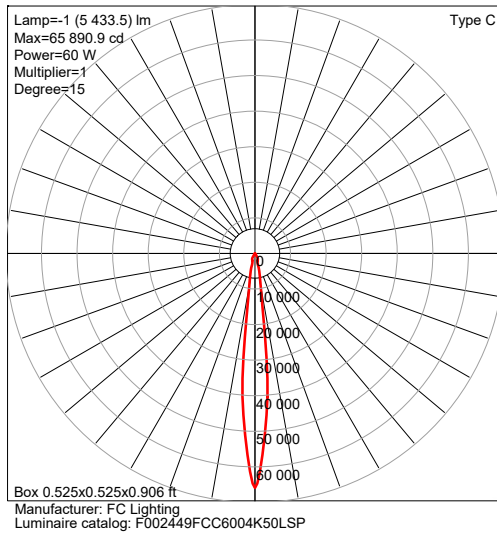
IES Multiplier	
Color	Multiplier
927	0.93
930	0.97
935	0.99
940	1.00

\*83CRI±1.15 Consult factory.

TRIAC & ELV Approved Dimmer List	
Manufacturer	Manufacturer Part Number
Lutron	Glyder GLV-600
	Diva DVLV-600P
	Diva DV-600P
	Diva DVELV-600P(303)
	Maestro MALV-600
	Nova T NT-1000
	Nova T NTELV-600
Leviton	SureSlide 6633
	Illumatech IPE04

0-10V Approved Dimmer List	
Manufacturer	Manufacturer Part Number
Lutron	Diva DVSTV-XX
	Diva DVSTV-453PH-WH1
Leviton	Illumatech 010-IP710-DLZ

## PHOTOMETRICS



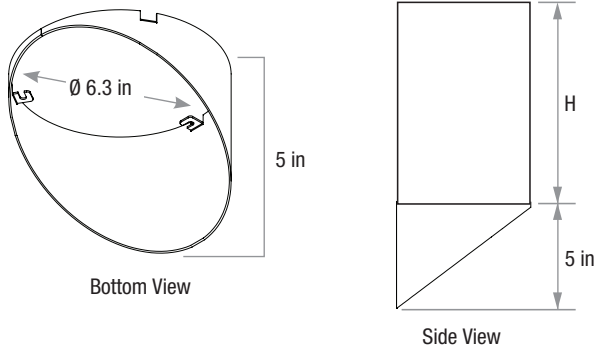
Due to continuous development and improvements, specifications are subject to change without notice. FC Lighting, Inc. reserves the right to change lab test details or specifications without notice. Product use certifies agreement to FC Lighting, Inc. terms and conditions. All stated specifications have a tolerance of +/- 7%.



# FCC600 Down Only with Remote Drivers and Battery Backups (-20°C to 55°C)

## MORE DIMENSIONS

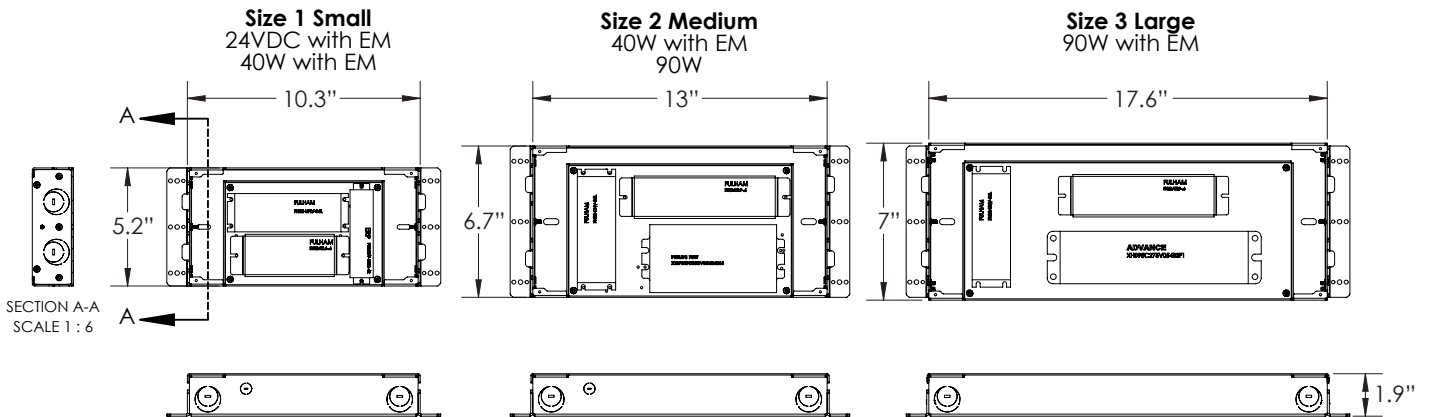
Cutt-Off Visor (CV) (Down Only)



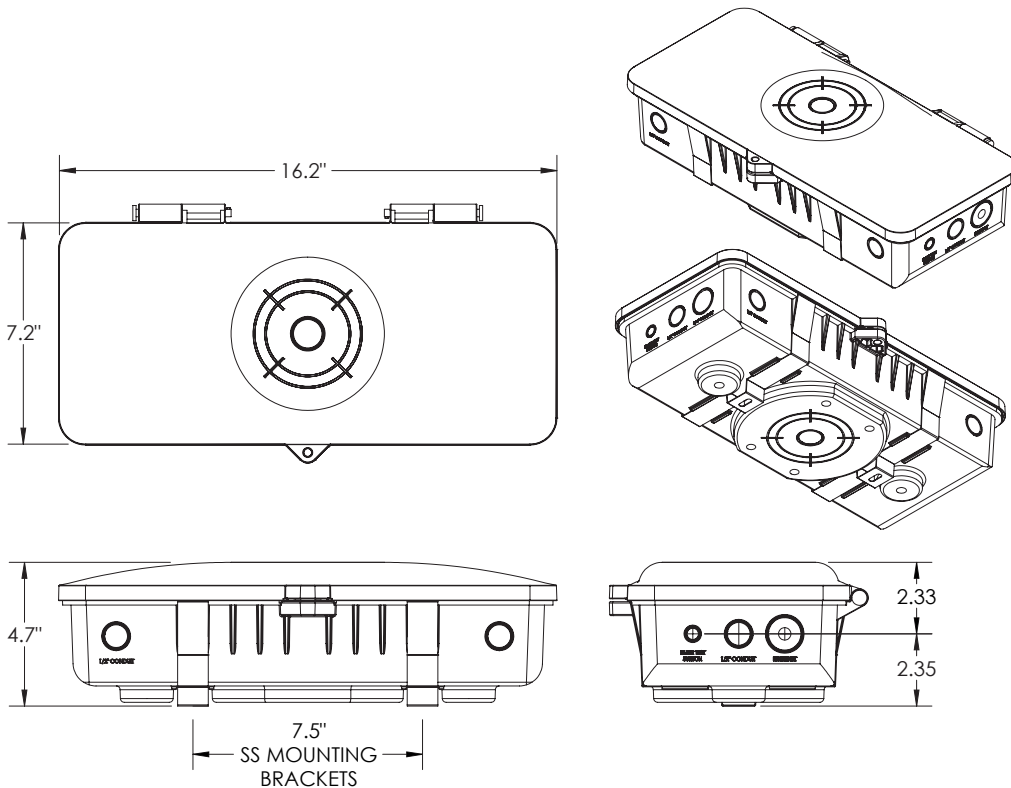
# FCC600 Down Only with Remote Drivers and Battery Backups (-20°C to 55°C)

## BATTERY BACK-UPS

**BBUR - BATTERY BACK-UP & LED DRIVER REMOTE (INDOOR), IP20, IK08, NEMA 1, 0°C to +48°C, 30' MAX Distance with 12AWG (w/UNV Option Only)**



**BBUX - BATTERY BACK-UP & LED DRIVER REMOTE (OUTDOOR), IP67, IK10, NEMA 4X, -20°C to +55°C, 30' MAX Distance with 12AWG (w/UNV Option Only)**



Due to continuous development and improvements, specifications are subject to change without notice. FC Lighting, Inc. reserves the right to change lab test details or specifications without notice. Product use certifies agreement to FC Lighting, Inc. terms and conditions. All stated specifications have a tolerance of +/- 7%.