

FCC600 Six-Inch Round Cylinder – Wall, Pendant, or Surface Mount Down Lighting

Standard Drivers without Battery Backup



FEATURES

- Up to 6000 lumens (4000K)
- Multiple mounting options
- Clear lens with anti-glare tempered glass (IK09)
- The Soft Field Lens option provides diffusion, reduces glare, and enhances visual comfort.
- Multiple housing colors
- 0-10V 1% Dimming (Standard)
- 93 CRI with 2 SDCM

PERFORMANCE

Beam Spread: 15°, 25°, 40°, 50°, 72°, Wall Wash
CCT Options: 2700K, 3000K, 3500K, 4000K
CRI: 93 CRI
Consistency: 2 SDCM (Luminaire to Luminaire)
Lumens: 500 - 6000 lumens (typical)
Lumen Maintenance: L70 > 70,000 hours

PHYSICAL

Mounting: Mounts directly to standard recessed junction box with wall mount or twist-lock canopy. Additional holes allow unit to be attached directly to mounting surface. Not intended for open ceilings or surface mount conduit j-box applications. Recessed j-box must be flush with finished wall or ceiling surface.

Housing: Heavy-walled, extruded aluminum housing with high pressure die-cast lens ring and cap with stainless steel hardware.

Finish: Available in Black, Bronze, Graphite Grey, Silver, White and Custom Colors. Six stage chemical iron phosphate conversion pre-treatment. Polyester powder coat finish, 18 µm minimum, 5,000 hour salt spray test (ASTM B117) compliant with Florida / AAMA 2604 specification.

Warranty: 5-Year limited warranty

Lens: IK09 impact compliant, clear anti-glare tempered glass

Ingress Protection: Continuous silicone gasket to seal out contaminants, IP66 rated for dry, damp or wet locations. SF and SPM options are rated IP65 for cover ceiling application only.

Weight: 8-12 lbs (Depending on Length)

Operating Temperature: -22°F to 122°F (-30°C to 50°C)

ELECTRICAL

Voltage: Universal 120 - 277 VAC, 347 VAC optional

Power Supply: Integral Class II, electronic high-power factor >.90, THD < 20%, FCC Title 47 Part 15 Class A.

Power Consumption: Maximum 65W

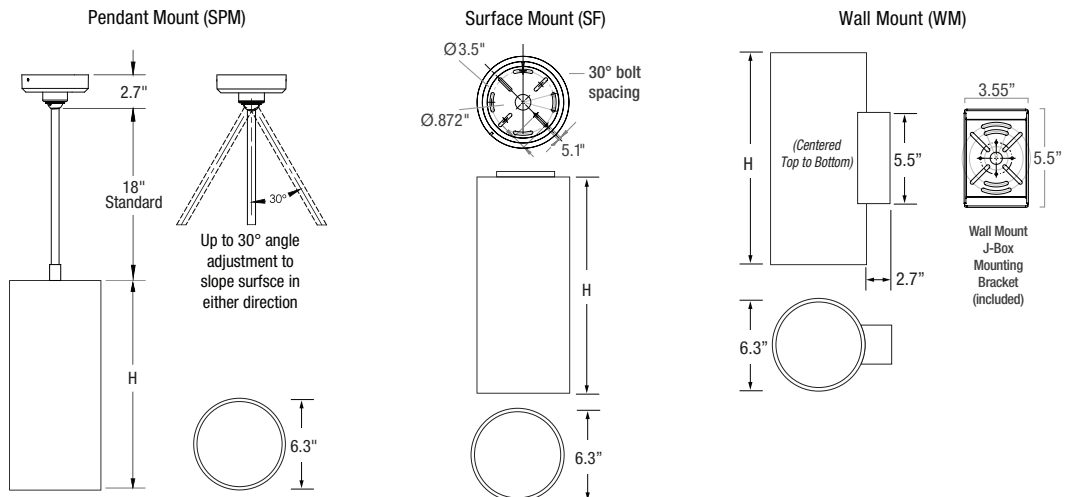
Dimming: Standard: 0-10V, 1% Dimming, Optional: ELV, TRIAC

Standards:

- cETLus Listed, CE, NOM, and RoHS Compliant.
- Wet location listed for wall or ceiling mount IP66 Ingress protection.
- 1.5G (ANSI C136.31) Vibration resistance rated.
- IK09 (IEC6226) Impact resistance rated.
- IESNA LM79 Photometric testing by NVLAP accredited test lab.
- IESNA LM80 LED testing by NVLAP accredited test lab.
- IESNA TM21 Luminaire lumen depreciation projection to > 70,000 hours.

PHYSICAL DIMENSIONS

Luminaire	Height
FCC600-08	8.95" Height
FCC600-10	10.95" Height
FCC600-12	12.95" Height
FCC600-14	14.95" Height
FCC600-16	16.95" Height
FCC600-18	18.95" Height
FCC600-20	20.95" Height



Date: _____
 Type: _____
 Luminaire: _____
 Project: _____

Approved: _____

FCC600 Six-Inch Round Cylinder Down Lighting

PRODUCT CODE

EXAMPLE: FCC600-10-SPM-18-UNV-927-05L-BKE-15-ET-CV

MODEL	HEIGHT	MOUNTING	SUSP. LENGTH	VOLTAGE	COLOR	LUMENS	FINISH	OPTIC	DIMMING	OPTIONS
FCC600										

MODEL
FCC600

HEIGHT

08	8.95" Height
10	10.95" Height
12	12.95" Height
14	14.95" Height
16	16.95" Height
18	18.95" Height
20	20.95" Height

MOUNTING

SPM	Slope Pendant
SF	Surface
WM	Wall

SPM LENGTH

Specify the optional cable suspension length in inches. (Top of luminaire to ceiling) (SPM 18" Standard, 6"-120" Max; 61"-120" w/LD & ET only and stem comes in 2 sections) *Consult factory and price guide for other lengths.

VOLTAGE

UNV	Universal 120 - 277 VAC
347V	347 VAC (25L - 50L lumen options only)

COLOR

927	(93CRI) 2700K
930	(93CRI) 3000K
935	(93CRI) 3500K
940	(93CRI) 4000K

Other CCT/CRI available upon request.

LUMENS typical

05L	500 lm
10L	1000 lm
15L	1500 lm
20L	2000 lm (Minimum 10"H)
25L	2500 lm (Minimum 10"H)
30L	3000 lm (Minimum 10"H)
35L	3500 lm (Minimum 10"H)
40L	4000 lm (Minimum 10"H)
45L	4500 lm (Minimum 12"H)
50L	5000 lm (Minimum 12"H)
55L	5500 lm (Minimum 14"H)
60L	6000 lm (Minimum 16"H)

FINISH

BKE	Black
BRE	Bronze
GRE	Graphite Grey
SLE	Silver
WHE	White
CCE	Custom Color

OPTIC typical

15	Spot (15°)
25	Narrow Flood (25°)
40	Mid Flood (40°)
50	Flood (50°)
72	Wide Flood (72°)

w/SOFT FIELD

15S	Spot (15°)
25S	Narrow Flood (25°)
40S	Mid Flood (40°)
50S	Flood (50°)
72S	Wide Flood (72°)
WW	Wall Wash (50° Optic Only)

Soft Field average light loss factor is 0.96

DIMMING

ET	ELV or TRIAC Driver (120V Phase Dimming w/ UNV Driver) (05L - 45L options only)
LD	0-10V Dimming, 1%

OPTIONS

CV	Cut-Off Visor
----	---------------

FCC600 Six-Inch Round Cylinder Down Lighting

LUMENS / WATTAGE typical

Model	Watts	Lumens
FCC600	6.4 W	500 lm
	10 W	1000 lm
	14 W	1500 lm
	19 W	2000 lm
	25 W	2500 lm
	30 W	3000 lm
	36 W	3500 lm
	42 W	4000 lm
	48 W	4500 lm
	53 W	5000 lm
	59 W	5500 lm
	65 W	6000 lm

Lifetime Calculations				
Model	L70	L70	L90	L90
	Calculated	Reported	Calculated	Reported
FCC600	132700	>60500	40600	40600

*Specific Lumen Output Lifetime available upon request.
 *All lifetimes based on B50.

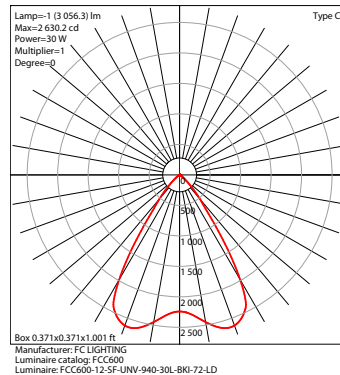
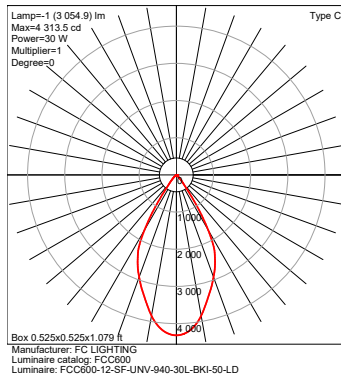
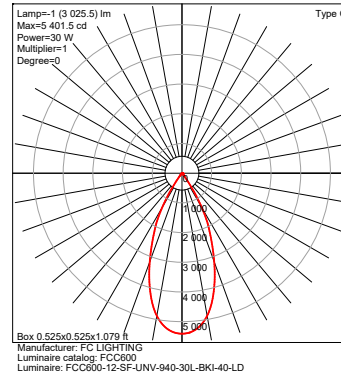
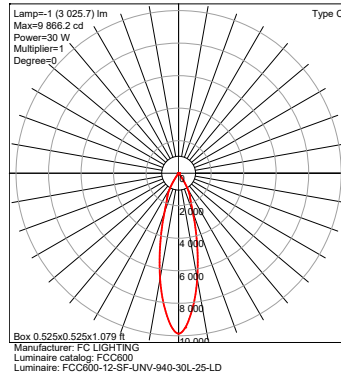
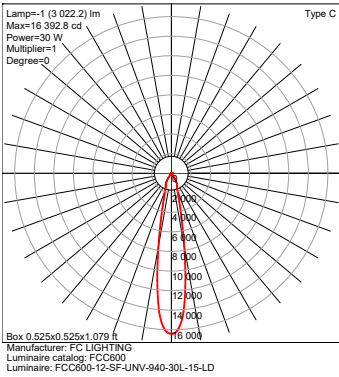
IES Multiplier	
Color	Multiplier
927	0.92
930	0.95
935	0.98
940	1.00

*83CR1s1.15 Consult factory.

TRIAC & ELV Approved Dimmer List	
Manufacturer	Manufacturer Part Number
Lutron	Glyder GLV-600
	Diva DVLV-600P
	Diva DV-600P
	Diva DVELV-600P(303)
	Maestro MALV-600
	Nova T NT-1000
	Nova T NTELV-600
Leviton	SureSlide 6633
	illumatech IPE04

0-10V Approved Dimmer List	
Manufacturer	Manufacturer Part Number
Lutron	Diva DVSTV-XX
	Diva DVSTV-453PH-WH1
Leviton	illumatech 010-IP710-DLZ

PHOTOMETRICS



Due to continuous development and improvements, specifications are subject to change without notice.
 Product use certifies agreement to FC Lighting, Inc. terms and conditions.

FCC600 Six-Inch Round Cylinder Down Lighting

OPTIONS

Cut-Off Visor (CV)

