

# FCC6GAR Six-Inch Round Cylinder – Wall, Pendant, or Surface Mount Down Lighting

## Adjustable Gimbal Ring with Remote Driver and Battery Backup



### FEATURES

- Up to 4000 lumens (4000K)
- Adjustable gimbal ring w/ 32° Tilt, 359° Rotate
- Clear anti-glare tempered glass lens (IK08)
- Multiple housing colors
- Tri-Dim (0-10V 1% UNV, TRIAC & ELV 120 VAC) (Standard)
- 93 CRI with 2 SDCM

### PERFORMANCE

**Beam Spread:** 25°, 45°, 65°  
**CCT Options:** 2700K, 3000K, 3500K, 4000K  
**CRI:** 93 CRI  
**Consistency:** 2 SDCM (Luminaire to Luminaire)  
**Lumens:** 2500 - 4000 lumens (typical)  
**Lumen Maintenance:** L70 > 70,000 hours

### PHYSICAL

**Mounting:** Mounts directly to standard recessed junction box with wall mount or twist-lock canopy. Additional holes allow unit to be attached directly to mounting surface. Not intended for open ceilings or surface mount conduit j-box applications. Recessed j-box must be flush with finished wall or ceiling surface.

**Housing:** Heavy-walled, extruded aluminum housing with high pressure die-cast lens ring, wall mount, twist-lock canopy, swivel holder and cap with stainless steel hardware.

**Finish:** Available in Black, Bronze, Graphite Grey, Silver, White and Custom Colors. Six stage chemical iron phosphate conversion pre-treatment. Polyester powder coat finish, 18 µm minimum, 5,000 hour salt spray test (ASTM B117) compliant with Florida / AAMA 2604 specification.

**Ingress Protection:** Continuous silicone gasket to seal out contaminants, IP65 rated for dry, damp or wet locations. SF option rated IP65 for cover ceiling application only.

**Warranty:** 5-Year limited warranty

**Lens:** IK08 impact compliant, clear anti-glare tempered glass

**Weight:** 8-12 lbs (Depending on Length)

**Operating Temperature:** -22°F to 122°F (-30°C to 50°C)

### ELECTRICAL

**Voltage:** Universal 120 - 277 VAC standard, 347 VAC optional

**Power Supply:** Integral Class II, electronic high-power factor >.90, THD < 20%, FCC Title 47 Part 15 Class A

**Power Consumption:** Maximum 38W

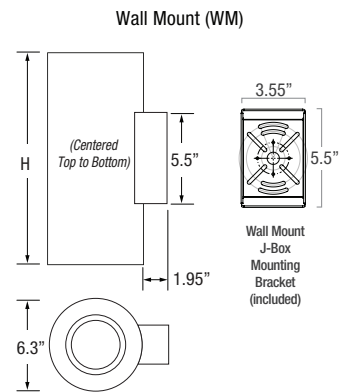
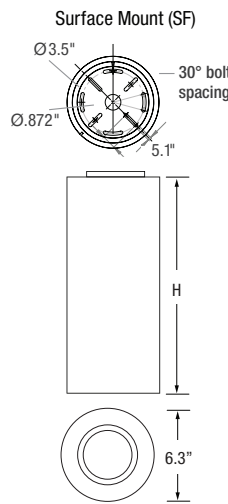
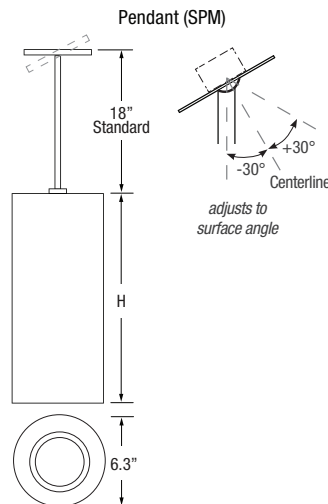
**Dimming: standard:** Tri-Dim includes 0-10V, 1%, TRIAC and ELV Dimming

**Standards:**

- cETLus Listed, CE, NOM, and RoHS Compliant.
- Wet location listed for wall or ceiling mount IP65 Ingress protection.
- 1.5G (ANSI C136.31) Vibration resistance rated.
- IK08 (IEC6226) Impact resistance rated.
- IESNA LM79 Photometric testing by NVLAP accredited test lab.
- IESNA LM80 LED testing by NVLAP accredited test lab.
- IESNA TM21 Luminaire lumen depreciation projection to > 70,000 hours.

### PHYSICAL DIMENSIONS

Luminaire	Length (H)
FCC6GAR-10	10.95" Height
FCC6GAR-12	12.95" Height
FCC6GAR-14	14.95" Height
FCC6GAR-16	16.95" Height
FCC6GAR-18	18.95" Height
FCC6GAR-20	20.95" Height



Date: \_\_\_\_\_  
 Type: \_\_\_\_\_  
 Fixture: \_\_\_\_\_  
 Project: \_\_\_\_\_

Approved: \_\_\_\_\_

# FCC6GAR Six-Inch Round Cylinder – Wall, Pendant, or Surface Mount Down Lighting

## PRODUCT CODE

EXAMPLE: FCC6GAR-10-SPM-18-UNV-927-20L-BKE-15-TD-HC

MODEL	HEIGHT	MOUNTING	SUSP. LENGTH	VOLTAGE	COLOR	LUMENS	FINISH	OPTIC	DIMMING	OPTIONS	BATTERY
FCC6GAR											

**MODEL**  
**FCC6GAR**  
 LED DRIVER REMOTE (INDOOR)  
 IP20, IK08, NEMA 1, -20°C to +50°C,  
 30' MAX Distance with 12AWG.  
 \*Consult factory for outdoor remote  
 driver only.

**HEIGHT**

10	10.95" Height
12	12.95" Height
14	14.95" Height
16	16.95" Height
18	18.95" Height
20	20.95" Height

**MOUNTING**

<b>SPM</b>	Slope Pendant
<b>SF</b>	Surface
<b>WM</b>	Wall

**SPM LENGTH**

Specify the optional suspension length in inches.  
 (Top of luminaire to ceiling) (SPM 18" Standard,  
 6"-120" Max; 61"-120" w/LD & ET Only and stem  
 comes in 2 sections) \*Consult factory & price  
 guide for other lengths.

**VOLTAGE**

<b>UNV</b>	Universal 120 - 277 VAC
<b>347V</b>	347 VAC

**COLOR**

<b>927</b>	(93CRI) 2700K
<b>930</b>	(93CRI) 3000K
<b>935</b>	(93CRI) 3500K
<b>940</b>	(93CRI) 4000K

**LUMENS typical**

<b>25L</b>	2500 lm @ 23W
<b>30L</b>	3000 lm @ 28W
<b>35L</b>	3500 lm @ 33W
<b>40L</b>	4000 lm @ 38W

**FINISH**

<b>BKE</b>	Black
<b>BRE</b>	Bronze
<b>GRE</b>	Graphite Grey
<b>SLE</b>	Silver
<b>WHE</b>	White
<b>CCE</b>	Custom Color

**OPTIC typical**

<b>25</b>	Spot (25°)
<b>45</b>	Mid Spot (45°)
<b>65</b>	Flood (65°)

**DIMMING**

<b>TD</b>	Tri-Dim (0-1V 1%, TRIAC & ELV) (120V Phase Dimming w/ UNIV Driver) (Standard)
<b>LD347</b>	0-10V 1% (347 VAC Only)

\*All drivers listed above are remote.

**OPTIONS**

<b>HC</b>	Honeycomb Louver
-----------	------------------

**BATTERY**

<b>BBUR</b>	BATTERY BACK-UP & LED DRIVER RE- MOTE (INDOOR), IP20, IK08, NEMA 1, 0°C to +48°C, 30' MAX Distance with 12AWG (w/UNV Option Only)
<b>BBUX</b>	BATTERY BACK-UP & LED DRIVER REMOTE (OUTDOOR), IP67, IK10, NEMA 4X, -20°C to +55°C, 30' MAX Distance with 12AWG (w/UNV Option Only)
<b>N/A</b>	(Leave Blank for Remote Driver Only with- out Battery Backup)

# FCC6GAR Six-Inch Round Cylinder – Wall, Pendant, or Surface Mount Down Lighting

## LUMENS typical

Model	Watts	940
FCC6GAR	23 W	2500 lm
	28 W	3000 lm
	33 W	3500 lm
	38 W	4000 lm

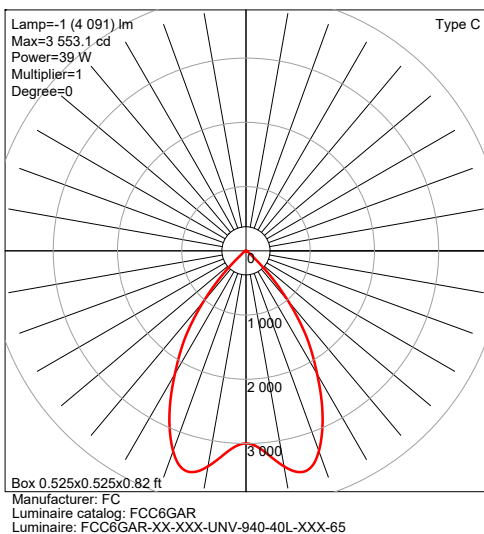
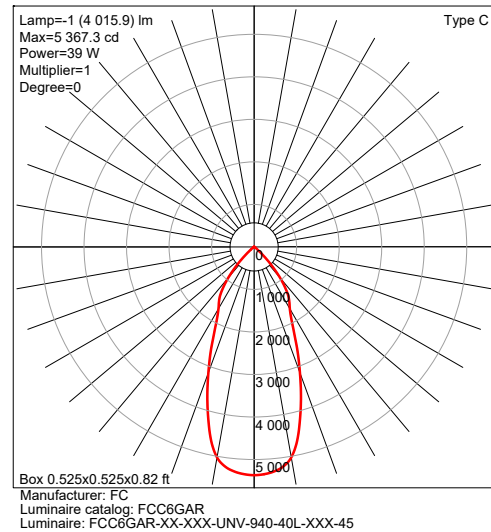
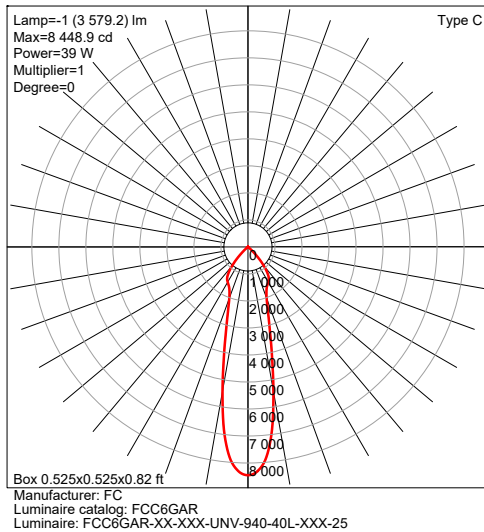
IES Multiplier	
Color	Multiplier
927	0.92
930	0.96
935	0.98
940	1.00

\*83CR1s.1.15 Consult factory.

TRIAC & ELV Approved Dimmer List	
Manufacturer	Manufacturer Part Number
Lutron	Glyder GLV-600
	Diva DVLV-600P
	Diva DV-600P
	Diva DVELV-600P(303)
	Maestro MALV-600
	Nova T NT-1000
	Nova T NTELV-600
Leviton	SureSlide 6633
	Illumatech IPE04

0-10V Approved Dimmer List	
Manufacturer	Manufacturer Part Number
Lutron	Diva DVSTV-XX
	Diva DVSTV-453PH-WH1
Leviton	Illumatech 010-IP710-DLZ

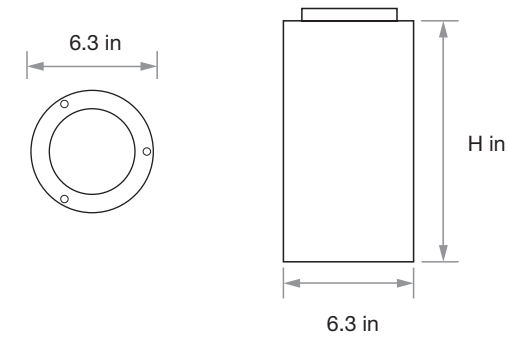
## PHOTOMETRICS



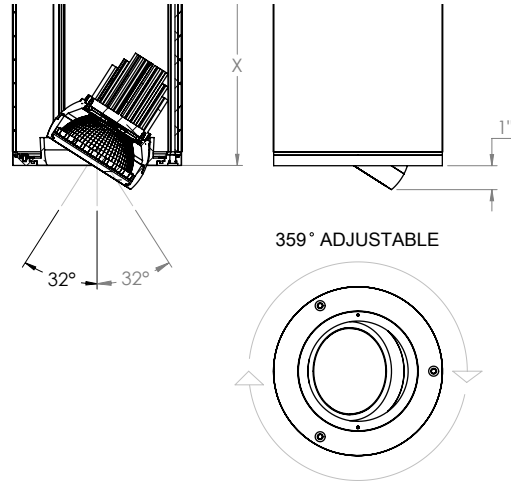
# FCC6GAR Six-Inch Round Cylinder – Wall, Pendant, or Surface Mount Down Lighting

## MORE DIMENSIONS

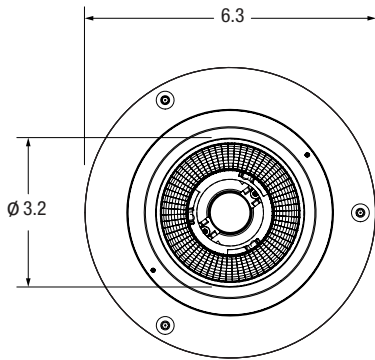
H = 10.95" – 20.95"



Adjustable Range



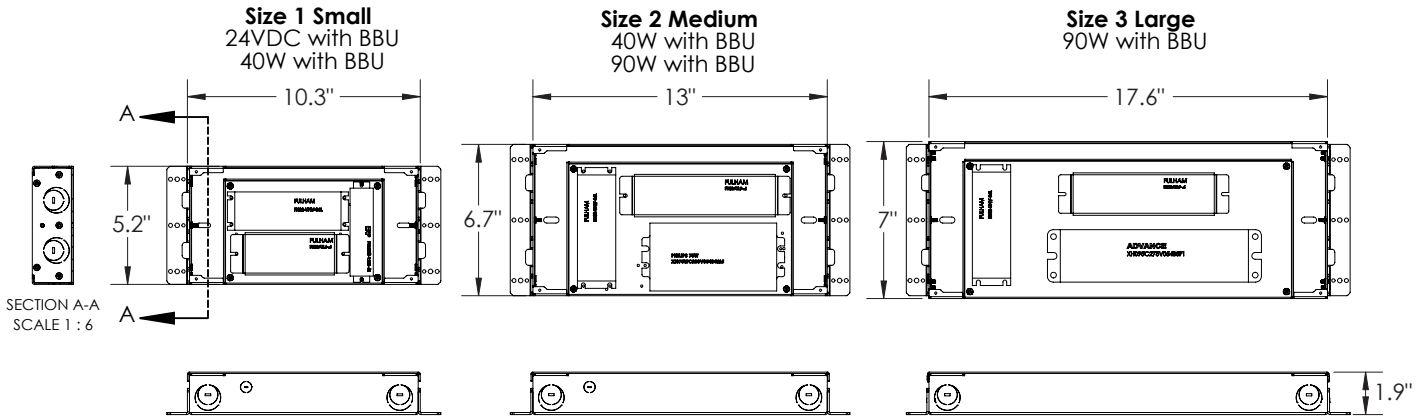
Optical Aperture



# FCC6GAR Six-Inch Round Cylinder – Wall, Pendant, or Surface Mount Down Lighting

## BATTERY BACK-UPS

**BBUR - BATTERY BACK-UP & LED DRIVER REMOTE (INDOOR), IP20, IK08, NEMA 1, 0°C to +48°C, 30' MAX Distance with 12AWG (w/UNV Option Only)**



**BBUX - BATTERY BACK-UP & LED DRIVER REMOTE (OUTDOOR), IP67, IK10, NEMA 4X, -20°C to +55°C, 30' MAX Distance with 12AWG (w/UNV Option Only)**

