

# FCCSQ400R Four-Inch Square Cylinder – Wall, Pendant or Surface Mount Down Lighting

## Remote Driver and Battery Backup



### FEATURES

- Up to 3000 lumens (4000K)
- Multiple mounting options
- Clear anti-glare tempered glass lens (IK09)
- The Soft Field Lens option provides diffusion, reduces glare, and enhances visual comfort.
- Multiple housing colors
- 0-10V 1% Dimming (Standard)
- 93 CRI with 2 SDCM

### PERFORMANCE

**Beam Spread:** 15°, 25°, 50°, 72°, 90°  
**CCT Options:** 2700K, 3000K, 3500K, 4000K  
**CRI:** 93 CRI  
**Consistency:** 2 SDCM (Luminaire to Luminaire)  
**Lumens:** 500 - 3000 lumens (typical)  
**Lumen Maintenance:** L70 > 70,000 hours

### PHYSICAL

**Mounting:** Mounts directly to standard recessed junction box with wall mount or twist-lock canopy. Additional holes allow unit to be attached directly to mounting surface. Not intended for open ceilings or surface mount conduit j-box applications. Recessed j-box must be flush with finished wall or ceiling surface.

**Housing:** Heavy-walled, extruded aluminum housing with high pressure die-cast lens ring and cap with stainless steel hardware.

**Finish:** Available in Black, Bronze, Graphite Grey, Silver, White and Custom Colors. Six stage chemical iron phosphate conversion pre-treatment. Polyester powder coat finish, 18 µm minimum, 5,000 hour salt spray test (ASTM B117) compliant with Florida / AAMA 2604 specification.

**Warranty:** 5-Year limited warranty

**Lens:** IK09 impact compliant, clear anti-glare tempered glass

**Ingress Protection:** Continuous silicone gasket to seal out contaminants, IP65 rated for dry, damp or wet locations. SF and SPM options are rated IP65 for cover ceiling application only.

**Weight:** 8-12 lbs (Depending on Length)

**Operating Temperature:** -22°F to 122°F (-30°C to 50°C)

### ELECTRICAL

**Voltage:** Universal 120 - 277 VAC standard, 347 VAC optional

**Power Supply:** Integral Class II, electronic high-power factor > .90, THD < 20%, FCC Title 47 Part 15 Class A.

**Power Consumption:** Maximum 35W

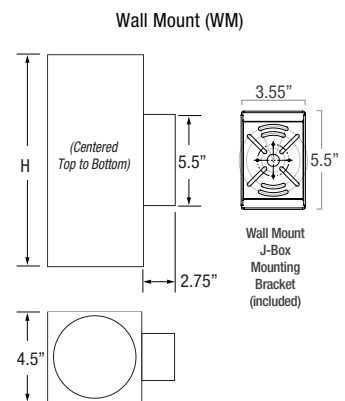
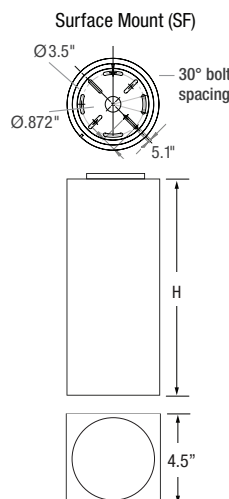
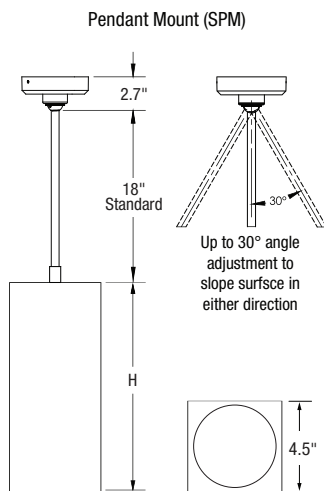
**Dimming: standard:** 0-10V, 1% Dimming, **optional:** ELV, TRIAC, dim to off, DMX, DALI

#### Standards:

- cETLus Listed, CE, NOM, and RoHS Compliant.
- Wet location listed for wall or ceiling mount IP65 Ingress protection.
- 1.5G (ANSI C136.31) Vibration resistance rated.
- IK09 (IEC6226) Impact resistance rated.
- IESNA LM79 Photometric testing by NVLAP accredited test lab.
- IESNA LM80 LED testing by NVLAP accredited test lab.
- IESNA TM21 Luminaire lumen depreciation projection to > 70,000hrs.

### PHYSICAL DIMENSIONS

Luminaire	Length (H)
FCC400-10	10.95" Height
FCC400-12	12.95" Height
FCC400-14	14.95" Height
FCC400-16	16.95" Height
FCC400-18	18.95" Height
FCC400-20	20.95" Height



# FCCSQ400R Four-Inch Square Cylinder – Wall, Pendant or Surface Mount Down Lighting

## PRODUCT CODE

EXAMPLE: FCCSQ400R-10-SPM-18-UNV-927-05L-BKE-15-ET-CV

MODEL	HEIGHT	MOUNTING	SUSP. LENGTH	VOLTAGE	COLOR	LUMENS	FINISH	OPTIC	DIMMING	OPTIONS	BATTERY/REMOTE DRIVER
FCCSQ400R											

**MODEL**  
**FCCSQ400R**  
 LED DRIVER REMOTE (INDOOR)  
 IP20, IK08, NEMA 1, -20°C to +50°C,  
 30' MAX Distance with 12AWG.  
 \*Consult factory for outdoor remote  
 driver only.

**HEIGHT**

10	10.95" Height
12	12.95" Height
14	14.95" Height
16	16.95" Height
18	18.95" Height
20	20.95" Height

**MOUNTING**

<b>SPM</b>	Slope Pendant
<b>SF</b>	Surface
<b>WM</b>	Wall

**SPM LENGTH**

Specify the optional suspension length in inches.  
 (Top of luminaire to ceiling) (SPM 18" Standard,  
 6"-120" Max; 61"-120" w/LD & ET Only and stem  
 comes in 2 sections) \*Consult factory & price guide  
 for other lengths.

**VOLTAGE**

<b>UNV</b>	Universal 120 - 277 VAC
<b>347V</b>	347 VAC

**COLOR**

<b>927</b>	(93CRI) 2700K
<b>930</b>	(93CRI) 3000K
<b>935</b>	(93CRI) 3500K
<b>940</b>	(93CRI) 4000K

**LUMENS typical**

<b>05L</b>	500 lm
<b>10L</b>	1000 lm
<b>15L</b>	1500 lm
<b>20L</b>	2000 lm
<b>25L</b>	2500 lm
<b>30L</b>	3000 lm

**FINISH**

<b>BKE</b>	Black
<b>BRE</b>	Bronze
<b>GRE</b>	Graphite Grey
<b>SLE</b>	Silver
<b>WHE</b>	White
<b>CCE</b>	Custom Color

**OPTIC typical**

<b>15</b>	Spot (15°) (20L Max)
<b>25</b>	Narrow Flood (25°)
<b>50</b>	Flood (50°)
<b>72</b>	Wide Flood (72°)
<b>90</b>	Flat (90°)

**w/SOFT FIELD**

<b>15S</b>	Spot (15°) (20L Max)
<b>25S</b>	Narrow Flood (25°)
<b>50S</b>	Flood (50°)
<b>72S</b>	Wide Flood (72°)
<b>90S</b>	Flat (90°)

**DIMMING**

<b>ET</b>	ELV or TRIAC Driver (120V Phase Dimming w/ UNV Driver) (20L-30L Only)
<b>LD</b>	0-10V Dimming, 1% (Standard)

\*All drivers listed above are remote.

**OPTIONS**

<b>CV</b>	Cut-Off Visor (Down Only)
-----------	---------------------------

**BATTERY/REMOTE DRIVER**

<b>BBUR</b>	BATTERY BACK-UP & LED DRIVER REMOTE (INDOOR), IP20, IK08, NEMA 1, 0°C to +48°C, 30' MAX Distance with 12AWG (w/UNV Option Only)
<b>BBUX</b>	BATTERY BACK-UP & LED DRIVER REMOTE (OUTDOOR), IP67, IK10, NEMA 4X, -20°C to +55°C, 30' MAX Distance with 12AWG (w/UNV Option Only)
<b>DRR</b>	LED Driver Only Remote (INDOOR) 30' MAX Distance with 12AWG (w/UNV Option Only)
<b>DRX</b>	LED Driver Only Remote (OUTDOOR) 30' MAX Distance with 12AWG (w/UNV Option Only)

# FCCSQ400R Four-Inch Square Cylinder – Wall, Pendant or Surface Mount Down Lighting

## LUMENS typical

Model	Watts	940
FCCSQ400R	5 W (Min)	500 lm (Min)
	35 W (Max)	3000 lm (Max)

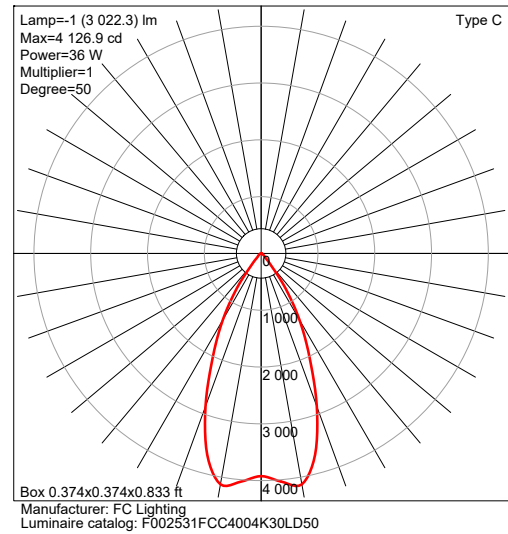
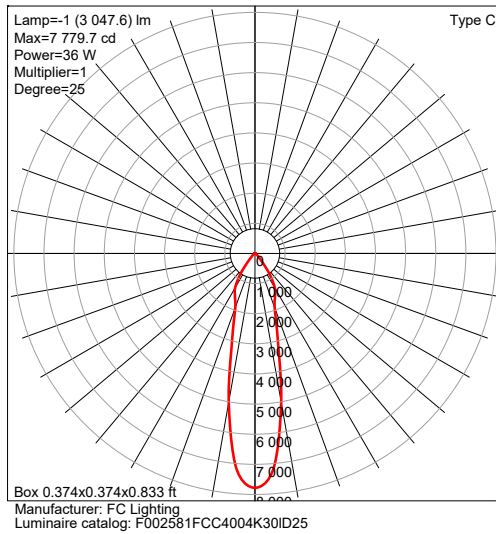
IES Multiplier	
Color	Multiplier
927	0.93
930	0.97
935	0.99
940	1.00

\*83CRI±1.15 Consult factory.

TRIAC & ELV Approved Dimmer List	
Manufacturer	Manufacturer Part Number
Lutron	Glyder GLV-600
	Diva DVLV-600P
	Diva DV-600P
	Diva DVELV-600P(303)
	Maestro MALV-600
	Nova T NT-1000
	Nova T NTELV-600
Leviton	Skylark SLV-600P
	RadioRA2-10ND
	SureSlide 6633
Illumatech IPE04	

0-10V Approved Dimmer List	
Manufacturer	Manufacturer Part Number
Lutron	Diva DVSTV-XX
	Diva DVSTV-453PH-WH1
Leviton	Illumatech 010-IP710-DLZ

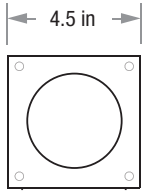
## PHOTOMETRICS



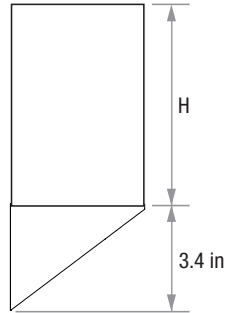
# FCCSQ400R Four-Inch Square Cylinder – Wall, Pendant or Surface Mount Down Lighting

## MORE DIMENSIONS

Cut-Off Visor (CV) *(Down Only)*



Bottom View

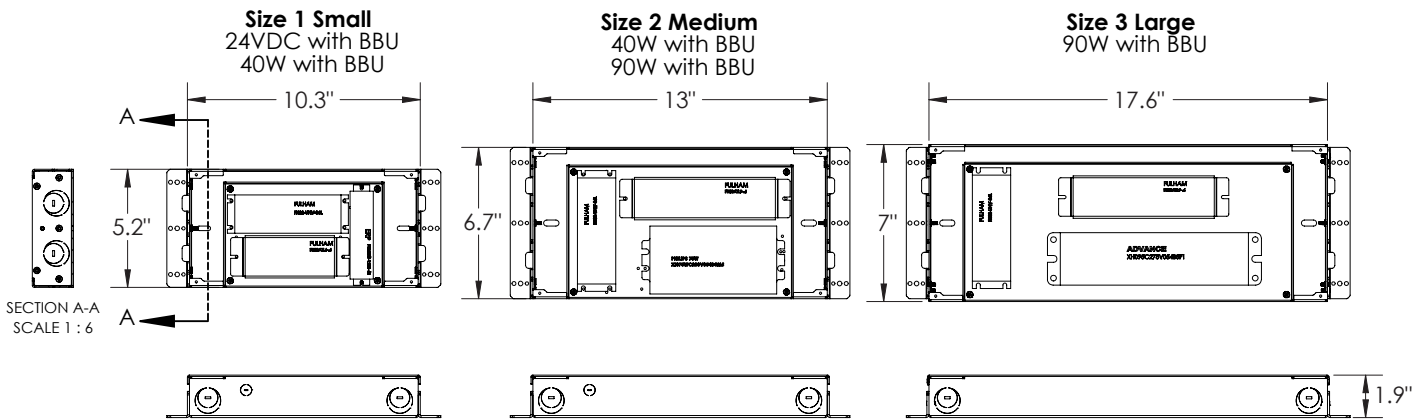


Side View

# FCCSQ400R Four-Inch Square Cylinder – Wall, Pendant or Surface Mount Down Lighting

## BATTERY BACK-UPS

**BBUR - BATTERY BACK-UP & LED DRIVER REMOTE (INDOOR), IP20, IK08, NEMA 1, 0°C to +48°C, 30' MAX Distance with 12AWG (w/UNV Option Only)**



**BBUX - BATTERY BACK-UP & LED DRIVER REMOTE (OUTDOOR), IP67, IK10, NEMA 4X, -20°C to +55°C, 30' MAX Distance with 12AWG (w/UNV Option Only)**

