

FCCSQ400 Four-Inch Square Cylinder – Pendant or Surface Mount Down Lighting

Standard Drivers without Battery Backup



FEATURES

- Up to 3500 lumens (4000K)
- Multiple mounting options
- Clear anti-glare tempered glass lens (IK09)
- The Soft Field Lens option provides diffusion, reduces glare, and enhances visual comfort.
- Multiple housing colors
- 0-10V 1% Dimming (Standard)
- 93 CRI with 2 SDCM

PERFORMANCE

Beam Spread: 15°, 25°, 50°, 72°, 90°
CCT Options: 2700K, 3000K, 3500K, 4000K
CRI: 93 CRI
Consistency: 2 SDCM (Luminaire to Luminaire)
Lumens: 500 - 3500 lumens (typical)
Lumen Maintenance: L70 > 70,000 hours

PHYSICAL

Mounting: Mounts directly to standard recessed junction box with wall mount or twist-lock canopy. Additional holes allow unit to be attached directly to mounting surface. Not intended for open ceilings or surface mount conduit j-box applications. Recessed j-box must be flush with finished wall or ceiling surface.

Housing: Heavy-walled, extruded aluminum housing with high pressure die-cast lens ring and cap with stainless steel hardware.

Finish: Available in Black, Bronze, Graphite Grey, Silver, White and Custom Colors. Six stage chemical iron phosphate conversion pre-treatment. Polyester powder coat finish, 18 µm minimum, 5,000 hour salt spray test (ASTM B117) compliant with Florida / AAMA 2604 specification.

Warranty: 5-Year limited warranty

Lens: IK09 impact compliant, clear anti-glare tempered glass

Ingress Protection: Continuous silicone gasket to seal out contaminants, IP65 rated for dry, damp or wet locations. SF and SPM options are rated IP65 for cover ceiling application only.

Weight: 8-12 lbs (Depending on Length)

Operating Temperature: -22°F to 122°F (-30°C to 50°C)

ELECTRICAL

Voltage: Universal 120 - 277 VAC standard, 347 VAC optional

Power Supply: Integral Class II, electronic high-power factor >.90, THD < 20%, FCC Title 47 Part 15 Class A.

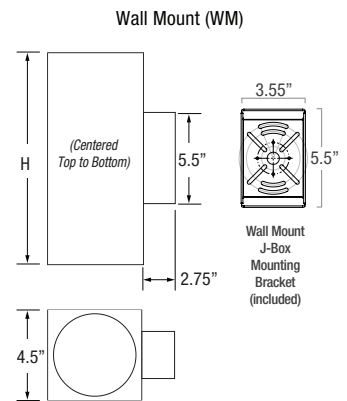
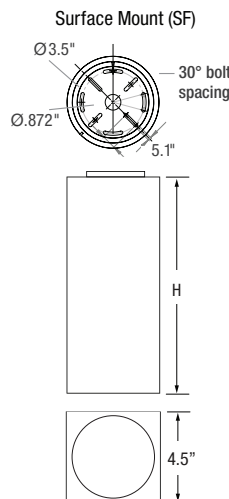
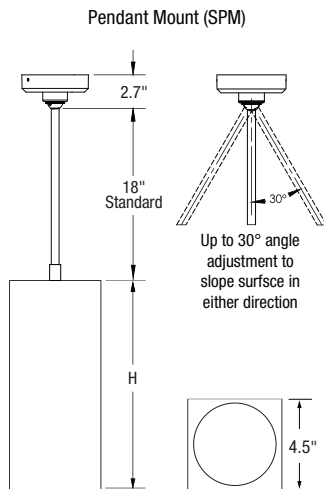
Power Consumption: Maximum 45W

Dimming: standard: 0-10V, 1% Dimming, **optional:** ELV, TRIAC, dim to off, DMX, DALI

- Standards:**
- cETLus Listed, CE, NOM, and RoHS Compliant.
 - Wet location listed for wall or ceiling mount IP65 Ingress protection.
 - IK09 (IEC6226) Impact resistance rated.
 - IESNA LM79 Photometric testing by NVLAP accredited test lab.
 - IESNA LM80 LED testing by NVLAP accredited test lab.
 - IESNA TM21 Luminaire lumen depreciation projection to > 70,000 hours.

PHYSICAL DIMENSIONS

Luminaire	Length (H)
FCC400-10	10.95" Height
FCC400-12	12.95" Height
FCC400-14	14.95" Height
FCC400-16	16.95" Height
FCC400-18	18.95" Height
FCC400-20	20.95" Height



Date: _____
 Type: _____
 Fixture: _____
 Project: _____

Approved: _____

FCCSQ400 Four-Inch Square Cylinder – Pendant or Surface Mount Down Lighting

PRODUCT CODE

EXAMPLE: FCCSQ400-10-SPM-18-UNV-927-05L-BKE-15-ET-CV

MODEL	HEIGHT	MOUNTING	SUSP. LENGTH	VOLTAGE	COLOR	LUMENS	FINISH	OPTIC	DIMMING	OPTIONS													
FCCSQ400																							
MODEL FCCSQ400		HEIGHT 10 10.95" Height 12 12.95" Height 14 14.95" Height 16 16.95" Height 18 18.95" Height 20 20.95" Height		MOUNTING SPM Slope Pendant SF Surface WM Wall		SPM LENGTH Specify the optional suspension length in inches. (Top of luminaire to ceiling) (SPM 18" Standard, 6"-120" Max; 61"-120" w/LD & ET Only and stem comes in 2 sections) *Consult factory & price guide for other lengths.		VOLTAGE UNV Universal 120 - 277 VAC 347V 347 VAC (15°: 20L only) (others: minimum 20L)		COLOR 927 (93CRI) 2700K 930 (93CRI) 3000K 935 (93CRI) 3500K 940 (93CRI) 4000K		LUMENS typical 05L 500 lm 10L 1000 lm 15L 1500 lm 20L 2000 lm 25L* 2500 lm 30L 3000 lm 35L 3500 lm *15 and 15S Beam Angle, 25L Max with 16" height minimum		FINISH BKE Black BRE Bronze GRE Graphite Grey SLE Silver WHE White CCE Custom Color		OPTIC typical 15 Spot (15°) (25L Max) 25 Narrow Flood (25°) 50 Flood (50°) 72 Wide Flood (72°) 90 Flat (90°)		w/SOFT FIELD 15S Spot (15°) (25L Max) 25S Narrow Flood (25°) 50S Flood (50°) 72S Wide Flood (72°) 90S Flat (90°)		DIMMING ET ELV or TRIAC Driver (120V Phase Dimming w/ UNV Driver) LD 0-10V Dimming, 1% (Standard)		OPTIONS CV Cut-Off Visor (Down Only)	

Due to continuous development and improvements, specifications are subject to change without notice. Product use certifies agreement to FC Lighting, Inc. terms and conditions.

FCCSQ400 Four-Inch Square Cylinder – Pendant or Surface Mount Down Lighting

LUMENS / WATTAGE typical

Model	Watts	Lumens
FCCSQ400	6.3 W	500 lm
15° Only	13 W	1000 lm
	19 W	1500 lm
	27 W	2000 lm
	35 W	2500 lm

Model	Watts	Lumens
FCCSQ400	6.3 W	500 lm
25°, 50°, 72°, 90°	12 W	1000 lm
	17 W	1500 lm
	23 W	2000 lm
	29 W	2500 lm
	36 W	3000 lm
	42 W	3500 lm

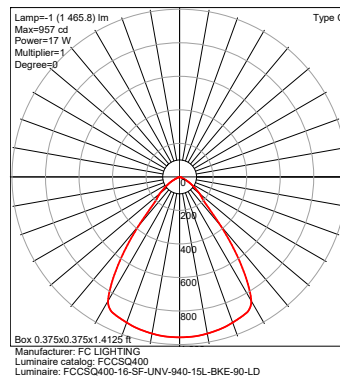
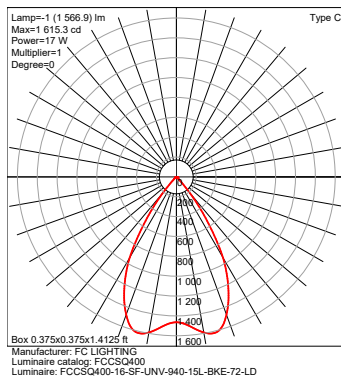
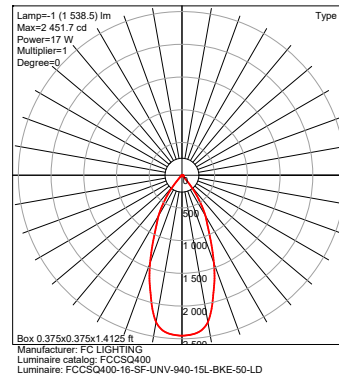
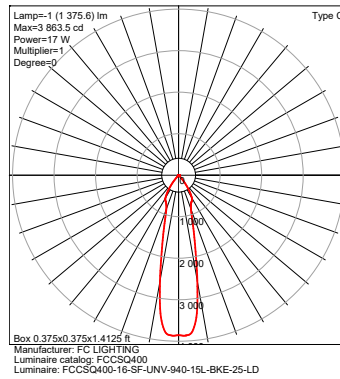
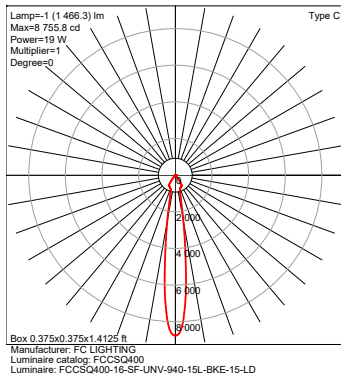
IES Multiplier	
Color	Multiplier
927	0.92
930	0.95
935	0.98
940	1.00

*83CRI@1.15 Consult factory.

TRIAC & ELV Approved Dimmer List	
Manufacturer	Manufacturer Part Number
Lutron	Glyder GLV-600
	Diva DVLV-600P
	Diva DV-600P
	Diva DVELV-600P(303)
	Maestro MALV-600
	Nova T NT-1000
	Nova T NTELV-600
Leviton	SureSlide 6633
	illumatech IPE04

0-10V Approved Dimmer List	
Manufacturer	Manufacturer Part Number
Lutron	Diva DVSTV-XX
	Diva DVSTV-453PH-WH1
Leviton	illumatech 010-IP710-DLZ

PHOTOMETRICS



Due to continuous development and improvements, specifications are subject to change without notice.

Product use certifies agreement to FC Lighting, Inc. terms and conditions.

© FC Lighting, Inc. 3609 Swenson Ave • St. Charles, IL • 60174 | fclighting.com | 800.900.1730

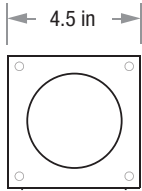
US Commercial Lighting Manufacturer Since 1982

RG-DM-011426

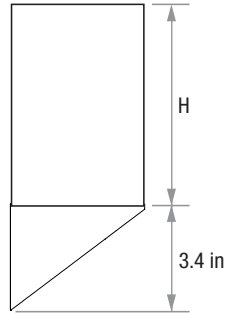
FCCSQ400 Four-Inch Square Cylinder – Pendant or Surface Mount Down Lighting

MORE DIMENSIONS

Cut-Off Visor (CV) *(Down Only)*



Bottom View



Side View