

Date: _____
 Type: _____
 Luminaire: _____
 Project: _____

Approved: _____

FCCSQ400 Four-Inch Square Cylinder – Wall Mount Up/Down or Up Lighting

Standard Drivers without Battery Backup



FEATURES

- Up to 4000 lumens (4000K)
- Operating Environment -22°F to 122°F (-30°C to 50°C)
- Clear anti-glare tempered glass lens (IK09)
- The Soft Field Lens option provides diffusion, reduces glare, and enhances visual comfort.
- Multiple housing colors
- Tri-Dimming (standard)
- 93 CRI with 2 SDCM

PERFORMANCE

Beam Spread: 15°, 25°, 50°, 72°, 90°
CCT Options: 2700K, 3000K, 3500K, 4000K
CRI: 93 CRI
Consistency: 2 SDCM (Luminaire to Luminaire)
Lumens: 500 - 4000 lumens (typical)
Lumen Maintenance: L70 > 70,000 hours

PHYSICAL

Mounting: Mounts directly to standard recessed junction box with wall mount or twist-lock canopy. Additional holes allow unit to be attached directly to mounting surface.

Housing: Heavy-walled, extruded aluminum housing with high pressure die-cast lens ring and cap with stainless steel hardware.

Finish: Available in Black, Bronze, Graphite Grey, Silver, White and Custom Colors. Six stage chemical iron phosphate conversion pre-treatment. Polyester powder coat finish, 18 µm minimum, 5,000 hour salt spray test (ASTM B117) compliant with Florida / AAMA 2604 specification.

Warranty: 5-Year limited warranty

Lens: IK09 impact compliant, clear anti-glare tempered glass

Ingress Protection: Continuous silicone gasket to seal out contaminants, IP65 rated for dry, damp or wet locations.

Weight: 8-12 lbs (Depending on Length)

Operating Temperature: -22°F to 122°F (-30°C to 50°C)

ELECTRICAL

Voltage: Universal 120 – 277 VAC standard, 347 VAC optional

Power Supply: Integral Class II, electronic high-power factor >.90, THD < 20%, FCC Title 47 Part 15 Class A.

Power Consumption: Maximum 43W

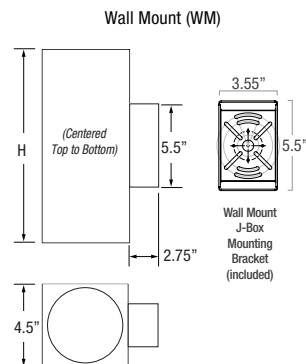
Dimming: standard: Tri-Dim

Standards:

- cETLus Listed, CE, NOM, and RoHS Compliant.
- Wet location listed for wall or ceiling mount IP65 Ingress protection
- IK09 (IEC6226) Impact resistance rated.
- IESNA LM79 Photometric testing by NVLAP accredited test lab.
- IESNA LM80 LED testing by NVLAP accredited test lab.
- IESNA TM21 Luminaire lumen depreciation projection to > 70,000 hours.

PHYSICAL DIMENSIONS

Luminaire	Height (H)
FCCSQ410W	10.95" Height (1 Integral Driver Only)
FCCSQ412W	12.95" Height (1 Integral Driver Only)
FCCSQ414W	14.95" Height
FCCSQ416W	16.95" Height
FCCSQ418W	18.95" Height
FCCSQ420W	20.95" Height (All above are Wall Mount Standard)



Date: _____
 Type: _____
 Fixture: _____
 Project: _____

Approved: _____

FCCSQ400 Four-Inch Square Cylinder – Wall Mount Up/Down or Up Lighting

PRODUCT CODE

EXAMPLE: FCCSQ410W-UNV-927-505L-BKE-D15U15-ET

MODEL	LENGTH	MOUNTING	VOLTAGE	COLOR	LUMENS	FINISH	DOWNLIGHT OPTICS	UPLIGHT OPTICS	DIMMING	OPTIONS																																																												
<div style="display: flex; justify-content: space-between; align-items: center;"> <div style="width: 20%;"> <p>MODEL</p> <p>FCCSQ410W 10.95" Height (1 Integral Driver Only)</p> <p>FCCSQ412W 12.95" Height (1 Integral Driver Only)</p> <p>FCCSQ414W 14.95" Height</p> <p>FCCSQ416W 16.95" Height</p> <p>FCCSQ418W 18.95" Height</p> <p>FCCSQ420W 20.95" Height (All above are Wall Mount Standard)</p> </div> <div style="width: 30%;"> <p>DOWN LUMENS (typical) UP LUMENS</p> <table border="1"> <thead> <tr> <th>NO</th> <th>No Light Option</th> <th></th> </tr> </thead> <tbody> <tr> <td>5</td> <td>500 lm</td> <td>05L</td> </tr> <tr> <td>10</td> <td>1000 lm</td> <td>10L</td> </tr> <tr> <td>15</td> <td>1500 lm</td> <td>15L</td> </tr> <tr> <td>20</td> <td>2000 lm</td> <td>20L</td> </tr> <tr> <td></td> <td>2500 lm</td> <td>25L</td> </tr> <tr> <td></td> <td>3000 lm</td> <td>30L</td> </tr> <tr> <td></td> <td>3500 lm</td> <td>35L</td> </tr> </tbody> </table> <p>Note: 2 Drivers are required for all uneven lumen outputs combinations. TD2 Dimming option required.</p> <p>See the Lumen Compatibility Matrix on page 3 for lumen combination height restrictions.</p> </div> <div style="width: 20%;"> <p>DOWN LIGHT OPTICS (typical) UPLIGHT OPTICS</p> <table border="1"> <thead> <tr> <th>DOWN LIGHT OPTICS</th> <th>(typical)</th> <th>UPLIGHT OPTICS</th> </tr> </thead> <tbody> <tr> <td>D15</td> <td>Spot (15°)</td> <td>U15</td> </tr> <tr> <td>D25</td> <td>Narrow Flood (25°)</td> <td>U25</td> </tr> <tr> <td>D50</td> <td>Flood (50°)</td> <td>U50</td> </tr> <tr> <td>D72</td> <td>Wide Flood (72°)</td> <td>U72</td> </tr> <tr> <td>D90</td> <td>Flat (90°)</td> <td>U90</td> </tr> </tbody> </table> <p>WITH SOFT FIELD LENS (Below)</p> <table border="1"> <thead> <tr> <th>DOWN LIGHT OPTICS</th> <th>(Below)</th> <th>UPLIGHT OPTICS</th> </tr> </thead> <tbody> <tr> <td>D15S</td> <td>Spot (15°)</td> <td>U15S</td> </tr> <tr> <td>D25S</td> <td>Narrow Flood (25°)</td> <td>U25S</td> </tr> <tr> <td>D50S</td> <td>Flood (50°)</td> <td>U50S</td> </tr> <tr> <td>D72S</td> <td>Wide Flood (72°)</td> <td>U72S</td> </tr> <tr> <td>D90S</td> <td>Flat (90°)</td> <td>U90S</td> </tr> </tbody> </table> <p>*15 degree beam angle cannot be mixed with other beam angles for single driver configurations.</p> </div> </div>											NO	No Light Option		5	500 lm	05L	10	1000 lm	10L	15	1500 lm	15L	20	2000 lm	20L		2500 lm	25L		3000 lm	30L		3500 lm	35L	DOWN LIGHT OPTICS	(typical)	UPLIGHT OPTICS	D15	Spot (15°)	U15	D25	Narrow Flood (25°)	U25	D50	Flood (50°)	U50	D72	Wide Flood (72°)	U72	D90	Flat (90°)	U90	DOWN LIGHT OPTICS	(Below)	UPLIGHT OPTICS	D15S	Spot (15°)	U15S	D25S	Narrow Flood (25°)	U25S	D50S	Flood (50°)	U50S	D72S	Wide Flood (72°)	U72S	D90S	Flat (90°)	U90S
NO	No Light Option																																																																					
5	500 lm	05L																																																																				
10	1000 lm	10L																																																																				
15	1500 lm	15L																																																																				
20	2000 lm	20L																																																																				
	2500 lm	25L																																																																				
	3000 lm	30L																																																																				
	3500 lm	35L																																																																				
DOWN LIGHT OPTICS	(typical)	UPLIGHT OPTICS																																																																				
D15	Spot (15°)	U15																																																																				
D25	Narrow Flood (25°)	U25																																																																				
D50	Flood (50°)	U50																																																																				
D72	Wide Flood (72°)	U72																																																																				
D90	Flat (90°)	U90																																																																				
DOWN LIGHT OPTICS	(Below)	UPLIGHT OPTICS																																																																				
D15S	Spot (15°)	U15S																																																																				
D25S	Narrow Flood (25°)	U25S																																																																				
D50S	Flood (50°)	U50S																																																																				
D72S	Wide Flood (72°)	U72S																																																																				
D90S	Flat (90°)	U90S																																																																				
<p>VOLTAGE</p> <p>UNV Universal 120 - 277 VAC</p> <p>347V* 347 VAC *(1 Integral Driver Only) (1010L and 1515L Only) (LD Dimming Only)</p>																																																																						
<p>COLOR</p> <table border="1"> <tbody> <tr> <td>927</td> <td>(93CRI) 2700K</td> </tr> <tr> <td>930</td> <td>(93CRI) 3000K</td> </tr> <tr> <td>935</td> <td>(93CRI) 3500K</td> </tr> <tr> <td>940</td> <td>(93CRI) 4000K</td> </tr> </tbody> </table> <p>Other CCT/CRI available upon request.</p>											927	(93CRI) 2700K	930	(93CRI) 3000K	935	(93CRI) 3500K	940	(93CRI) 4000K																																																				
927	(93CRI) 2700K																																																																					
930	(93CRI) 3000K																																																																					
935	(93CRI) 3500K																																																																					
940	(93CRI) 4000K																																																																					
<p>FINISH</p> <table border="1"> <tbody> <tr> <td>BKE</td> <td>Black</td> </tr> <tr> <td>BRE</td> <td>Bronze</td> </tr> <tr> <td>GRE</td> <td>Graphite Grey</td> </tr> <tr> <td>SLE</td> <td>Silver</td> </tr> <tr> <td>WHE</td> <td>White</td> </tr> <tr> <td>CCE</td> <td>Custom Color</td> </tr> </tbody> </table>											BKE	Black	BRE	Bronze	GRE	Graphite Grey	SLE	Silver	WHE	White	CCE	Custom Color																																																
BKE	Black																																																																					
BRE	Bronze																																																																					
GRE	Graphite Grey																																																																					
SLE	Silver																																																																					
WHE	White																																																																					
CCE	Custom Color																																																																					
<p>DIMMING</p> <p>LD 0-10V Dimming, 1% (347 VAC Only)</p> <p>TD Standard: Single Tri-Dim (1%, 0-10V, 120 - 277 VAC), (1%, TRIAC & ELV, 120 VAC Only) Driver</p> <p>TD2* Dual Tri-Dim (1%, 0-10V, 120 - 277 VAC), (1%, TRIAC & ELV, 120 VAC Only) Drivers</p> <p>*TD2 option required for uneven lumen output options.</p>																																																																						
<p>OPTIONS</p> <p>CV Cut-Off Visor (Down Only)</p>																																																																						

Due to continuous development and improvements, specifications are subject to change without notice.
 Product use certifies agreement to FC Lighting, Inc. terms and conditions.

FCCSQ400 Four-Inch Square Cylinder – Wall Mount Up/Down or Up Lighting

LUMENS / WATTAGE typical

Model	Watts	940
FCCSQ400W	12 W	500 lm
1 Integral Driver	22 W	1010 lm
15° Only	34 W	1515 lm
Other Angles	11 W	0505 lm
	22 W	1010 lm
	32 W	1515 lm
	43 W	2020 lm
	6.2 W	500 lm
FCCSQ400W	6.2 W	500 lm
2 Integral Drivers*	13 W	1000 lm
15° Only	19 W	1500 lm
Other Angles	26 W	2000 lm
	35 W	2500 lm
	6.3 W	500 lm
	12 W	1000 lm
	17 W	1500 lm
	22 W	2000 lm
	29 W	2500 lm
	36 W	3000 lm
	42 W	3500 lm

IES Multiplier	
Color	Multiplier
927	0.92
930	0.95
935	0.98
940	1.00

*83CRI≤1.15 Consult factory.

TRIAC & ELV Approved Dimmer List	
Manufacturer	Manufacturer Part Number
Lutron	Glyder GLV-600
	Diva DVLV-600P
	Diva DV-600P
	Diva DVELV-600P(303)
	Maestro MALV-600
	Nova T NT-1000
	Nova T NTELV-600
	Skylark SLV-600P
RadioRA2-10ND	
Leviton	SureSlide 6633
	Illumatech IPE04

0-10V Approved Dimmer List	
Manufacturer	Manufacturer Part Number
Lutron	Diva DVSTV-XX
	Diva DVSTV-453PH-WH1
Leviton	Illumatech 010-IP710-DLZ

*Add the wattages for each lumen package selected to get total wattage.

LUMEN COMPATIBILITY MATRIX

*If optic selected in either direction is 15 or 15S, use top table. Otherwise, use bottom table.

FCC400WUD		UP LUMENS - 15° ONLY						
		05L	10L	15L	20L	25L	30L	35L
DOWN LUMENS	NO	MIN 10"	MIN 10"	MIN 10"	MIN 10"	MIN 10"		
	05L	MIN 10"	MIN 14"	MIN 14"	MIN 14"			
	10L	MIN 14"	MIN 10"	MIN 14"				
	15L	MIN 14"	MIN 14"	MIN 10"				
	20L	MIN 14"	MIN 14"					

FCC400WUD		UP LUMENS - OTHER ANGLES						
		05L	10L	15L	20L	25L	30L	35L
DOWN LUMENS	NO	MIN 10"	MIN 10"	MIN 10"	MIN 10"	MIN 10"	MIN 14"	MIN 14"
	05L	MIN 10"	MIN 14"	MIN 14"	MIN 14"			
	10L	MIN 14"	MIN 10"	MIN 14"	MIN 14"			
	15L	MIN 14"	MIN 14"	MIN 10"				
	20L	MIN 14"	MIN 14"	MIN 14"	MIN 10"			

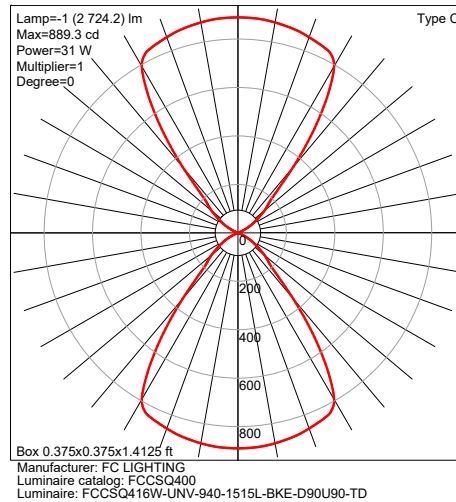
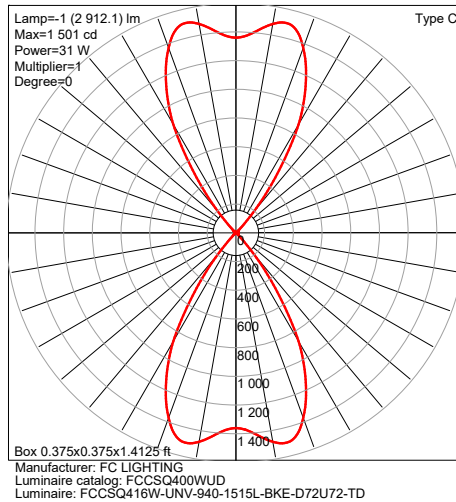
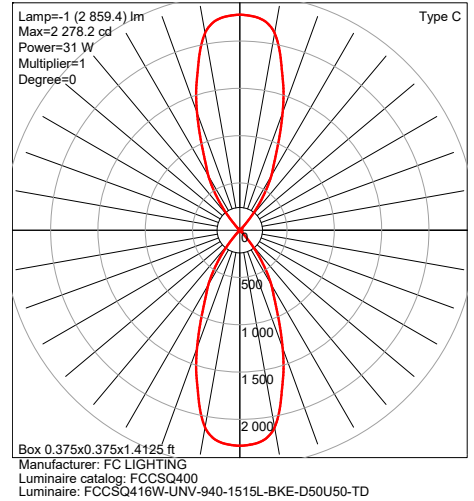
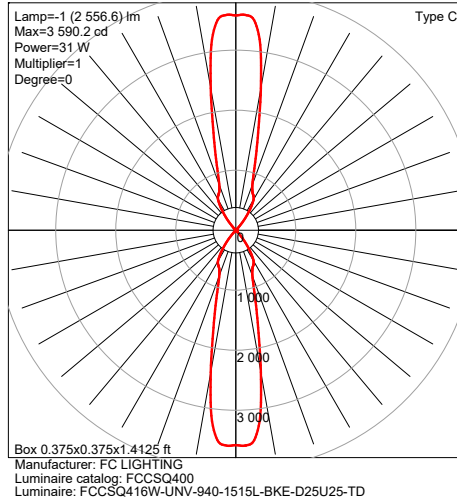
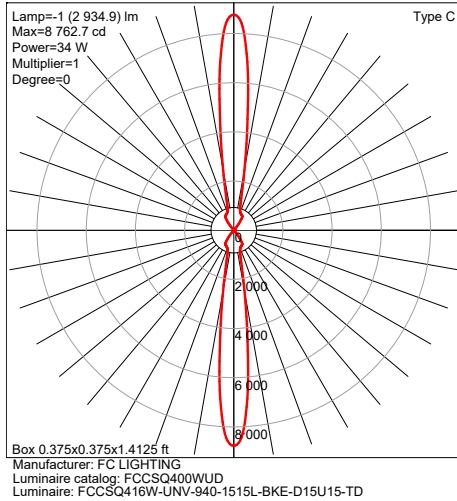
Notes: Blank cells mean there is NO compatibility.

*2 Drivers are required for all uneven lumen outputs combinations. TD2 Dimming option required.



FCCSQ400 Four-Inch Square Cylinder – Wall Mount Up/Down or Up Lighting

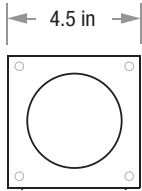
PHOTOMETRICS



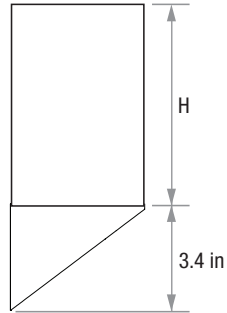
FCCSQ400 Four-Inch Square Cylinder – Wall Mount Up/Down or Up Lighting

MORE DIMENSIONS

Cut-Off Visor (CV) *(Down Only)*



Bottom View



Side View