

Date:	Approved:
Type:	
Fixture:	
Project:	

# FCCSQ600R Six-Inch Square Wall Mount Exterior Cylinder

Up/Down or Up Lighting with Remote Drivers and Battery Backup



## FEATURES

- Up to 5000 lumens (4000K)
- Multiple mounting options
- Clear lens with anti-glare tempered glass (IK09)
- The Soft Field Lens option provides diffusion, reduces glare, and enhances visual comfort.
- Multiple housing colors
- 0-10V 1% Dimming (Standard)
- 93 CRI with 2 SDCM

## PERFORMANCE

**Beam Spread:** 15°, 25°, 40°, 50°, 72°  
**CCT Options:** 2700K, 3000K, 3500K, 4000K  
**CRI:** 93 CRI  
**Consistency:** 2 SDCM (Luminaire to Luminaire)  
**Lumens:** 500 - 5000 lumens (nominal)  
**Lumen Maintenance:** L70 >70,000 hours

## PHYSICAL

**Mounting:** Mounts directly to standard recessed junction box with wall mount or twist-lock canopy. Additional holes allow unit to be attached directly to mounting surface.

**Housing:** Heavy-walled, extruded aluminum housing with high pressure die-cast lens ring and cap with stainless steel hardware.

**Finish:** Available in Black, Bronze, Graphite Grey, Silver, White and Custom Colors. Six stage chemical iron phosphate conversion pre-treatment. Polyester powder coat finish, 18 µm Min., 5,000 hour salt spray test (ASTM B117) compliant with Florida / AAMA 2604 specification.

**Warranty:** 5-Year limited warranty

**Lens:** IK09 impact compliant, clear anti-glare tempered glass

**Ingress Protection:** Continuous silicone gasket to seal out contaminants, IP65 rated for dry, damp or wet locations.

**Weight:** 8-12 lbs (Depending on Length)

**Operating Temperature:** -22°F to 122°F (-30°C to 50°C)

## ELECTRICAL

**Voltage:** Universal 120 - 277 VAC standard, 347 VAC optional

**Power Supply:** Integral Class II, electronic high-power factor >.90, THD < 20%, FCC Title 47 Part 15 Class A.

**Power Consumption:** Maximum 53W

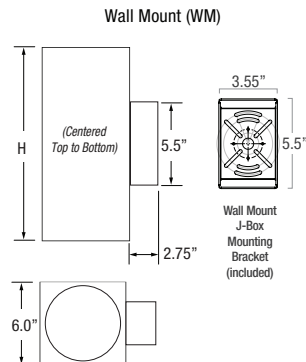
**Dimming:** Standard: 0-10V, 1% Dimming, **Optional:** ELV, TRIAC, dim to off

**Standards:**

- cETLus Listed, CE, NOM, and RoHS Compliant.
- Wet location listed for wall or ceiling mount IP65 Ingress protection.
- IK09 (IEC6226) Impact resistance rated.
- IESNA LM79 Photometric testing by NVLAP accredited test lab.
- IESNA LM80 LED testing by NVLAP accredited test lab.
- IESNA TM21 Luminaire lumen depreciation projection to >70,000 hours.

## PHYSICAL DIMENSIONS

Luminaire	Height
FCCSQ6R10W	10.95" Height
FCCSQ6R12W	12.95" Height
FCCSQ6R14W	14.95" Height
FCCSQ6R16W	16.95" Height
FCCSQ6R18W	18.95" Height
FCCSQ6R20W	20.95" Height
	(All above are Wall Mount Standard)



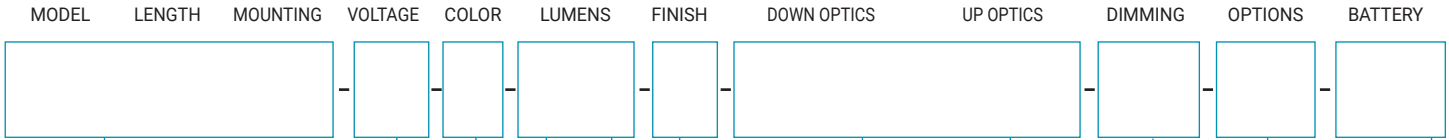
Date: \_\_\_\_\_  
 Type: \_\_\_\_\_  
 Fixture: \_\_\_\_\_  
 Project: \_\_\_\_\_

Approved: \_\_\_\_\_

# FCCSQ600R Six-Inch Square Wall Mount Exterior Cylinder

## PRODUCT CODE

EXAMPLE: FCCSQ6R10W-UNV-927-505L-BKE-D15U15-ET



MODEL	
FCCSQ6R10W	10.95" Height
FCCSQ6R12W	12.95" Height
FCCSQ6R14W	14.95" Height
FCCSQ6R16W	16.95" Height
FCCSQ6R18W	18.95" Height
FCCSQ6R20W	20.95" Height
(All above are Wall Mount Standard)	

DOWN LUMENS (nominal) UP LUMENS		
NO	No Light Option	
5	500 lm	05L
10	1000 lm	10L
15	1500 lm	15L
20	2000 lm	20L
25	2500 lm	25L
30	3000 lm	30L
35	3500 lm	35L
40	4000 lm	40L
45	4500 lm	45L
50	5000 lm	50L

DOWN OPTICS	(nominal)	UP OPTICS
D15	Spot (15°) (15L Max)	U15
D25	Narrow Flood (25°)	U25
D40	Mid Flood (40°)	U40
D50	Flood (50°)	U50
D72	Wide Flood (72°)	U72

WITH SOFT FIELD LENS		
D15S	Spot (15°) (15L Max)	U15S
D25S	Narrow Flood (25°)	U25S
D40S	Mid Flood (40°)	U40S
D50S	Flood (50°)	U50S
D72S	Wide Flood (72°)	U72S

DIMMING	
ET	Single ELV / TRIAC Driver (120V Phase Dimming w/ UNV Driver) (20L-45L Only)
LD	Single 0-10V Dimming, 1% Driver
ET2	Dual ELV / TRIAC Drivers (120V Phase Dimming w/ UNV Drivers) (20L-45L Only)
LD2	Dual 0-10V Dimming, 1% Drivers

**\*ET2 or LD2 required to be selected when the 2 drivers option is selected**

VOLTAGE	
UNV	Universal 120 - 277 VAC
347V	347 VAC

COLOR	
927	(93CRI) 2700K
930	(93CRI) 3000K
935	(93CRI) 3500K
940	(93CRI) 4000K

FINISH	
BKE	Black
BRE	Bronze
GRE	Graphite Grey
SLE	Silver
WHE	White
CCE	Custom Color

OPTIONS	
CV	Cut-Off Visor

BATTERY	
BBUR	BATTERY BACK-UP & LED DRIVER REMOTE (INDOOR), IP20, IK08, NEMA 1, 0°C to +48°C, 30' MAX Distance with 12AWG (w/UNV Option Only)
BBUX	BATTERY BACK-UP & LED DRIVER REMOTE (OUTDOOR), IP67, IK10, NEMA 4X, -20°C to +55°C, 30' MAX Distance with 12AWG (w/UNV Option Only)

Due to continuous development and improvements, specifications are subject to change without notice. Product use certifies agreement to FC Lighting, Inc. terms and conditions.

# FCCSQ600R Six-Inch Square Wall Mount Exterior Cylinder

## LUMENS / WATTAGE nominal

Model	Watts	940
FCCSQ6R	5W (Min)	500 lm (Min)
	53W (Max)	5000 lm (Max)

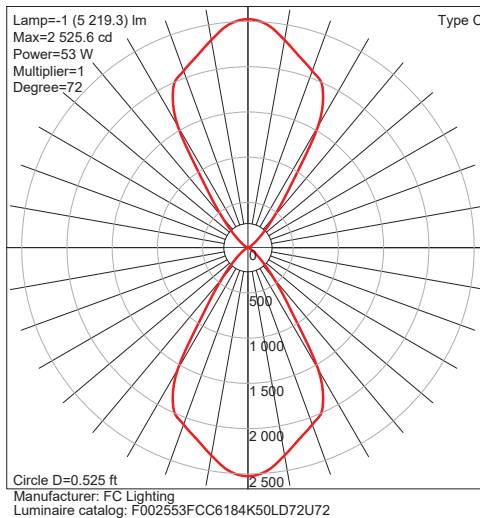
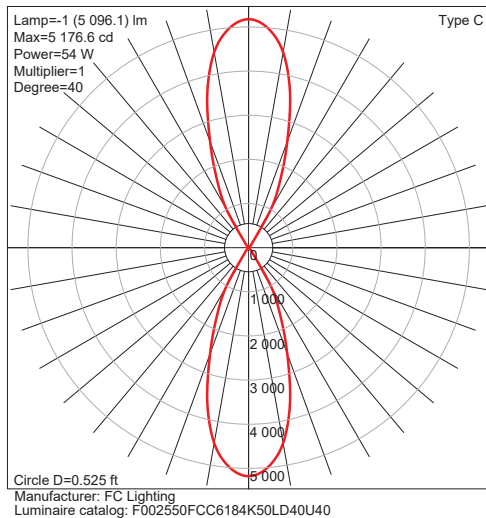
IES Multiplier	
Color	Multiplier
927	0.93
930	0.97
935	0.99
940	1.00

\*83CRI@1.15 Consult factory.

TRIAC & ELV Approved Dimmer List	
Manufacturer	Manufacturer Part Number
Lutron	Glyder GLV-600
	Diva DVLV-600P
	Diva DV-600P
	Diva DVELV-600P(303)
	Maestro MALV-600
	Nova T NT-1000
	Nova T NTELV-600
Leviton	Skylark SLV-600P
	RadioRA2-10ND
	SureSlide 6633
	Illumatech IPE04

0-10V Approved Dimmer List	
Manufacturer	Manufacturer Part Number
Lutron	Diva DVSTV-XX
	Diva DVSTV-453PH-WH1
Leviton	Illumatech 010-IP710-DLZ

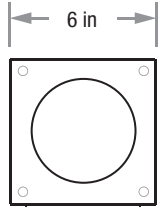
## PHOTOMETRICS



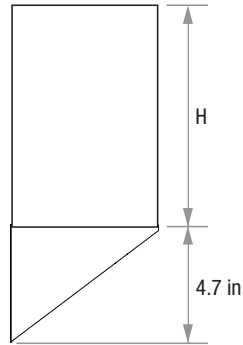
## FCCSQ600R Six-Inch Square Wall Mount Exterior Cylinder

### MORE DIMENSIONS

Cut-Off Visor (CV)



Bottom View

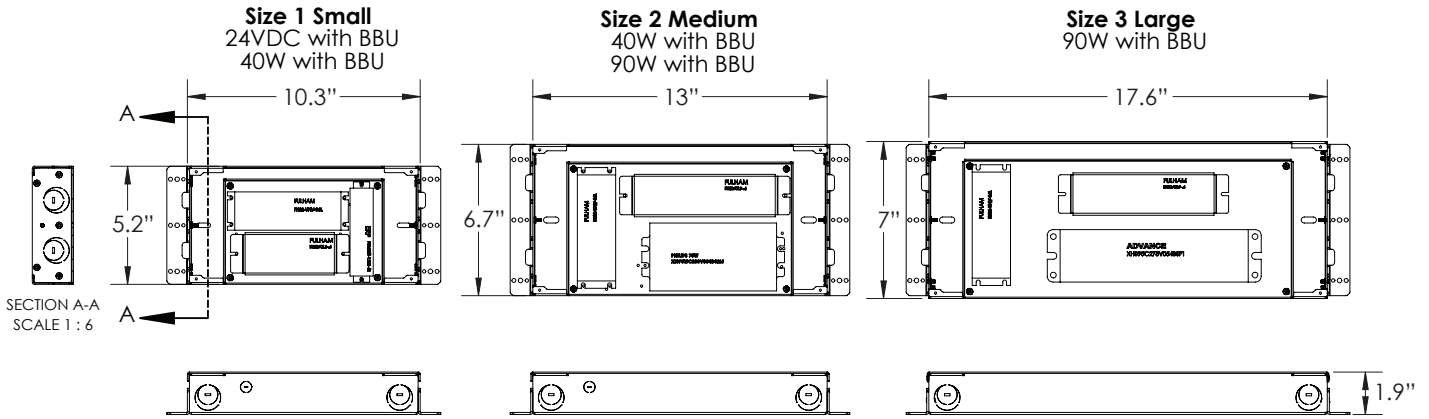


Side View

# FCCSQ600R Six-Inch Square Wall Mount Exterior Cylinder

## BATTERY BACK-UPS

**BBUR - BATTERY BACK-UP & LED DRIVER REMOTE (INDOOR), IP20, IK08, NEMA 1, 0°C to +48°C, 30' MAX Distance with 12AWG (w/UNV Option Only)**



**BBUX - BATTERY BACK-UP & LED DRIVER REMOTE (OUTDOOR), IP67, IK10, NEMA 4X, -20°C to +55°C, 30' MAX Distance with 12AWG (w/UNV Option Only)**

