

FCCSQ6GA Six-Inch Square Cylinder – Wall, Pendant, or Surface Mount Down Lighting

Adjustable Gimbal Ring without Battery Backup



FEATURES

- Up to 4000 lumens (4000K)
- Adjustable gimbal ring w/ 32° Tilt, 359° Rotate
- Clear anti-glare tempered glass lens (IK08)
- Multiple housing colors
- Tri-Dim (0-10V 1% UNV, TRIAC & ELV 120V) (Standard)
- 93 CRI with 2 SDCM

PERFORMANCE

- Beam Spread:** 25°, 45°, 65°
- CCT Options:** 2700K, 3000K, 3500K, 4000K
- CRI:** 93 CRI
- Consistency:** 2 SDCM (Luminaire to Luminaire)
- Lumens:** 2500 - 4000 lumens (typical)
- Lumen Maintenance:** L70 > 70,000 hours

PHYSICAL

Mounting: Mounts directly to standard recessed junction box with wall mount or twist-lock canopy. Additional holes allow unit to be attached directly to mounting surface. Not intended for open ceilings or surface mount conduit j-box applications. Recessed j-box must be flush with finished wall or ceiling surface.

Housing: Heavy-walled, extruded aluminum housing with high pressure die-cast lens ring, wall mount, twist-lock canopy, swivel holder and cap with stainless steel hardware.

Finish: Available in Black, Bronze, Graphite Grey, Silver, White and Custom Colors. Six stage chemical iron phosphate conversion pre-treatment. Polyester powder coat finish, 18 µm minimum, 5,000 hour salt spray test (ASTM B117) compliant with Florida / AAMA 2604 specification.

Warranty: 5-Year limited warranty

Lens: IK08 impact compliant, clear anti-glare tempered glass

Ingress Protection: Continuous silicone gasket to seal out contaminants, IP65 rated for dry, damp or wet locations. SF and SPM options are rated IP65 for cover ceiling application only.

Weight: 8-12 lbs (Depending on Length)

Operating Temperature: -22°F to 122°F (-30°C to 50°C)

ELECTRICAL

Voltage: Universal 120 - 277 VAC standard, 347 VAC optional

Power Supply: Integral Class II, electronic high-power factor >.90, THD < 20%, FCC Title 47 Part 15 Class A

Power Consumption: Maximum 38W

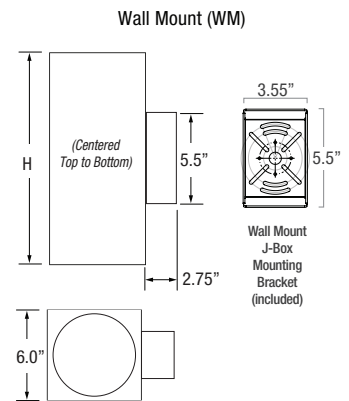
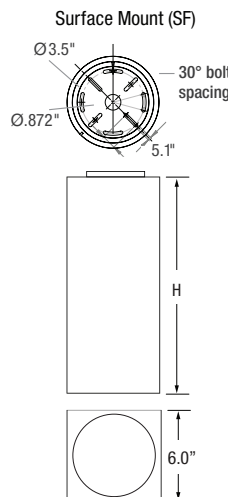
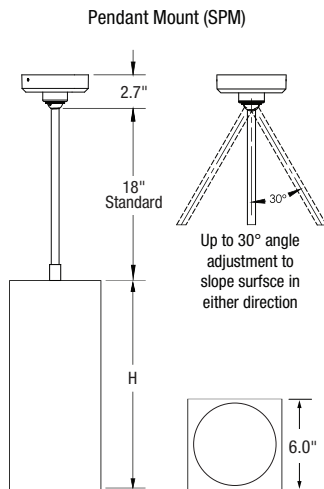
Dimming: Standard: Tri-Dim includes 0-10V, 1%, TRIAC and ELV Dimming

Standards:

- cETLus Listed, CE, NOM, and RoHS Compliant.
- Wet location listed for wall or ceiling mount IP65 Ingress protection.
- 1.5G (ANSI C136.31) Vibration resistance rated.
- IK08 (IEC6226) Impact resistance rated.
- IESNA LM79 Photometric testing by NVLAP accredited test lab.
- IESNA LM80 LED testing by NVLAP accredited test lab.
- IESNA TM21 Luminaire lumen depreciation projection to > 70,000 hours.

PHYSICAL DIMENSIONS

Luminaire	Length (H)
FCCSQ6GA-10	10.95" Height
FCCSQ6GA-12	12.95" Height
FCCSQ6GA-14	14.95" Height
FCCSQ6GA-16	16.95" Height
FCCSQ6GA-18	18.95" Height
FCCSQ6GA-20	20.95" Height



Date: _____
 Type: _____
 Luminaire: _____
 Project: _____

Approved: _____

FCCSQ6GA Six-Inch Square Cylinder – Wall, Pendant, or Surface Mount Down Lighting

PRODUCT CODE

EXAMPLE: FCCSQ6GA-10-SPM-18-UNV-927-25L-BKE-25-TD-HC

MODEL	HEIGHT	MOUNTING	SUSP. LENGTH	VOLTAGE	COLOR	LUMENS	FINISH	OPTIC	DIMMING	OPTIONS
FCCSQ6GA										

MODEL
 FCCSQ6GA

HEIGHT

10	10.95" Height
12	12.95" Height
14	14.95" Height
16	16.95" Height
18	18.95" Height
20	20.95" Height

MOUNTING

SPM	Slope Pendant
SF	Surface
WM	Wall

SPM LENGTH

Specify the optional suspension length in inches. (Top of luminaire to ceiling) (SPM 18" Standard, 6"-120" Max; 61"-120" w/LD & ET Only and stem comes in 2 sections) *Consult factory & price guide for other lengths.

VOLTAGE

UNV	Universal 120 - 277 VAC
347V	347 VAC

COLOR

927	(93CRI) 2700K
930	(93CRI) 3000K
935	(93CRI) 3500K
940	(93CRI) 4000K

LUMENS typical

25L	2500 lm @ 23W
30L	3000 lm @ 28W
35L	3500 lm @ 33W
40L	4000 lm @ 38W

FINISH

BKE	Black
BRE	Bronze
GRE	Graphite Grey
SLE	Silver
WHE	White
CCE	Custom Color

OPTIC typical

25	Spot (25°)
45	Mid Spot (45°)
65	Flood (65°)

DIMMING

TD	Tri-Dim (0-1V 1%, TRIAC & ELV) (120V Phase Dimming w/ UNIV Driver) (Standard)
LD347	0-10V 1% (347 VAC Only)

OPTIONS

HC	Honeycomb Louver
-----------	------------------

FCCSQ6GA Six-Inch Square Cylinder – Wall, Pendant, or Surface Mount Down Lighting

LUMENS typical

Model	Watts	940
FCCSQ6GA	23 W	2500 lm
	28 W	3000 lm
	33 W	3500 lm
	38 W	4000 lm

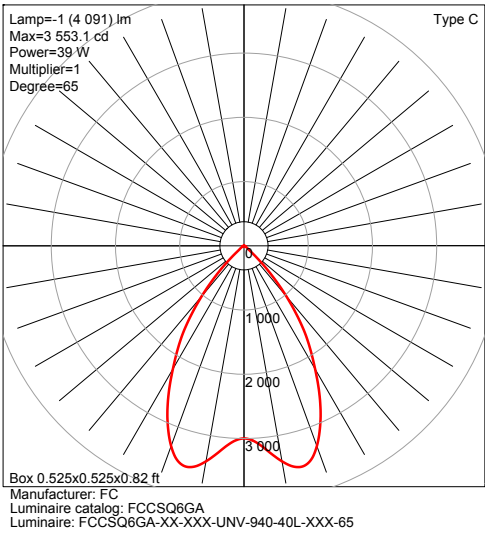
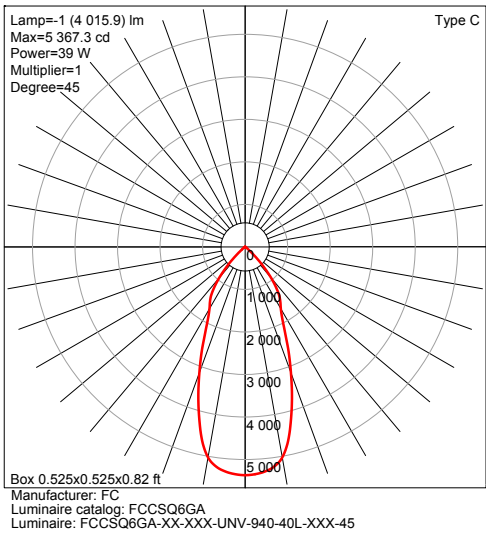
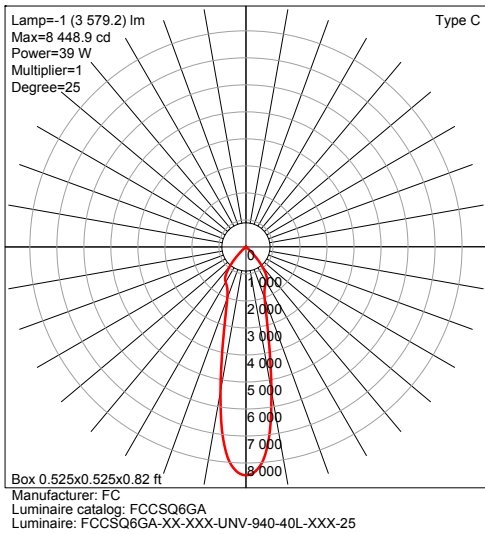
IES Multiplier	
Color	Multiplier
927	0.92
930	0.96
935	0.98
940	1.00

*83CR15.15 Consult factory.

TRIAC & ELV Approved Dimmer List	
Manufacturer	Manufacturer Part Number
Lutron	Glyder GLV-600
	Dival DVLV-600P
	Dival DV-600P
	Dival DVELV-600P(303)
	Maestro MALV-600
	Nova T NT-1000
	Nova T NTELV-600
	Skylark SLV-600P
Leviton	RadioRA2-10ND
	SureSlide 6633
	Illumatech IPE04

0-10V Approved Dimmer List	
Manufacturer	Manufacturer Part Number
Lutron	Dival DVSTV-XX
	Dival DVSTV-453PH-WH1
Leviton	Illumatech 010-IP710-DLZ

PHOTOMETRICS



Due to continuous development and improvements, specifications are subject to change without notice.
Product use certifies agreement to FC Lighting, Inc. terms and conditions.

FCCSQ6GA Six-Inch Square Cylinder – Wall, Pendant, or Surface Mount Down Lighting

MORE DIMENSIONS

H = 10.95" – 20.95

