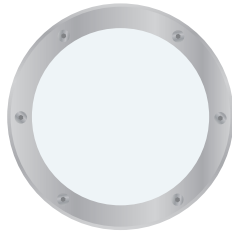


Date:	Approved:
Type:	
Fixture:	
Project:	

FCD1214R

12" Round Recessed LED Inground.



EXAMPLE: FCD1214R-120V-3K-CRI84-20L-SS-FL-DL

ORDERING INFORMATION

FCD1214R				20L	SS		
SERIES	VOLTAGE	CCT	CRI	LUMENS	FINISH	LED OPTICS	OPTIONS
FCD1214R	120V 120 Volt	27K 2700K	CRI84 84 CRI	20L 2000 lm (25W)	SS Stainless Steel	SP Spot	DL Directional Louver (Clear Lens Only)
	277V 277 Volt	3K 3000K	CRI90 90 CRI			NFL Narrow Flood	SR Slip Resistant (Frosted Lens)
		35K 3500K				FL Flood	WL White Lens (WFL Only)
		4K 4000K				WFL Wide Flood	

REMOTE DRIVER & BATTERY BACKUP

FCD1214RR				20L	SS		
SERIES	VOLTAGE	CCT	CRI	LUMENS	FINISH	LED OPTICS	OPTIONS
FCD1214RR [†]	120V 120 Volt	27K 2700K	CRI84 84 CRI	20L 2000 lm (25W)	SS Stainless Steel	SP Spot	DL Directional Louver (Clear Lens Only)
	277V 277 Volt	3K 3000K	CRI90 90 CRI			NFL Narrow Flood	SR Slip Resistant (Frosted Lens)
		35K 3500K				FL Flood	WL White Lens (WFL Only)
		4K 4000K				WFL Wide Flood	BBUR ¹ Battery Backup Remote (Indoor)

[†] LED DRIVER REMOTE (INDOOR) IP20, IK08, NEMA 1, -20°C to +50°C, 30' MAX Distance with 12AWG.

* Consult factory for outdoor remote driver only.

¹ Battery Back-up & LED Driver Remote (INDOOR), IP20, IK08, NEMA 1, 0°C to +48°C, 30' MAX Distance with 12AWG (w/UNV Option Only)

² Battery Back-up & LED Driver Remote (OUTDOOR), IP67, IK10, NEMA 4X, -20°C to +55°C, 30' MAX Distance with 12AWG (w/UNV Option Only)

BBUR¹ Battery Backup Remote (Indoor)

BBUX² Battery Backup Remote (Outdoor)

N/A Leave Blank for Remote Driver Only (without Battery Backup)

SPECIFICATION

MOUNTING

- Concrete pour, requires drainage.

CONSTRUCTION

- Marine grade, corrosion resistant, heavy walled, high pressure die-cast aluminum construction. Faceplate is 316 machined stainless steel.
- Lens is 3/8" thick clear tempered (*white lens-WFL only*), standard.
- Extruded silicone to provide maximum protection against contaminants.

LED

- Lumens stated are the minimum delivered out of the luminaire. LED lifetime is greater than or equal to 70,000 hours with the lumen depreciation greater than L70. All of our luminaires are LM-80 tested and are ≥ CRI80, with a 4 SDCM color consistency. Integral power supply standard. Input voltage 120V or 277V standard. Consult factory for dimming and any non-white static color LED options.

FINISH

- Six stage chemical iron phosphate conversion pre-treatment. Polyester powder coat finish, 18 μm Min., 5000hr salt spray test (ASTM B117) compliant with Florida / AAMA 2604 specification. 5 year limited warranty.

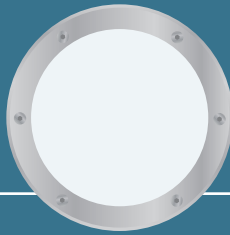
ELECTRICAL

- Driver:** Electronic universal voltage 120V or 277V is standard. Please consult factory for other voltage options.

LISTING

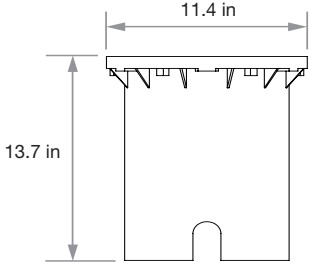
- ETL, U.S. and CA listed for wet locations. IP67 Rating.

Due to continuous development and improvements, specifications are subject to change without notice. FC Lighting reserves the right to change lab test details or specifications without notice. Product use certifies agreement to FC Lighting terms and conditions. FCC Series Cylinder Lights are engineered and produced in our Illinois manufacturing facility.



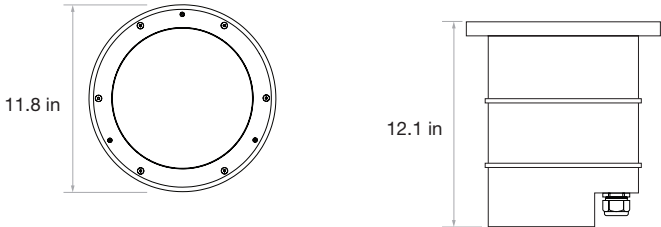
Dimensions

ACCESSORIES – PVC Housing



DIMENSIONS

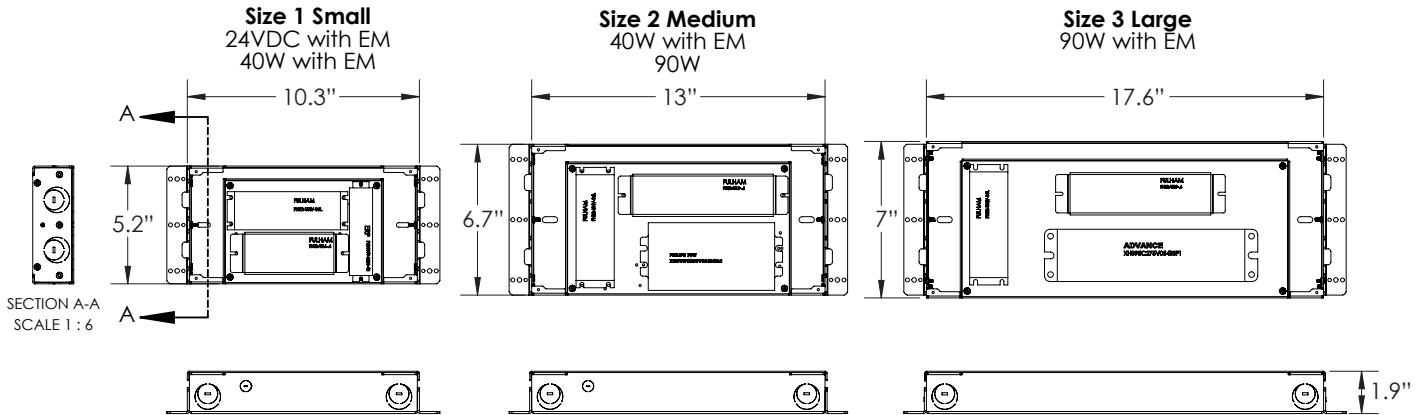
FCD1214R



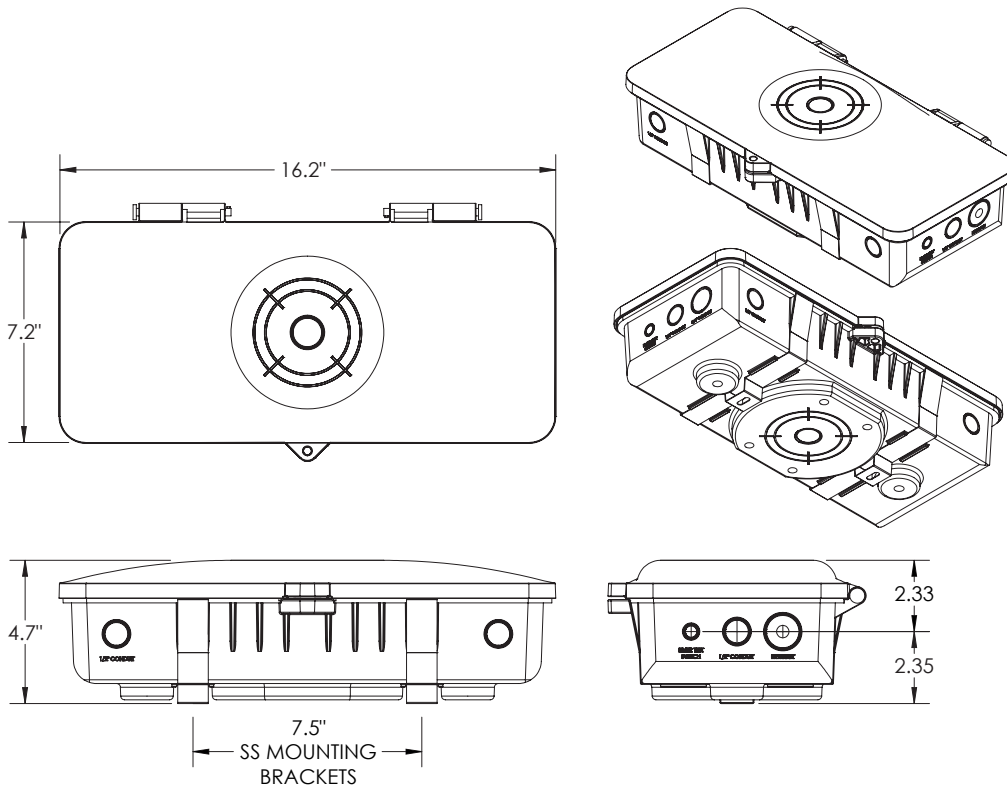
Due to continuous development and improvements, specifications are subject to change without notice. FC Lighting reserves the right to change lab test details or specifications without notice. Product use certifies agreement to FC Lighting terms and conditions. FCC Series Cylinder Lights are engineered and produced in our Illinois manufacturing facility.

BATTERY BACK-UPS

BBUR - BATTERY BACK-UP & LED DRIVER REMOTE (INDOOR), IP20, IK08, NEMA 1, 0°C to +48°C, 30' MAX Distance with 12AWG (w/UNV Option Only)



BBUX - BATTERY BACK-UP & LED DRIVER REMOTE (OUTDOOR), IP67, IK10, NEMA 4X, -20°C to +55°C, 30' MAX Distance with 12AWG (w/UNV Option Only)



Due to continuous development and improvements, specifications are subject to change without notice. FC Lighting reserves the right to change lab test details or specifications without notice. Product use certifies agreement to FC Lighting terms and conditions. FCC Series Cylinder Lights are engineered and produced in our Illinois manufacturing facility.