

Date:	Approved:
Type:	
Fixture:	
Project:	

FCD601

6" Round LED Inground.



FCD601 6 inch round inground recessed fixture with a stainless steel faceplate is IP67 rated for exterior use where inground applications are required.



SPECIFICATIONS

PHYSICAL

beam spread	LED optics: Wide Flood (70°; image free white lens)
dimensions	fixture: 5.8" Ø x 5.31" D PVC housing: 5.5"Ø x 5.34" D
weight	4.25 lbs
housing	marine grade, corrosion resistant, high pressure aluminum (includes mounting sleeve)
lens	3/8" thick clear tempered, standard. optional: SR = Slip Resistance, etched lens on outer surface
mounting	concrete pour installation (mounting sleeve included) - drainage required (Improperly installed fixtures will void warranty)
ingress protection	IP67 : dry, damp or wet locations with neoprene continuous closed cell gasket to seal out contaminants
finish	316 machined stainless steel faceplate

PERFORMANCE

color temperature	2700K	3000K	3500K	4000K	
lumen output	380 lm				
lifetime	> 70,000 hours / L90 or better				
color consistency	3 SDCM /CRI typical 85 optional: 90+ CRI				
operating temperature	max 143°F (62C)				
warranty	5 year limited warranty (refer to website for details)				

ELECTRICAL

input voltage	Universal 120–277V AC
power supply	Integral Class II, electronic, high power factor > 94% @120V
certifications	ETL/cETL Listed
standards	UL1598/CSA C22.2 No. 250.0; UI 8750/CSA C22.2 No. 250.13/IES LM-79/LM-80
power consumption	6W @ 120V - 277V
dimming	Optional: 0-10V Dimming (1-100%)

Due to continuous development and improvements, specifications are subject to change without notice. FC Lighting reserves the right to change lab test details or specifications without notice. Product use certifies agreement to FC Lighting terms and conditions. FCC Series Cylinder Lights are engineered and produced in our Illinois manufacturing facility.



Ordering Information

ORDERING INFORMATION

FCD601				3L				SS			
SERIES	VOLTAGE	CCT		LUMENS	CRI		FINISH		OPTION		
FCD601	UNV Universal 120-277 Volt AC	27K 2700K	3K 3000K	3L 380 lm (6W)	CRI85 85 CRI (standard)	SS Stainless Steel	SR Slip Resistant (Frosted Lens)				
		35K 3500K	4K 4000K		CRI90 90 CRI* *Consult factory		LD 0-10V Dimming 1% (Standard)				
							ET ELV or Triac Dimming				

Due to continuous development and improvements, specifications are subject to change without notice. FC Lighting reserves the right to change lab test details or specifications without notice. Product use certifies agreement to FC Lighting terms and conditions. FCC Series Cylinder Lights are engineered and produced in our Illinois manufacturing facility.

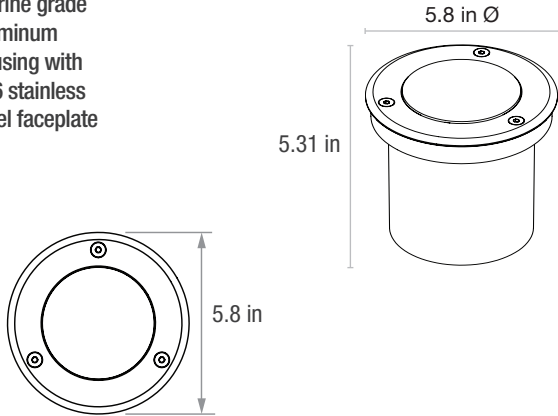


Dimensions

PRODUCT DIMENSIONS - STANDARD PRODUCT | **MOUNTING** - *mounting sleeve included, one per fixture*

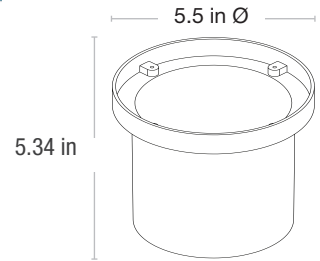
width	5.8" Ø
depth	5.31" D

marine grade aluminum housing with 316 stainless steel faceplate



PVC housing	5.5" Ø
well housing depth	5.34" D

french drain required for proper installation, see installation instructions



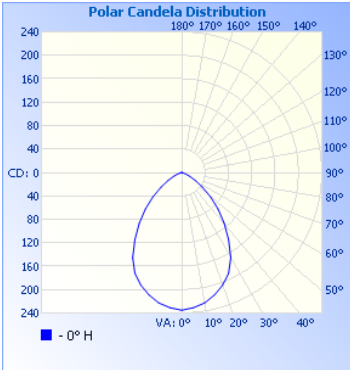
Due to continuous development and improvements, specifications are subject to change without notice. FC Lighting reserves the right to change lab test details or specifications without notice. Product use certifies agreement to FC Lighting terms and conditions. FCC Series Cylinder Lights are engineered and produced in our Illinois manufacturing facility.



Photometry

WIDE FLOOD DISTRIBUTION

beam spread | 70°



Illuminance at a Distance		
	Center Beam fc	Beam Width
1.7ft	81.3 fc	2.8 ft
3.3ft	21.6 fc	5.4 ft
5.0ft	9.40 fc	8.2 ft
6.7ft	5.23 fc	10.9 ft
8.3ft	3.41 fc	13.5 ft
10.0ft	2.35 fc	16.3 ft

illuminations testing laboratory:
Report #1262

Due to continuous development and improvements, specifications are subject to change without notice. FC Lighting reserves the right to change lab test details or specifications without notice. Product use certifies agreement to FC Lighting terms and conditions. FCC Series Cylinder Lights are engineered and produced in our Illinois manufacturing facility.