

FCD601 w/Standard Optics (ALL GROUND) - INSTALLATION INSTRUCTIONS

CAUTION: BEFORE CONNECTING THE FIXTURE TO A POWER SUPPLY, MAKE SURE THE POWER IS SWITCHED OFF.



GENERAL:

1. Before starting the installation, make sure all electricity has been turned off and electrical breaker has been locked out and tagged out.
2. To ensure the success of the installation, be sure to read these instructions and review the diagrams thoroughly before beginning.
3. All electrical connections must be in accordance with local codes, ordinances, or the National Electrical Code.

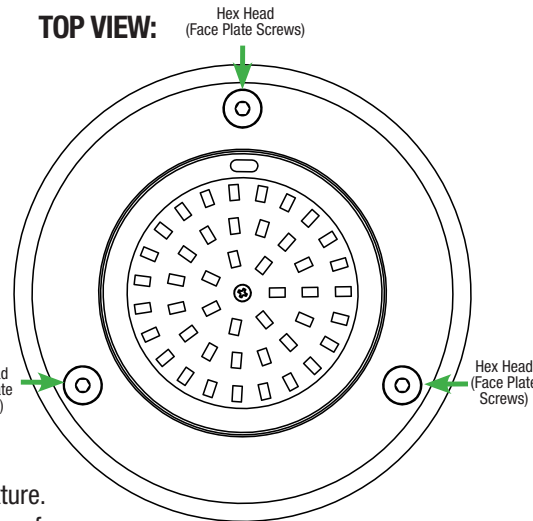
NOTE: The important safeguards and instructions appearing in this manual are not meant to cover all possible conditions and situations that may occur.

INSTALL FOR CONCRETE POUR:

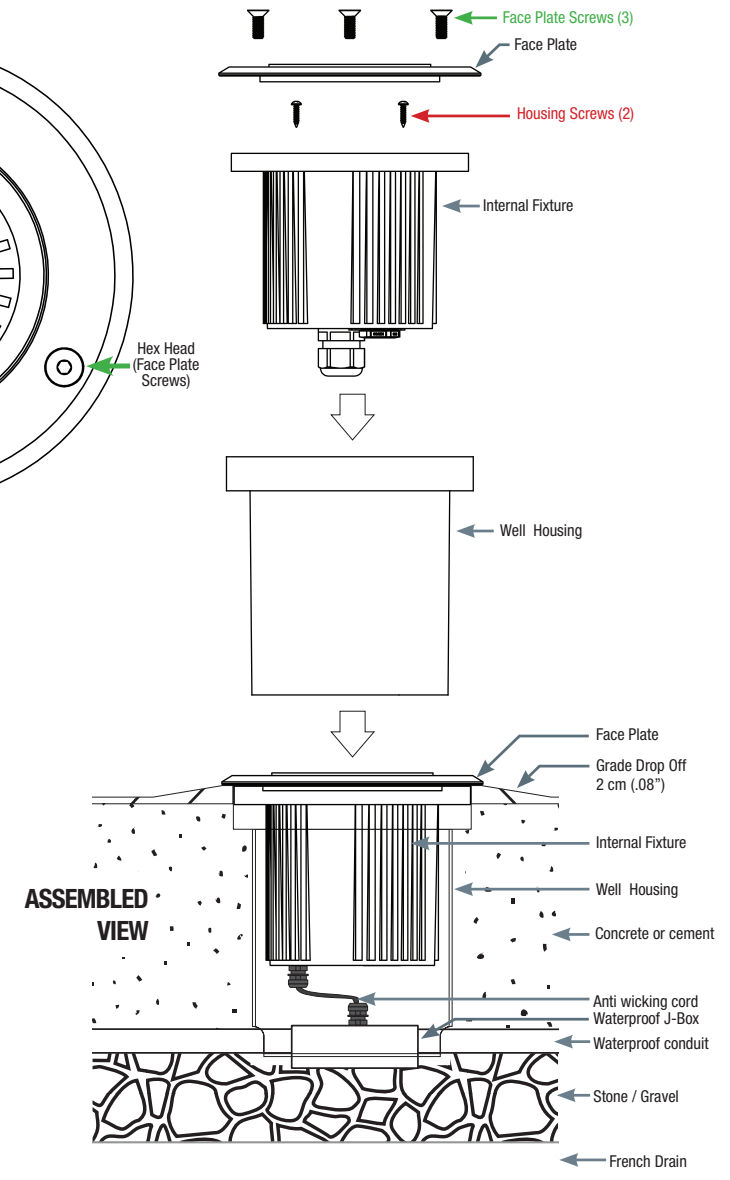
IMPORTANT: Concrete installation is required for drive over applications. Improper installation will void warranty.

- 1) Make sure proper drainage is arranged to avoid accumulation of water around the fixture. French Drain recommended in clay type soil. Add several inches of stone at the bottom of the Well Housing, as illustrated.
- 2) Remove Hex Head Screws from front Face Plate.
- 3) Remove philip Drive Screws from housing. This will allow the plastic Well Housing to be removed from the fixture.
- 4) Insert and set the Well Housing in the ground. Make sure the installation height is within 2 cm above grade. This will promote water run-off on the finished ground surface.
- 5) After concrete is in place, level the Well Housing so it is flush with the pavement surface.
- 6) Connect wiring, by running cord to a waterproof J-Box or in accordance with local codes or NEC standards. Use silicone filled (waterproof) wire nuts to make connections where needed. Fixture is provided with 5' cord.
- 7) Insert the fixture into the Well Housing, adding a bead of silicone where the edge of the fixture contacts the Well. Then secure the Fixture to the Well Housing using stainless steel square drive screws. Tighten screws evenly and avoid overtightening.

NOTE: The FCD601 Series has an Ingress Protection 67 rating (IP67), meaning it is impenetrable to dust and can survive immersion in water for 30 minutes.



DETAILED ILLUSTRATION



FCD601 Series w/Standard Optics (ALL GROUND) - INSTALLATION INSTRUCTIONS

CAUTION: BEFORE CONNECTING THE FIXTURE TO A POWER SUPPLY, MAKE SURE THE POWER IS SWITCHED OFF.

Includes: FCD601



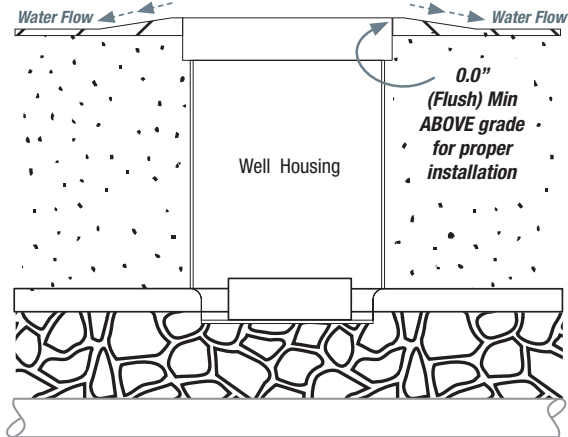
OUTDOOR LIGHTING

t 800.900.1730 f 630.889.8106
3609 Swenson Ave. St. Charles, IL 60174

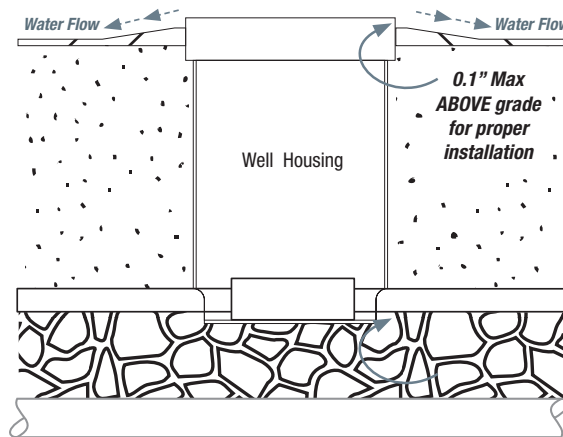
SIDE VIEWS:



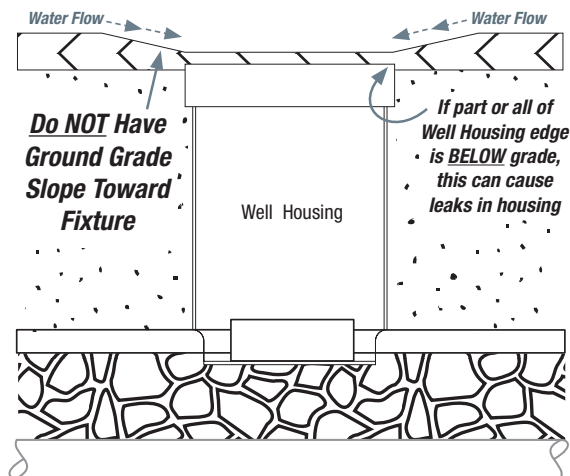
CORRECT: WELL HOUSING FLUSH TOP



CORRECT: WELL HOUSING ABOVE GRADE



NOT CORRECT: WELL HOUSING BELOW GRADE



TOP VIEW:



SURROUNDING GRADE MUST DROP-OFF WITHIN 12" OF FIXTURE

CHECK ALL AROUND WELL HOUSING FOR ABOVE GRADE AND DRAINAGE AWAY FROM FIXTURE

