

# FCD7001



<b>Date:</b>	<b>Approved:</b>
<b>Type:</b>	
<b>Luminaire:</b>	
<b>Project:</b>	

**FCD7001** Linear Inground Uplight is ETL listed for wet locations. Housing is marine grade, corrosion resistant, heavy walled, high pressure aluminum construction with 316 machined brushed stainless steel trim (aluminum well housing included). Lens is impact resistant, clear, tempered glass. Reflector is precision formed semi-specular aluminum for maximum reflectance with LED.

## SPECIFICATIONS

### PHYSICAL

<b>beam spread</b>	Spot, Narrow Flood, Flood, Wide Flood, Asymmetric
<b>dimensions</b>	luminaire: 4.75"W x 3.6"D x 37"L, mounting sleeve: 4.3"W x 9.5"D x 36.4"L
<b>weight</b>	20 lbs
<b>housing</b>	marine grade, corrosion resistant, high pressure aluminum (includes mounting sleeve)
<b>lens</b>	standard: IK10 impact compliant, 3/8" thick clear tempered, optional: SR = Slip Resistance, etched outer surface
<b>mounting</b>	concrete pour installation (mounting sleeve included) - drainage required (improperly installed luminaires will void warranty)
<b>ingress protection</b>	IP67: dry, damp or wet locations with neoprene continuous closed cell gasket to seal out contaminants
<b>load rating</b>	4,000 lbs, static
<b>finish</b>	316 machined stainless steel faceplate

### PERFORMANCE

<b>color temperature</b>	2700K, 3000K, 3500K, 4000K
<b>lumen output (typical)</b>	2400 lm
<b>lumen maintenance</b>	L90 > 70,000 hours
<b>color consistency</b>	2 SDCM, standard: 84CRI, optional: 90CRI
<b>operating temperature</b>	max 143°F (62C)
<b>warranty</b>	5 year limited warranty

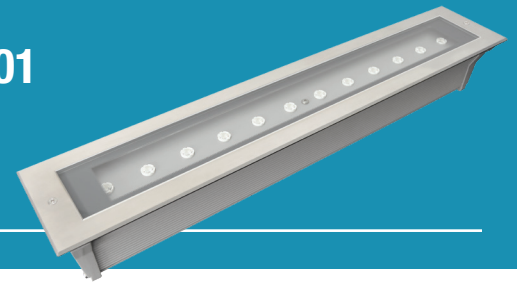
### ELECTRICAL

<b>input voltage</b>	Universal 120 - 277 VAC
<b>power supply</b>	Integral Class II, electronic, high power factor > 94% @ 120V
<b>certifications</b>	ETL / cETL Listed
<b>standards</b>	UL 1598 / CSA C22.2 No. 250.0 - Class I / IES LM-79 / LM-80
<b>power consumption</b>	20W @ 120 - 277 VAC
<b>dimming interface</b>	standard: Tri-Dim (1%, 0-10V, 120 - 277 VAC), (1%, TRIAC & ELV, 120 VAC Only)



# FCD7001

## Ordering Information



### ORDERING INFORMATION

SERIES	VOLTAGE	CCT	CRI	LUMENS (TYPICAL)	FINISH	OPTICS	OPTIONS
<b>FCD7001</b> (3 ft)	<b>UNV</b> UNV 120 - 277 VAC	<b>27K</b> 2700K <b>3K</b> 3000K <b>35K</b> 3500K <b>4K</b> 4000K	<b>CRI84</b> 84 CRI <b>CRI90</b> 90 CRI	<b>24L</b> 2400 lm (20W)	<b>SS</b> Stainless Steel	<b>SP</b> Spot <b>NFL</b> Narrow Flood <b>FL</b> Flood <b>AYM</b> Asymmetrical <b>WFL</b> Wide Flood	<b>TD</b> Tri-Dim (1%, 0-10V, 120 - 277 VAC), (1%, TRIAC & ELV, 120 VAC Only) (Standard) <b>LVR</b> Louver <b>WL</b> Opal Lens ( <i>Asymmetrical N/A</i> ) <b>SR</b> Slip Resistant (Frosted Lens)

### REMOTE DRIVER & BATTERY BACKUP

SERIES	VOLTAGE	CCT	CRI	LUMENS (TYPICAL)	FINISH	OPTICS	OPTIONS
<b>FCD7001R</b> <sup>1</sup> (3 ft)	<b>UNV</b> 120 - 277 VAC	<b>27K</b> 2700K <b>3K</b> 3000K <b>35K</b> 3500K <b>4K</b> 4000K	<b>CRI84</b> 84 CRI <b>CRI90</b> 90 CRI	<b>24L</b> 2400 lm (20W)	<b>SS</b> Stainless Steel	<b>SP</b> Spot <b>NFL</b> Narrow Flood <b>FL</b> Flood <b>AYM</b> Asymmetrical <b>WFL</b> Wide Flood	<b>TD</b> Tri-Dim (1%, 0-10V, 120 - 277 VAC), (1%, TRIAC & ELV, 120 VAC Only) (Standard) <b>LVR</b> Louver <b>WL</b> Opal Lens ( <i>Asymmetrical N/A</i> ) <b>SR</b> Slip Resistant (Frosted Lens) <b>BBUR</b> <sup>1</sup> Battery Backup Remote (Indoor) <b>BBUX</b> <sup>2</sup> Battery Backup Remote (Outdoor) <b>N/A</b> Leave Blank for Remote Driver Only (without Battery Backup)

<sup>1</sup> LED DRIVER REMOTE (INDOOR) IP20, IK08, NEMA 1, -20°C to +50°C, 30' MAX Distance with 12AWG.

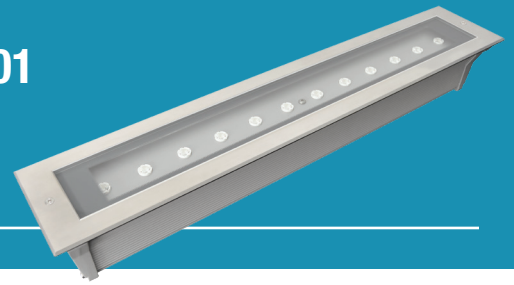
<sup>1</sup> Battery Back-up & LED Driver Remote (INDOOR), IP20, IK08, NEMA 1, 0°C to +48°C, 30' MAX Distance with 12AWG (w/UNV Option Only)

<sup>2</sup> Battery Back-up & LED Driver Remote (OUTDOOR), IP67, IK10, NEMA 4X, -20°C to +55°C, 30' MAX Distance with 12AWG (w/UNV Option Only)



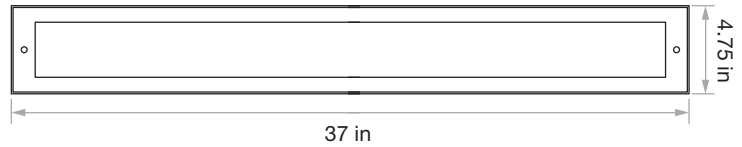
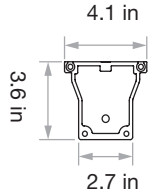
# FCD7001

## Dimensions



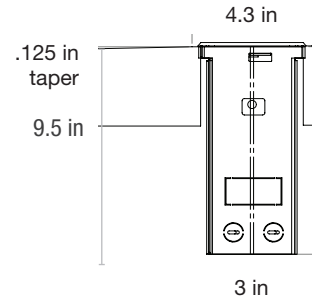
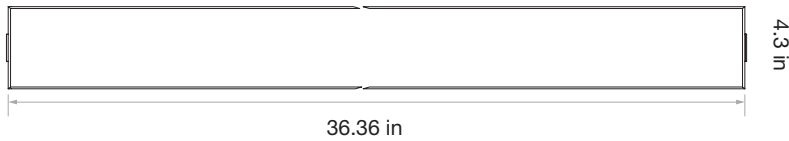
### PRODUCT DIMENSIONS - STANDARD PRODUCT

<b>width</b>	4.75" W
<b>depth</b>	3.6" D
<b>length</b>	37" L



### MOUNTING - mounting sleeve included, one per luminaire

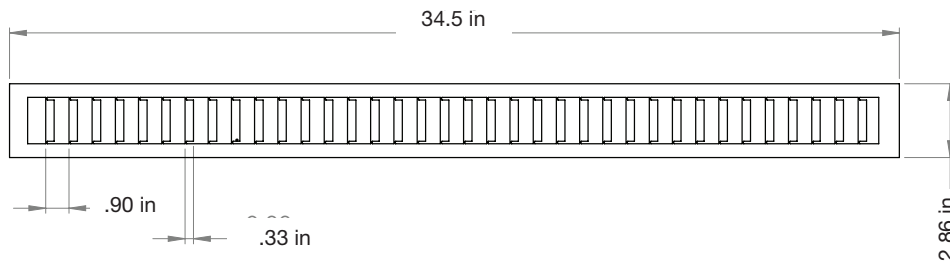
<b>mounting sleeve width</b>	4.3" W
<b>mounting sleeve length</b>	36.36" L
<b>well housing depth</b>	9.5" D



### ACCESSORIES

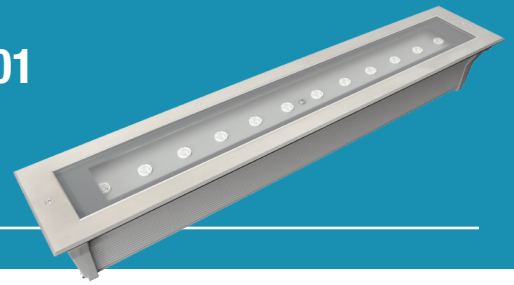
<b>LVR - louver</b>	inside housing
---------------------	----------------

*factory installation required*

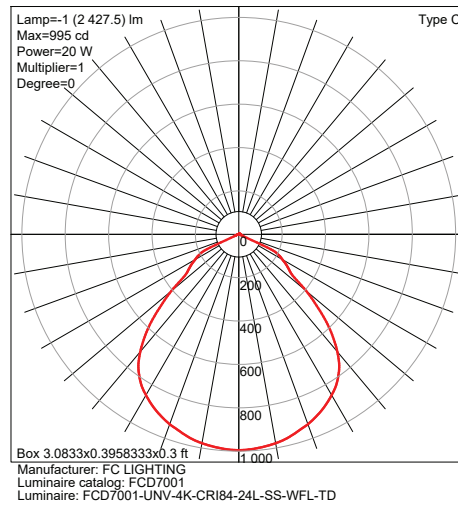
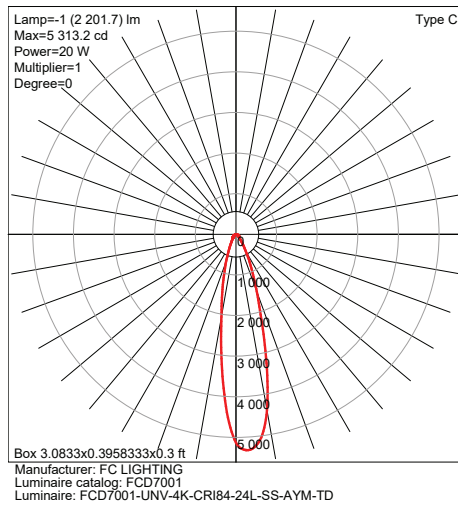
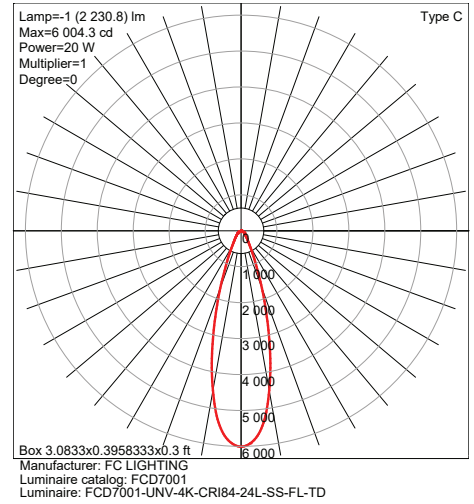
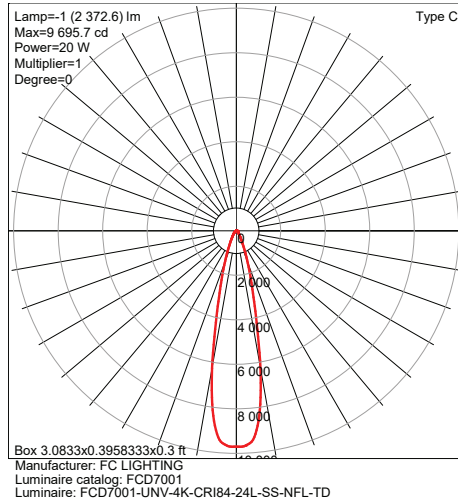
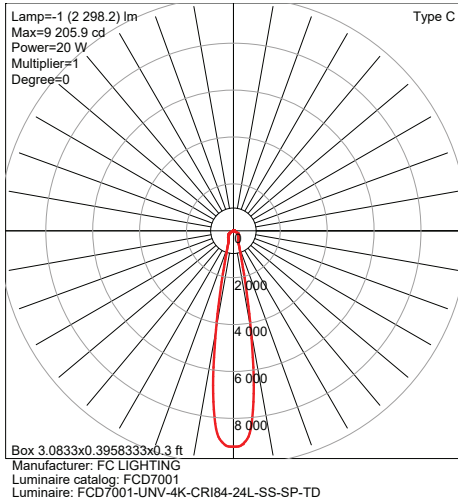


# FCD7001

# Photometry




## OPTICAL DISTRIBUTION



Due to continuous development and improvements, specifications are subject to change without notice.  
Product use certifies agreement to FC Lighting, Inc. terms and conditions.

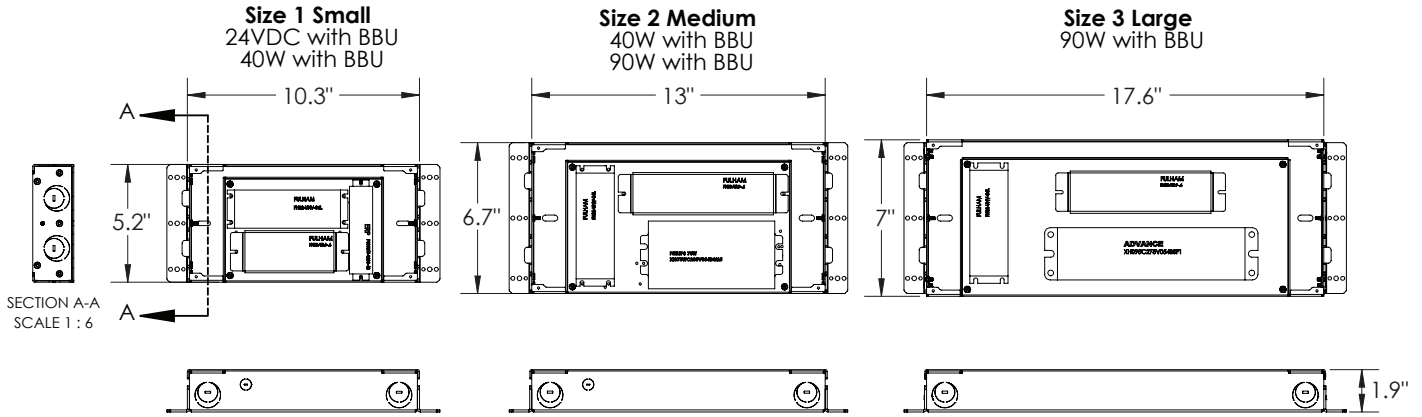
© FC Lighting, Inc. 3609 Swenson Ave • St. Charles, IL • 60174 | fclighting.com | 800.900.1730

 US Commercial Lighting Manufacturer Since 1982

JC-DM-041025

**BATTERY BACK-UPS**

**BBUR - BATTERY BACK-UP & LED DRIVER REMOTE (INDOOR), IP20, IK08, NEMA 1, 0°C to +48°C, 30' MAX Distance with 12AWG (w/UNV Option Only)**



**BBUX - BATTERY BACK-UP & LED DRIVER REMOTE (OUTDOOR), IP67, IK10, NEMA 4X, -20°C to +55°C, 30' MAX Distance with 12AWG (w/UNV Option Only)**

