

FCD803 Series w/Adjustable Optics & Rock Guard (ALL GROUND) - INSTALLATION INSTRUCTIONS

CAUTION: BEFORE CONNECTING THE FIXTURE TO A POWER SUPPLY, MAKE SURE THE POWER IS SWITCHED OFF.



800.900.1730
3609 Swenson Ave.
St. Charles, IL 60174

Includes: FCD803R, FCD803S

GENERAL:

1. Before starting the installation, make sure all electricity has been turned off and electrical breaker has been locked out and tagged out.
2. To ensure the success of the installation, be sure to read these instructions and review the diagrams thoroughly before beginning.
3. All electrical connections must be in accordance with local codes, ordinances, or the National Electrical Code.

NOTE: The important safeguards and instructions appearing in this manual are not meant to cover all possible conditions and situations that may occur.

INSTALL FOR CONCRETE POUR:

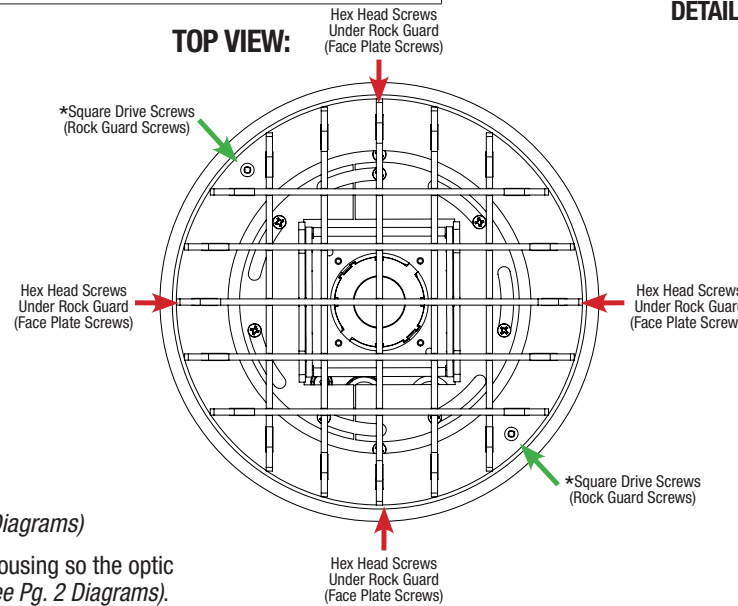
IMPORTANT: Concrete installation is required for drive over applications.

Improper installation will void warranty.

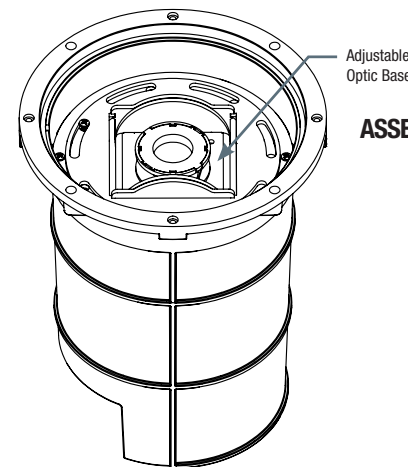
- 1) Make sure proper drainage is arranged to avoid accumulation of water around the fixture. French Drain recommended in clay type soil. Add several inches of stone at the bottom of the Well Housing, as illustrated. (Reference Pg. 3 Diagrams)
- 2) With the Adjustable Optic option, you will need to orientate the fixture and housing so the optic will point in the desired direction. The optic adjusts left and right up to 30° (See Pg. 2 Diagrams).
- 3) Remove Square Drive Screws (2 shown above, 4 used prior to Aug. 2021) from Rock Guard. **(See Green arrows above)* This will allow the Well Housing to be removed from the Fixture. Set Fixture and Rock Guard aside.
- 4) Insert and set the Well Housing in the ground. Make sure the installation height is within 2 mm above grade. This will promote water run-off on the finished ground surface.
- 5) After concrete is in place, level the Well Housing so it is flush with the pavement surface.
- 6) Now, take the Fixture assembly and remove the Face Plate by removing the (4) Hex Head screws. *(See Red arrows above)* Once removed, set the Face Plate aside to access the inside of the fixture. The Adjustable Optic (ADJ) is adjusted by pushing the left and/or right edges of the Optic Platform Base which pivots on the other sides. Additional adjustments can be made by loosening and tightening the screws around the optic (See Pg. 2) Once satisfied, clear all seals, lens frame **and** housing opening of any debris and re-fasten the (4) Hex Head screws in the appropriate coordinating holes.
- 7) Connect wiring, by running cord to a waterproof J-Box or in accordance with local codes or NEC standards. Use silicone filled (waterproof) wire nuts to make connections where needed. Fixture is provided with 5' cord.
- 8) Insert the fixture into the Well Housing, adding a bead of silicone where the edge of the fixture contacts the Well. Then place Rock Guard on the Face Plate, matching up holes, and re-fasten the *Square Drive Screws to secure the Rock Guard and Fixture to the Well Housing. Tighten screws evenly and avoid overtightening.



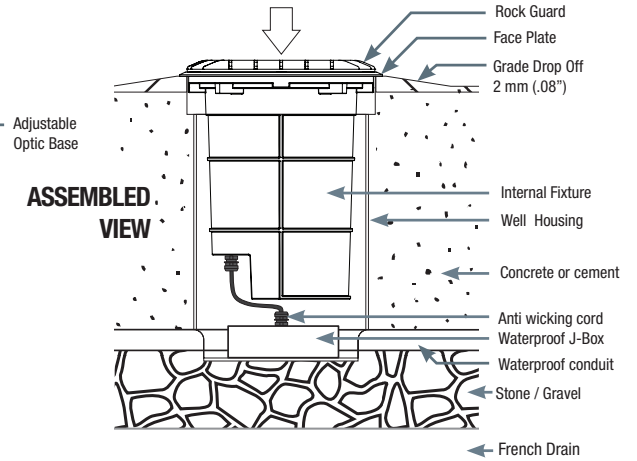
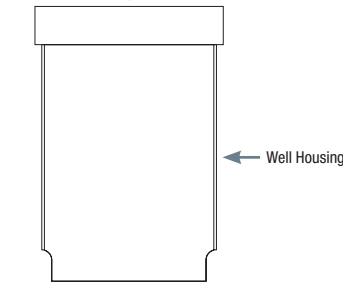
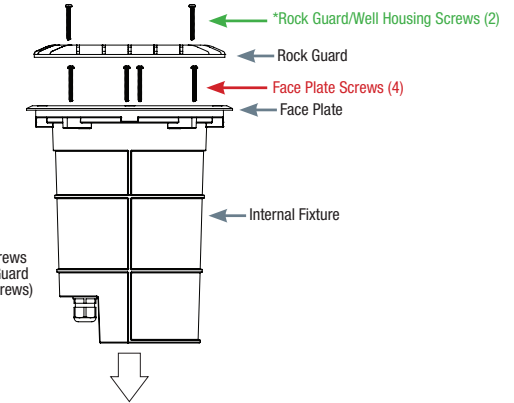
TOP VIEW:



TOP VIEW: FIXTURE WITHOUT HOUSING OR FACE PLATE



DETAILED ILLUSTRATION



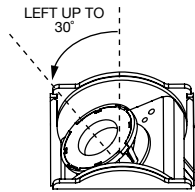
FCD803 Series w/Adjustable Optics & Rock Guard (ALL GROUND) - INSTALLATION INSTRUCTIONS

CAUTION: BEFORE CONNECTING THE FIXTURE TO A POWER SUPPLY, MAKE SURE THE POWER IS SWITCHED OFF.

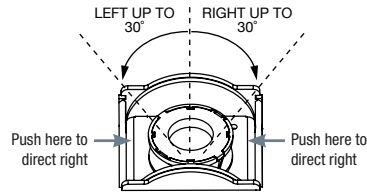
Includes: FCD803R, FCD803S



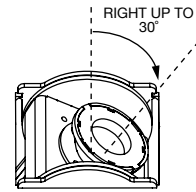
ADJUSTABLE OPTIC VIEW (ADJ):



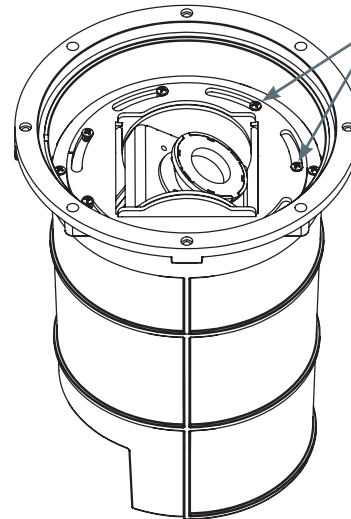
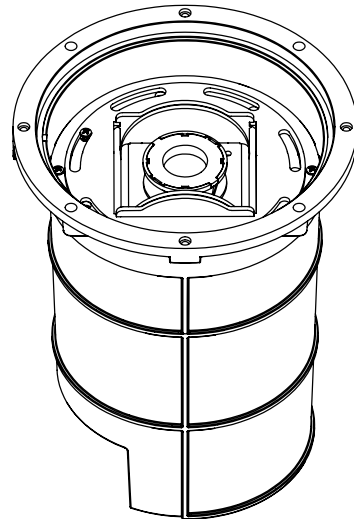
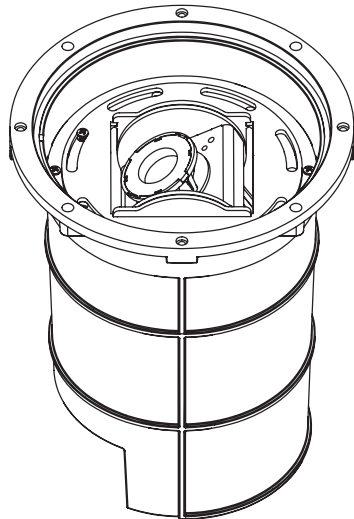
(OPTIC DIRECTED LEFT
UP TO 30°)



(OPTIC DIRECTED CENTERED
UP TO 30°)



(OPTIC DIRECTED RIGHT
UP TO 30°)



These screws can be loosened and tightened for additional adjustments

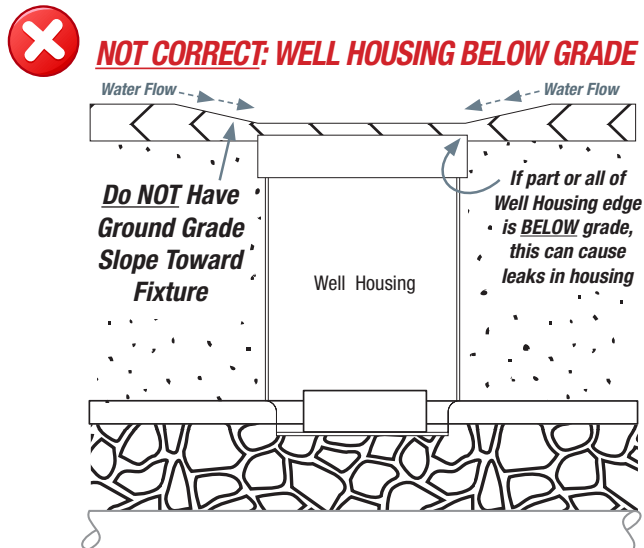
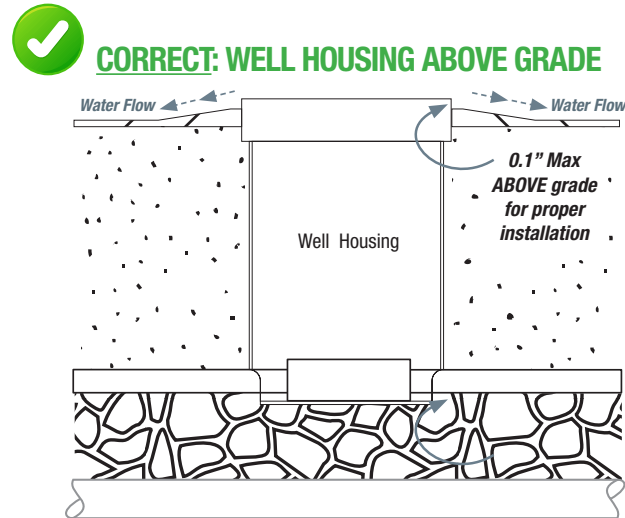
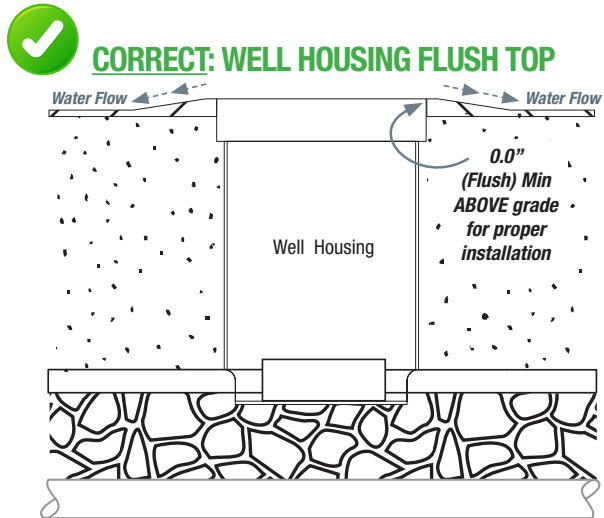
FCD803 Series w/Adjustable Optics & Rock Guard (ALL GROUND) - INSTALLATION INSTRUCTIONS

CAUTION: BEFORE CONNECTING THE FIXTURE TO A POWER SUPPLY, MAKE SURE THE POWER IS SWITCHED OFF.

Includes: FCD803R, FCD803S



SIDE VIEWS:



TOP VIEW:

