

**FCD803R**



**Date:** \_\_\_\_\_

**Type:** \_\_\_\_\_

**Luminaire:** \_\_\_\_\_

**Project:** \_\_\_\_\_

**Approved:**

**FCD803R** 8-inch round inground recessed luminaire with stainless steel faceplate is IP67 rated for exterior use where inground applications are required.

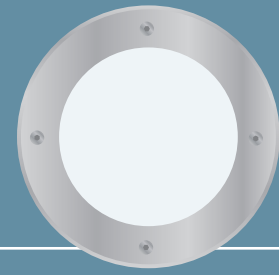


**SPECIFICATIONS**

| PHYSICAL                  |   |
|---------------------------|---|
| <b>beam spread</b>        | LED optics: Spot-10°, Narrow Flood-25°, Flood-50°, Wide Flood-70° ( <i>image-free white lens</i> )<br>optional: +/- 30° adjustable LED base |
| <b>dimensions</b>         | luminaire: 8.8" Ø x 11.0" D, PVC housing: 8.4"Ø x 11.0" D   |
| <b>weight</b>             | 9.25 lbs  |
| <b>housing</b>            | marine grade, corrosion resistant, high pressure aluminum (includes mounting sleeve)  |
| <b>lens</b>               | 3/8" thick clear tempered, standard. optional: SR = Slip Resistance, etched lens on outer surface   |
| <b>mounting</b>           | concrete pour installation (mounting sleeve included) - drainage required (Improperly installed luminaires will void warranty)              |
| <b>ingress protection</b> | IP67 rated: dry, damp or wet locations with neoprene continuous closed cell gasket to seal out contaminants                                 |
| <b>finish</b>             | 316 machined stainless steel faceplate  |

| PERFORMANCE                  |   |
|------------------------------|---|
| <b>color temperature</b>     | 2700K, 3000K, 3500K, 4000K                |
| <b>lumen output</b>          | 1300 lm, 2000 lm, 3000 lm                 |
| <b>lumen maintenance</b>     | L90 > 70,000 hours                        |
| <b>color consistency</b>     | 2 SDCM / standard: 84CRI, optional: 90CRI |
| <b>operating temperature</b> | max 143°F (62C)                           |
| <b>warranty</b>              | 5 year limited warranty                   |

| ELECTRICAL               |  |
|--------------------------|--|
| <b>input voltage</b>     | Universal 120 - 277 VAC  |
| <b>power supply</b>      | Integral Class II, electronic, high power factor > 94% @120V             |
| <b>certifications</b>    | ETL/cETL Listed, CEC Title 24 JA8 compliant (only 90CRI complies)        |
| <b>standards</b>         | UL1598/CSA C22.2 No. 250.0; UI 8750/CSA C22.2 No. 250.13/IES LM-79/LM-80 |
| <b>power consumption</b> | 33W @ 120V - 277V (maximum)  |
| <b>dimming interface</b> | standard: 0-10V (10%), optional: ELV (120V only)                         |



## Ordering Information

### ORDERING INFORMATION

| FCD803R        | UNV                      |                  |                     |                          | SS                        |                               |  |
|----------------|--------------------------|------------------|---------------------|--------------------------|---------------------------|-------------------------------|--|
| SERIES         | VOLTAGE                  | CCT              | CRI                 | LUMENS                   | FINISH                    | LED OPTICS                    | OPTIONS  |
| <b>FCD803R</b> | <b>UNV</b> 120 - 277 VAC | <b>27K</b> 2700K | <b>CR184</b> 84 CRI | <b>13L</b> 1300 lm (26W) | <b>SS</b> Stainless Steel | <b>SP</b> Spot (10°)          | <b>LD</b> 0-10V Dimming (10%)  |
|                |                          | <b>3K</b> 3000K  | <b>CR190</b> 90 CRI | <b>20L</b> 2000 lm (30W) |                           | <b>NFL</b> Narrow Flood (25°) | <b>ELV</b> ELV Dimming (120V only)                                       |
|                |                          | <b>35K</b> 3500K |                     | <b>30L</b> 3000 lm (33W) |                           | <b>FL</b> Flood (50°)         | <b>SR</b> Slip Resistant (Frosted Lens)                                  |
|                |                          | <b>4K</b> 4000K  |                     |                          |                           | <b>WFL</b> Wide Flood (70°)   | <b>LVR</b> Louver (internal)   |
|                |                          |                  |                     |                          |                           |                               | <b>RG</b> Rock Guard (not drive over rated)                              |
|                |                          |                  |                     |                          |                           |                               | <b>ADJ</b> Adjustable LED Base (Not w/LVR or RG)<br>(up to +/- 30° beam) |

### REMOTE DRIVER & BATTERY BACKUP

| FCD803RR                     | UNV                      |                  |                     |                          | SS                        |                               |   |
|------------------------------|--------------------------|------------------|---------------------|--------------------------|---------------------------|-------------------------------|---|
| SERIES                       | VOLTAGE                  | CCT              | CRI                 | LUMENS                   | FINISH                    | LED OPTICS                    | OPTIONS   |
| <b>FCD803RR</b> <sup>†</sup> | <b>UNV</b> 120 - 277 VAC | <b>27K</b> 2700K | <b>CR184</b> 84 CRI | <b>13L</b> 1300 lm (26W) | <b>SS</b> Stainless Steel | <b>SP</b> Spot (10°)          | <b>LD</b> 0-10V Dimming (10%)   |
|                              |                          | <b>3K</b> 3000K  | <b>CR190</b> 90 CRI | <b>20L</b> 2000 lm (30W) |                           | <b>NFL</b> Narrow Flood (25°) | <b>ELV</b> ELV Dimming (120V only)  |
|                              |                          | <b>35K</b> 3500K |                     | <b>30L</b> 3000 lm (33W) |                           | <b>FL</b> Flood (50°)         | <b>SR</b> Slip Resistant (Frosted Lens)                                   |
|                              |                          | <b>4K</b> 4000K  |                     |                          |                           | <b>WFL</b> Wide Flood (70°)   | <b>LVR</b> Louver (internal)  |
|                              |                          |                  |                     |                          |                           |                               | <b>RG</b> Rock Guard (not drive over rated)                               |
|                              |                          |                  |                     |                          |                           |                               | <b>ADJ</b> Adjustable LED Base (Not w/LVR or RG)<br>(up to +/- 30° beam)  |
|                              |                          |                  |                     |                          |                           |                               | <b>BBUR</b> <sup>1</sup> Battery Backup Remote (Indoor)                   |
|                              |                          |                  |                     |                          |                           |                               | <b>BBUX</b> <sup>2</sup> Battery Backup Remote (Outdoor)                  |
|                              |                          |                  |                     |                          |                           |                               | <b>N/A</b> Leave Blank for Remote Driver Only<br>(without Battery Backup) |

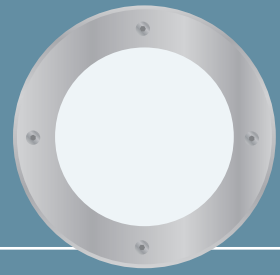
<sup>†</sup> LED DRIVER REMOTE (INDOOR) IP20, IK08, NEMA 1, -20°C to +50°C, 30' MAX Distance with 12AWG.

\* Consult factory for outdoor remote driver only.

<sup>1</sup> Battery Back-up & LED Driver Remote (INDOOR), IP20, IK08, NEMA 1, 0°C to +48°C, 30' MAX Distance with 12AWG (w/UNV Option Only)

<sup>2</sup> Battery Back-up & LED Driver Remote (OUTDOOR), IP67, IK10, NEMA 4X, -20°C to +55°C, 30' MAX Distance with 12AWG (w/UNV Option Only)



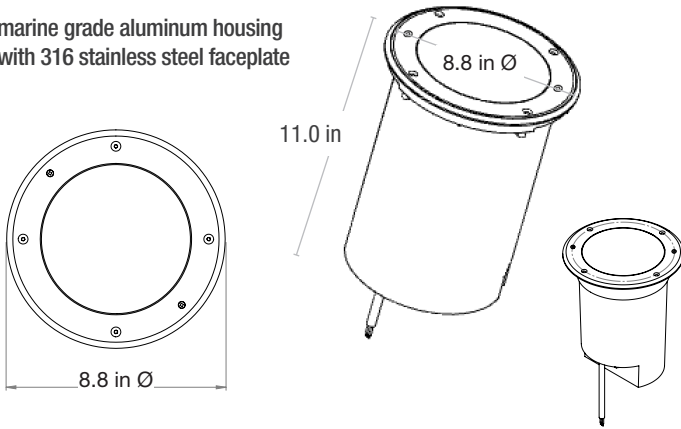


# Dimensions

## PRODUCT DIMENSIONS - STANDARD PRODUCT

|              |  |
|--------------|--|
| <b>width</b> | outside diameter 8.8" Ø, inner diameter 7.8" Ø |
| <b>depth</b> | 11.0" D  |

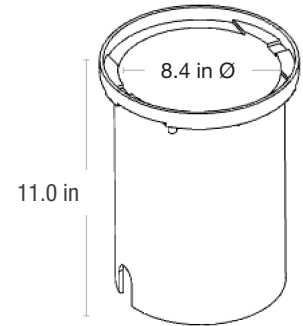
marine grade aluminum housing with 316 stainless steel faceplate



## MOUNTING - mounting sleeve included, one per luminaire

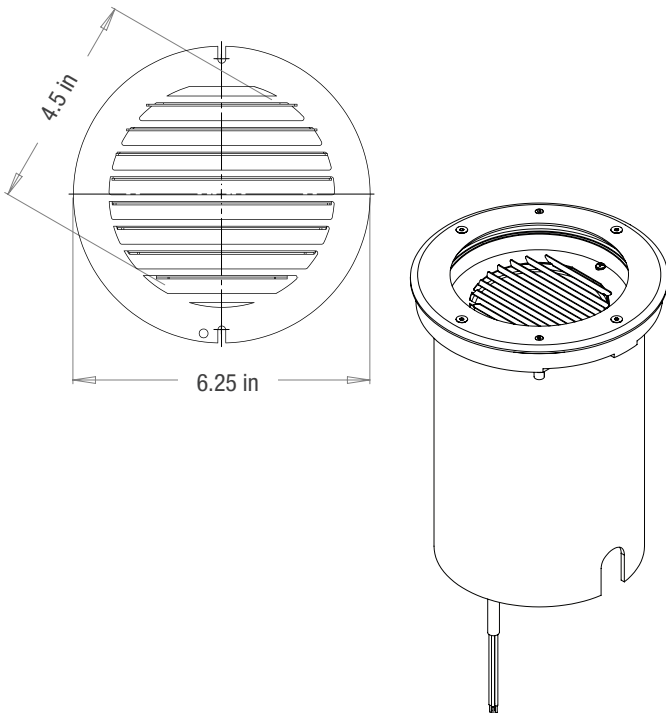
|                           |         |
|---------------------------|---------|
| <b>PVC housing</b>        | 8.4" Ø  |
| <b>well housing depth</b> | 11.0" D |

french drain required for proper installation, see installation instructions

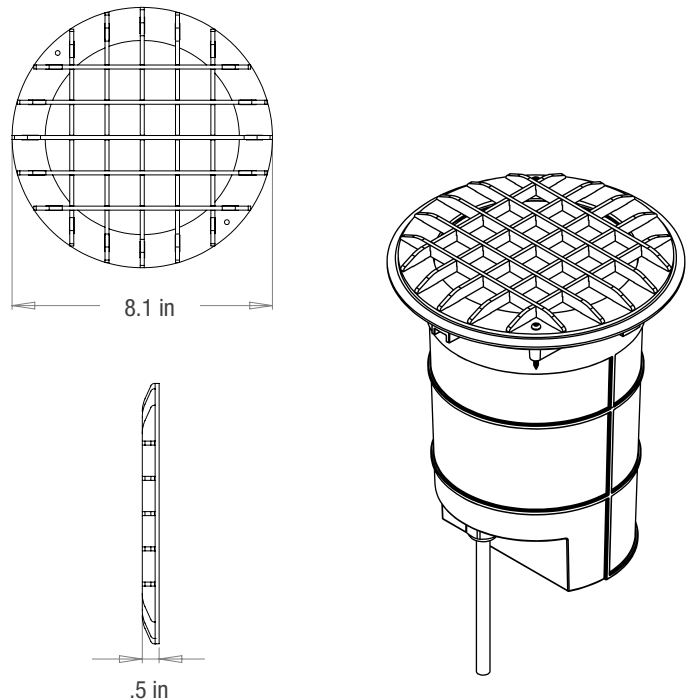


## ACCESSORIES

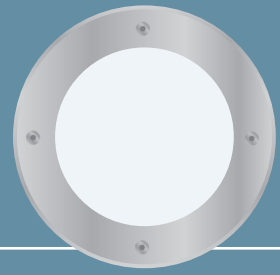
|                                      |                |
|--------------------------------------|----------------|
| <b>LVR - louver</b>                  | inside housing |
| <i>factory installation required</i> |                |



|  |        |
|--|--------|
| <b>RG - Rock Guard</b>                 | 8.1" Ø |
| <b>add to luminaire (above ground)</b> | .5" D  |



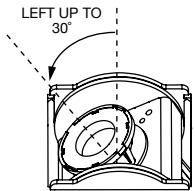
Due to continuous development and improvements, specifications are subject to change without notice. Product use certifies agreement to FC Lighting, Inc. terms and conditions.



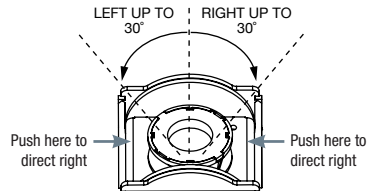
# Accessories

FCD803 ADJUSTABLE LED BASE ADJUSTS TO +/-30° BEAM ANGLE

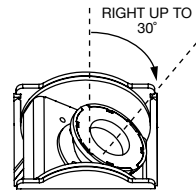
## ADJUSTABLE OPTIC VIEW (ADJ):



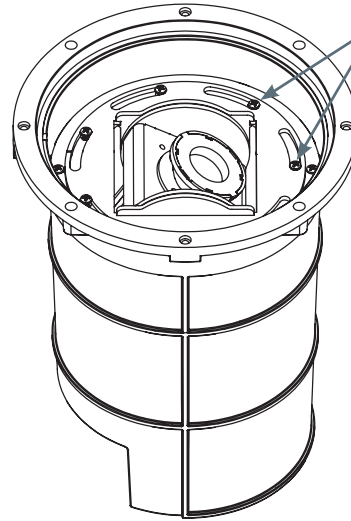
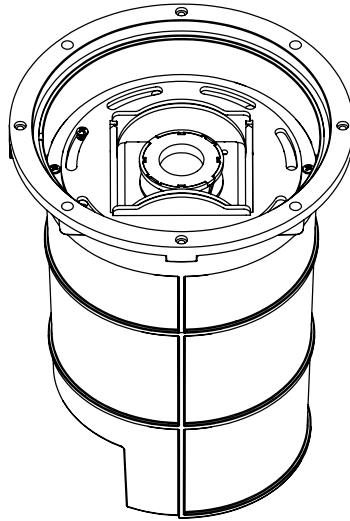
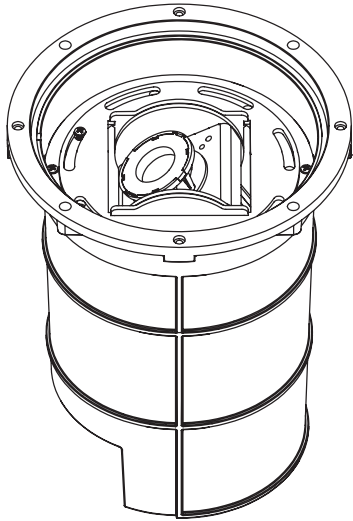
(OPTIC DIRECTED LEFT UP TO 30°)



(OPTIC DIRECTED CENTERED UP TO 30°)



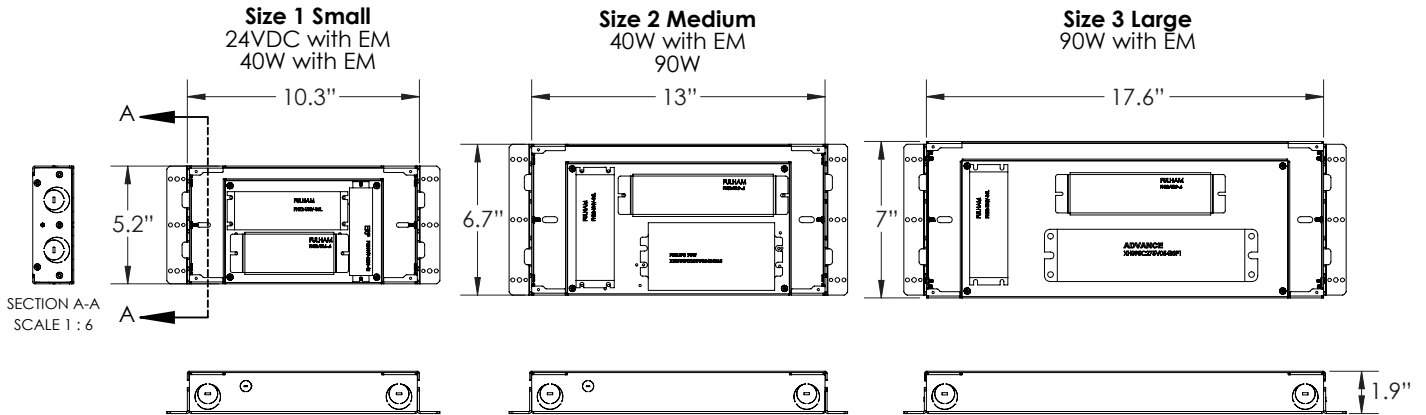
(OPTIC DIRECTED RIGHT UP TO 30°)



These screws can be loosened and tightened for additional adjustments

**BATTERY BACK-UPS**

**BBUR - BATTERY BACK-UP & LED DRIVER REMOTE (INDOOR), IP20, IK08, NEMA 1, 0°C to +48°C, 30' MAX Distance with 12AWG (w/UNV Option Only)**



**BBUX - BATTERY BACK-UP & LED DRIVER REMOTE (OUTDOOR), IP67, IK10, NEMA 4X, -20°C to +55°C, 30' MAX Distance with 12AWG (w/UNV Option Only)**

