

Date: _____

Type: _____

Luminaire: _____

Project: _____

Approved:

FCD803S



FCD803S 8-inch square inground recessed luminaire with stainless steel faceplate is IP67 rated for exterior use where inground applications are required.

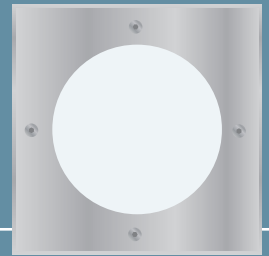


SPECIFICATIONS

PHYSICAL	
beam spread	LED optics: Spot-10°, Narrow Flood-25°, Flood-50°, Wide Flood-70° (<i>image-free white lens</i>) optional: +/- 30° adjustable LED base
lengths/dimensions [LxDxH]	luminaire: 8.8" Square x 11.0" D, PVC housing: 8.4"Ø x 11.0" D
weight	9.25 lbs
housing	marine grade, corrosion resistant, high pressure aluminum (includes mounting sleeve)
lens	3/8" thick clear tempered, standard. Optional: SR = Slip Resistance, etched lens on outer surface
mounting	concrete pour installation (mounting sleeve included) - drainage required (Improperly installed luminaires will void warranty)
ingress protection	neoprene continuous closed cell gasket to seal out contaminants, dry, damp or wet locations IP67 rated
finish	316 machined stainless steel faceplate

PERFORMANCE	
color temperature	2700K, 3000K, 3500K, 4000K
lumen output	1300 lm, 2000 lm, 3000 lm
lumen maintenance	L90 > 70,000 hours
color consistency	2 SDCM / standard: 84CRI, optional: 90CRI
operating temperature	max 143°F (62C)
warranty	5 year limited warranty

ELECTRICAL	
input voltage	Universal 120 - 277 VAC
power supply	Integral Class II, electronic, high power factor > 94% @120V
certifications	ETL/cETL Listed, CEC Title 24 JA8 compliant (only 90CRI complies)
standards	UL1598/CSA C22.2 No. 250.0; UI 8750/CSA C22.2 No. 250.13/IES LM-79/LM-80
power consumption	33W @ 120V - 277V (maximum)
dimming interface	standard: 0-10V (10%), optional: ELV (120V only)



Ordering Information

ORDERING INFORMATION

FCD803S	UNV				SS		
SERIES	VOLTAGE	CCT	CRI	LUMENS	FINISH	LED OPTICS	OPTIONS
FCD803S	UNV 120 - 277 VAC	27K 2700K	CRI84 84 CRI	13L 1300 lm (26W)	SS Stainless Steel	SP Spot (10°)	LD 0-10V Dimming (10%)
		3K 3000K	CRI90 90 CRI	20L 2000 lm (30W)		NFL Narrow Flood (25°)	ELV ELV Dimming (120V only)
		35K 3500K		30L 3000 lm (33W)		FL Flood (50°)	SR Slip Resistant (Frosted Lens)
		4K 4000K				WFL Wide Flood (70°)	LVR Louver (internal)
							RG Rock Guard (not drive over rated)
							ADJ Adjustable LED Base (Not w/LVR or RG) (up to +/- 30° beam)

REMOTE DRIVER & BATTERY BACKUP

FCD803SR	UNV				SS		
SERIES	VOLTAGE	CCT	CRI	LUMENS	FINISH	LED OPTICS	OPTIONS
FCD803SR[†]	UNV 120 - 277 VAC	27K 2700K	CRI84 84 CRI	13L 1300 lm (26W)	SS Stainless Steel	SP Spot (10°)	LD 0-10V Dimming (10%)
		3K 3000K	CRI90 90 CRI	20L 2000 lm (30W)		NFL Narrow Flood (25°)	ELV ELV Dimming (120V only)
		35K 3500K		30L 3000 lm (33W)		FL Flood (50°)	SR Slip Resistant (Frosted Lens)
		4K 4000K				WFL Wide Flood (70°)	LVR Louver (internal)
							RG Rock Guard (not drive over rated)
							ADJ Adjustable LED Base (Not w/LVR or RG) (up to +/- 30° beam)
							BBUR¹ Battery Backup Remote (Indoor)
							BBUX² Battery Backup Remote (Outdoor)
							N/A Leave Blank for Remote Driver Only (without Battery Backup)

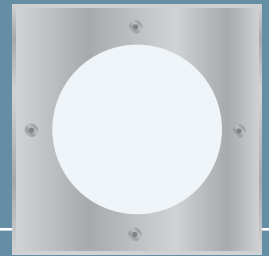
[†] LED DRIVER REMOTE (INDOOR) IP20, IK08, NEMA 1, -20°C to +50°C, 30' MAX Distance with 12AWG.

*Consult factory for outdoor remote driver only.

¹ Battery Back-up & LED Driver Remote (INDOOR), IP20, IK08, NEMA 1, 0°C to +48°C, 30' MAX Distance with 12AWG (w/UNV Option Only)

² Battery Back-up & LED Driver Remote (OUTDOOR), IP67, IK10, NEMA 4X, -20°C to +55°C, 30' MAX Distance with 12AWG (w/UNV Option Only)



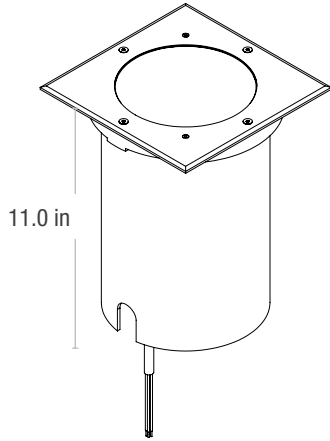
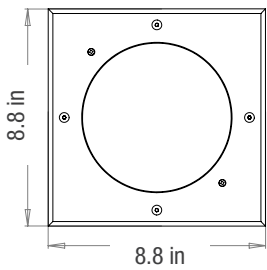


Dimensions

PRODUCT DIMENSIONS - STANDARD PRODUCT

width	8.8" Sq
depth	11.0" D

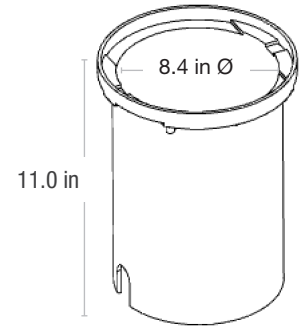
marine grade aluminum housing with 316 stainless steel faceplate



MOUNTING - mounting sleeve included, one per luminaire

PVC housing	8.4" Ø
well housing depth	11.0" D

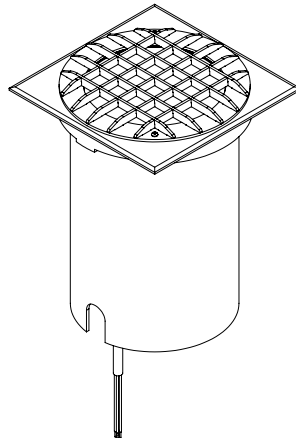
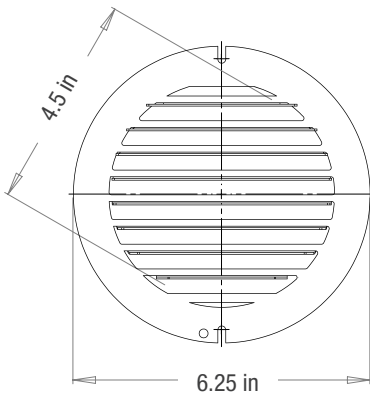
french drain required for proper installation, see installation instructions



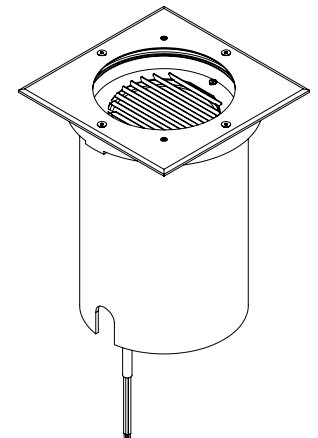
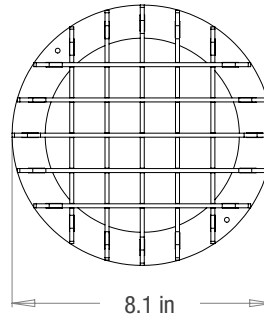
Static Weight Allowed: 2000 KGS - (4,400 lbs): Max Velocity Drive Over Speed 25 km/h - (15.5 mph)

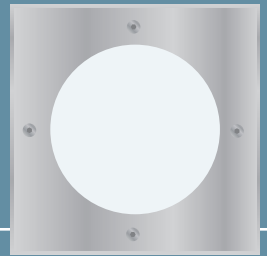
ACCESSORIES

LVR - louver	inside housing
<i>factory installation required</i>	



RG - Rock Guard	8.1" Ø
add to luminaire (above ground)	.5" D

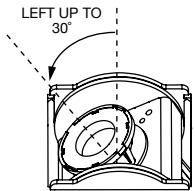




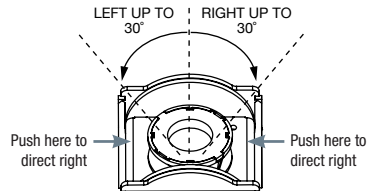
Accessories

FCD910 ADJUSTABLE LED BASE ADJUSTS TO +/-30° BEAM ANGLE

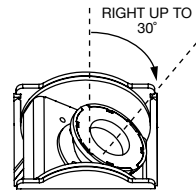
ADJUSTABLE OPTIC VIEW (ADJ):



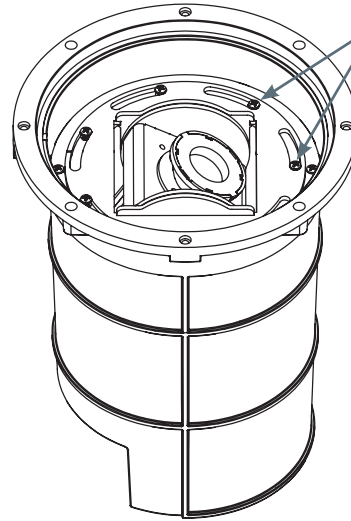
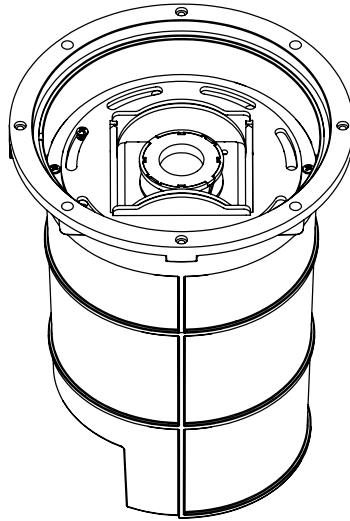
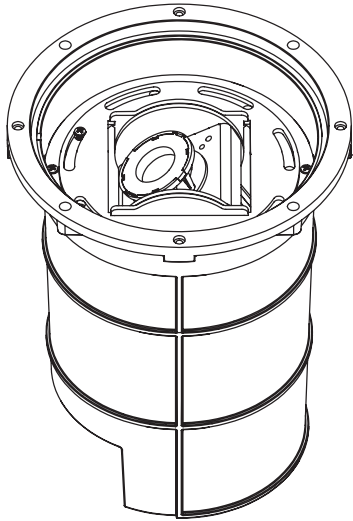
(OPTIC DIRECTED LEFT
UP TO 30°)



(OPTIC DIRECTED CENTERED
UP TO 30°)



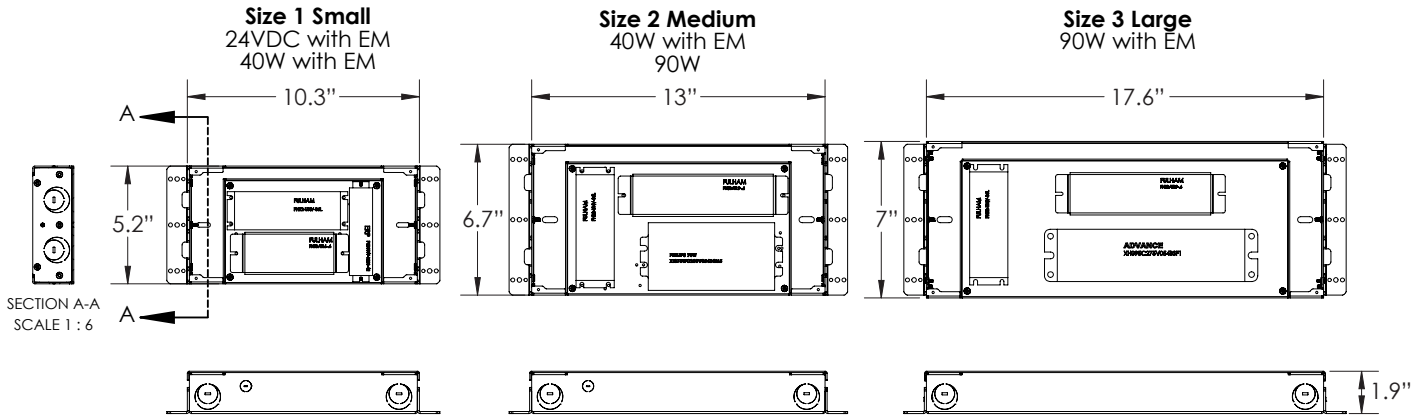
(OPTIC DIRECTED RIGHT
UP TO 30°)



These screws can be loosened and tightened for additional adjustments

BATTERY BACK-UPS

BBUR - BATTERY BACK-UP & LED DRIVER REMOTE (INDOOR), IP20, IK08, NEMA 1, 0°C to +48°C, 30' MAX Distance with 12AWG (w/UNV Option Only)



BBUX - BATTERY BACK-UP & LED DRIVER REMOTE (OUTDOOR), IP67, IK10, NEMA 4X, -20°C to +55°C, 30' MAX Distance with 12AWG (w/UNV Option Only)

