

FCD803 Series w/Adjustable Optics (ADJ) (ALL GROUND) - INSTALLATION INSTRUCTIONS

CAUTION: BEFORE CONNECTING THE FIXTURE TO A POWER SUPPLY, MAKE SURE THE POWER IS SWITCHED OFF.



800.900.1730
3609 Swenson Ave.
St. Charles, IL 60174

Includes: FCD803R, FCD803S with Adjustable LED Base (ADJ) Option

GENERAL:

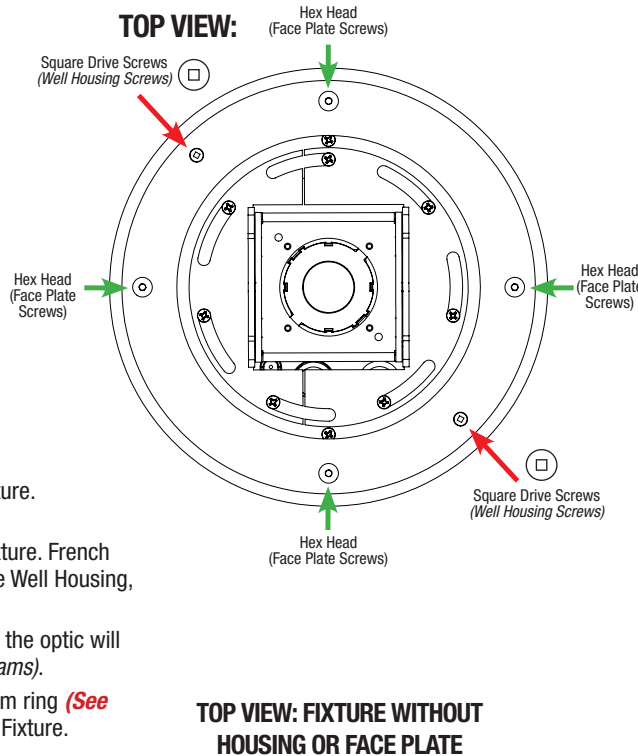
1. Before starting the installation, make sure all electricity has been turned off and electrical breaker has been locked out and tagged out.
2. To ensure the success of the installation, be sure to read these instructions and review the diagrams thoroughly before beginning.
3. All electrical connections must be in accordance with local codes, ordinances, or the National Electrical Code.

NOTE: The important safeguards and instructions appearing in this manual are not meant to cover all possible conditions and situations that may occur.

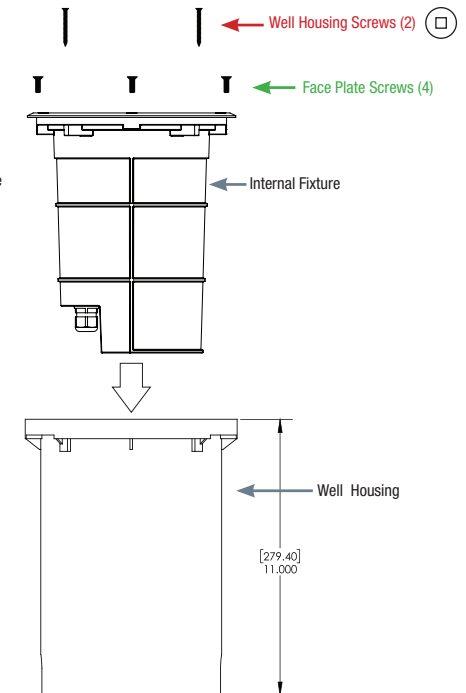
INSTALL FOR CONCRETE POUR:

IMPORTANT: Concrete installation is required for drive over applications. Improper installation will void warranty.

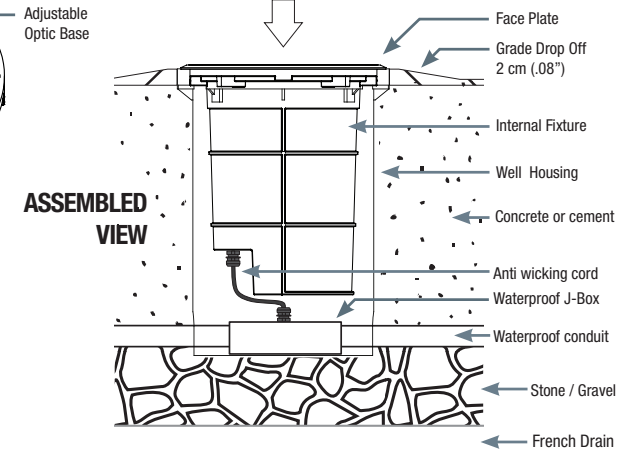
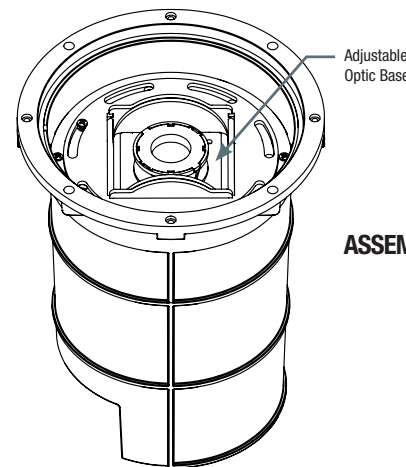
- 1) Dig the area around the fixture location 20" below grade and a 12" radius around fixture.
IMPORTANT: Line the area with a filter fabric.
- 2) Make sure proper drainage is arranged to avoid accumulation of water around the fixture. French Drain recommended in clay type soil. Add several inches of stone at the bottom of the Well Housing, as illustrated. (Reference Pg. 4 Diagrams)
- 3) With the Adjustable Optic option, you will need to orientate the fixture and housing so the optic will point in the desired direction. The optic adjusts left and right up to 30° (See Pg. 3 Diagrams).
- 4) Remove square drive screws (2 shown above, 4 used prior to Aug. 2021) from front trim ring (See **RED arrows above**). This will allow the plastic Well Housing to be removed from the Fixture. Set Fixture aside.
- 5) Insert and set the Well Housing in the ground. Make sure the installation height is within 2 cm above grade. This will promote water run-off on the finished ground surface.
- 6) After concrete is in place, level the Well Housing so it is flush with the pavement surface.
- 7) Remove the Faceplate by removing the (4) Hex Head screws (See **Green arrows above**). Once removed, set the Face Plate aside to access the inside of the fixture. The Adjustable Optic (ADJ) is adjusted by pushing the left and/or right edges of the Optic Platform Base which pivots on the other sides. Additional adjustments can be made by loosening and tightening the screws around the optic (See Pg. 3). Once satisfied, clear all seals, lens frame and housing opening of any debris and re-fasten the (4) Hex Head screws in the appropriate coordinating holes. Follow the TORQUE PATTERN INSTRUCTIONS located on Pg. 2.
- 8) Connect wiring, by running cord to a waterproof J-Box or in accordance with local codes or NEC standards. Use silicone filled (waterproof) wire nuts to make connections where needed. Fixture is provided with 5' cord.
- 9) Insert the fixture into the Well Housing, adding a bead of silicone where the edge of the fixture contacts the Well. Then secure the Fixture to the Well Housing using the Square Drive Screws. Tighten screws evenly and avoid overtightening.



DETAILED ILLUSTRATION



TOP VIEW: FIXTURE WITHOUT HOUSING OR FACE PLATE



FCD803 Series w/Adjustable Optics (ADJ) (ALL GROUND) - INSTALLATION INSTRUCTIONS

CAUTION: BEFORE CONNECTING THE FIXTURE TO A POWER SUPPLY, MAKE SURE THE POWER IS SWITCHED OFF.

Includes: FCD803R, FCD803S with Adjustable LED Base (ADJ) Option

GENERAL:

1. Before starting the installation, make sure all electricity has been turned off and electrical breaker has been locked out and tagged out.
2. To ensure the success of the installation, be sure to read these instructions and review the diagrams thoroughly before beginning.
3. All electrical connections must be in accordance with local codes, ordinances, or the National Electrical Code.

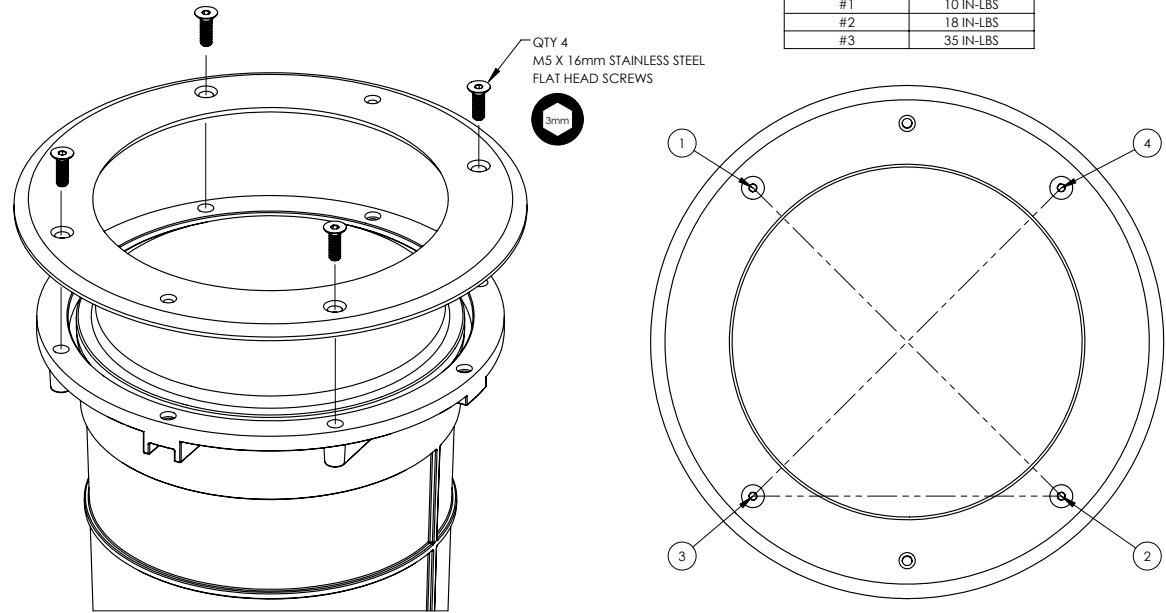
NOTE: The important safeguards and instructions appearing in this manual are not meant to cover all possible conditions and situations that may occur.

TORQUE PATTERN INSTRUCTIONS:

NOTE: IT IS RECOMMENDED TO APPLY LOCTITE 271 (NOT INCLUDED) TO SCREWS BEFORE TIGHTENING. LOCTITE 271 WILL PROLONG THE SEAL LIFETIME OF THE FIXTURE AND REDUCE THE RISK OF WATER INTRUSION.

NOTE: FAILURE TO FOLLOW TORQUE PATTERN WHILE TIGHTENING CAN RESULT IN WATER INTRUSION. EACH UNIT REQUIRES MULTIPLE ROUNDS OF TIGHTENING.

WARNING: DO NOT TIGHTEN TO 35 IN-LBS AT FIRST PASS. THIS CAN CAUSE CHIPPED GLASS OR DAMAGE THE GASKET. FIRST TORQUE PASS MUST BE 10 IN-LBS.



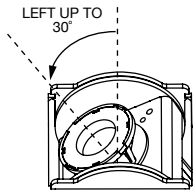
FCD803 Series w/Adjustable Optics (ADJ) (ALL GROUND) - INSTALLATION INSTRUCTIONS

CAUTION: BEFORE CONNECTING THE FIXTURE TO A POWER SUPPLY, MAKE SURE THE POWER IS SWITCHED OFF.

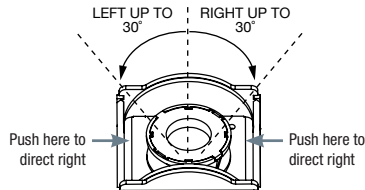
Includes: FCD803R, FCD803S with Adjustable LED Base (ADJ) Option



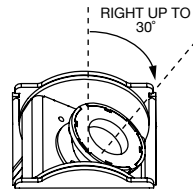
ADJUSTABLE OPTIC VIEW (ADJ):



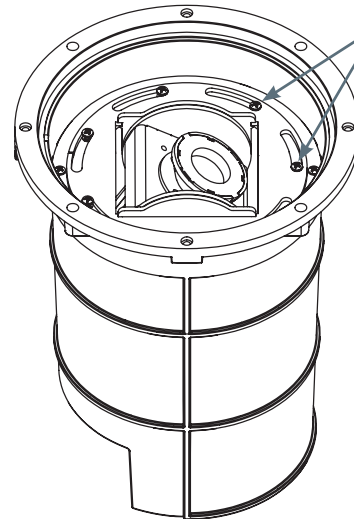
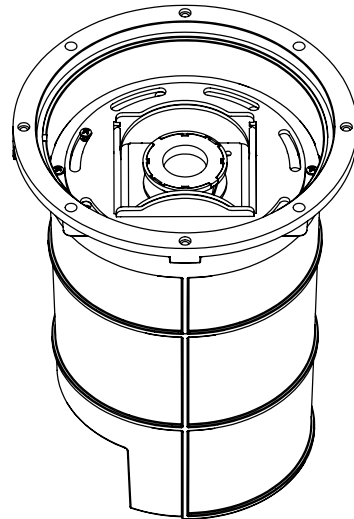
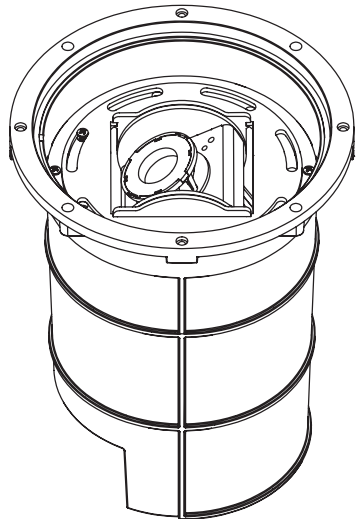
(OPTIC DIRECTED LEFT
UP TO 30°)



(OPTIC DIRECTED CENTERED
UP TO 30°)



(OPTIC DIRECTED RIGHT
UP TO 30°)



These screws can be loosened and tightened for additional adjustments

NOTE: The FCD803 Series (D803R, D803S) have an Ingress Protection 67 rating (IP67), meaning it is impenetrable to dust and can survive immersion in water for 30 minutes.

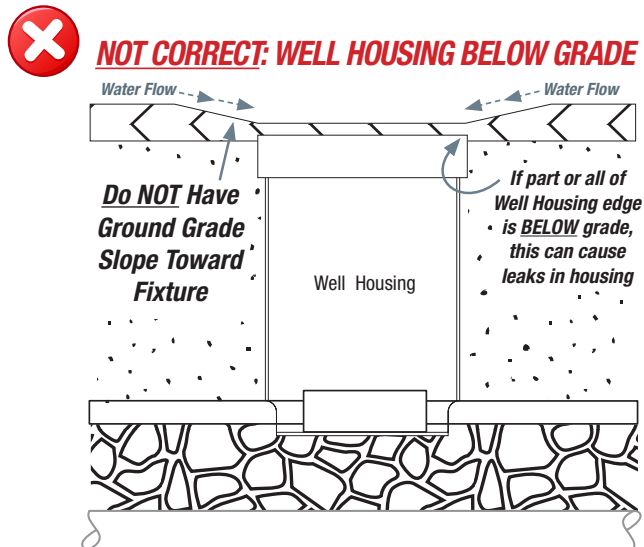
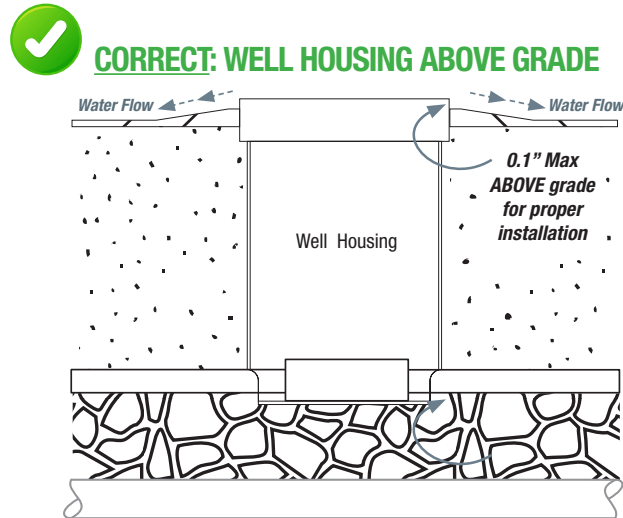
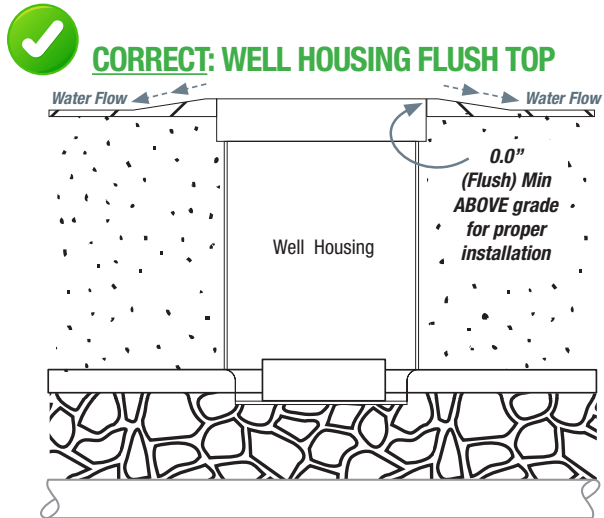
FCD803 Series w/Adjustable Optics (ADJ) (ALL GROUND) - INSTALLATION INSTRUCTIONS

CAUTION: BEFORE CONNECTING THE FIXTURE TO A POWER SUPPLY, MAKE SURE THE POWER IS SWITCHED OFF.

Includes: FCD803R, FCD803S with Adjustable LED Base (ADJ) Option



SIDE VIEWS:



TOP VIEW:

