

Date:	Approved:
Type:	
Luminaire:	
Project:	

FCF1105

Exterior 5" Flood, Architectural Facade, and Landscape Luminaire



FEATURES

- Up to 2020 lumens
- Wide range mounting options
- Many optical accessories
- Tempered glass lens
- IP66 rated
- 1.5G Vibration resistance
- 93 CRI with 2 SDCM

PERFORMANCE

Beam Spread: 10°, 15°, 25°, 40°, 60°, 120°
CCT Options: 2700K, 3000K, 3500K, 4000K, 5000K, Red, Green, Blue
CRI: 93 CRI
Consistency: 2 SDCM (Luminaire to Luminaire)
Lumens: 2020 lumens @ 4000K nominal
Lumen Maintenance: L70 > 70,000 hours



PHYSICAL

Mounting: Standard mounting is 1/2" - 14 NPS and includes adjustments for 150° vertical rotation and 360° horizontal rotation.

Housing: Marine grade, corrosion resistant, low copper, solid die-cast aluminum, captive stainless steel fasteners.

Finish: Available in Black, Bronze, Graphite Grey, Silver, White and Custom Colors. Six stage chemical iron phosphate conversion pre-treatment. Polyester powder coat finish, 18 µm minimum, 5,000 hour salt spray test (ASTM B117) compliant with Florida / AAMA 2604 specification.

Warranty: 5-Year limited warranty

Lens: Anti-reflective-clear, tempered glass w/silicone gasketing - IK07 Impact Rating

Ingress Protection: Dry, damp or wet locations IP66 rated

Weight: 6.1 lbs

Ambient Operating Temp: -22°F to 122°F (-30°C to 50°C)

ELECTRICAL

Voltage: Universal 120 - 277 VAC

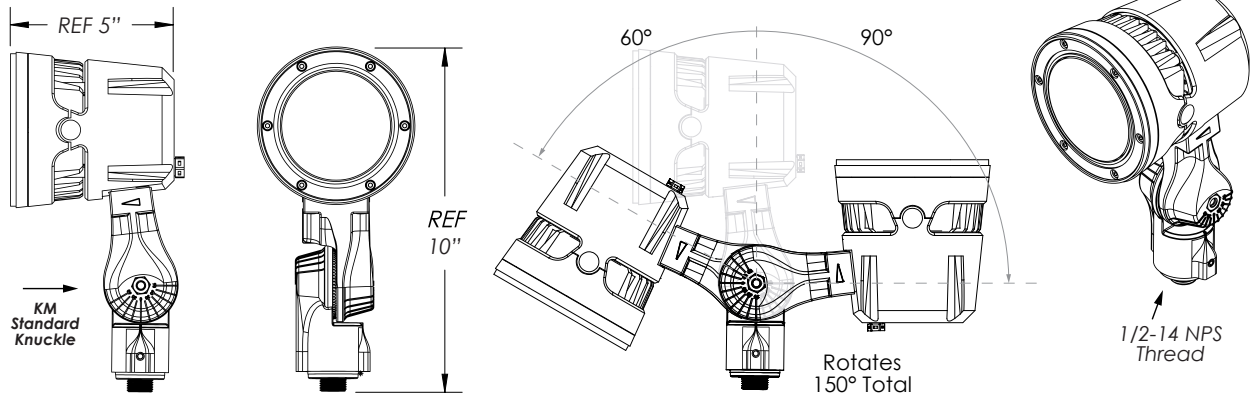
Power Supply: Integral Class II, electronic high-power factor >.90 @ 120V

Power Consumption: Up to 21W @ 120V

Dimming: 0-10V Dimming

Standards: cETLus Listed, CE, NOM, tested to UL 1598 and UL 8750 standards / UL-Class I / IES LM-79 / LM-80.

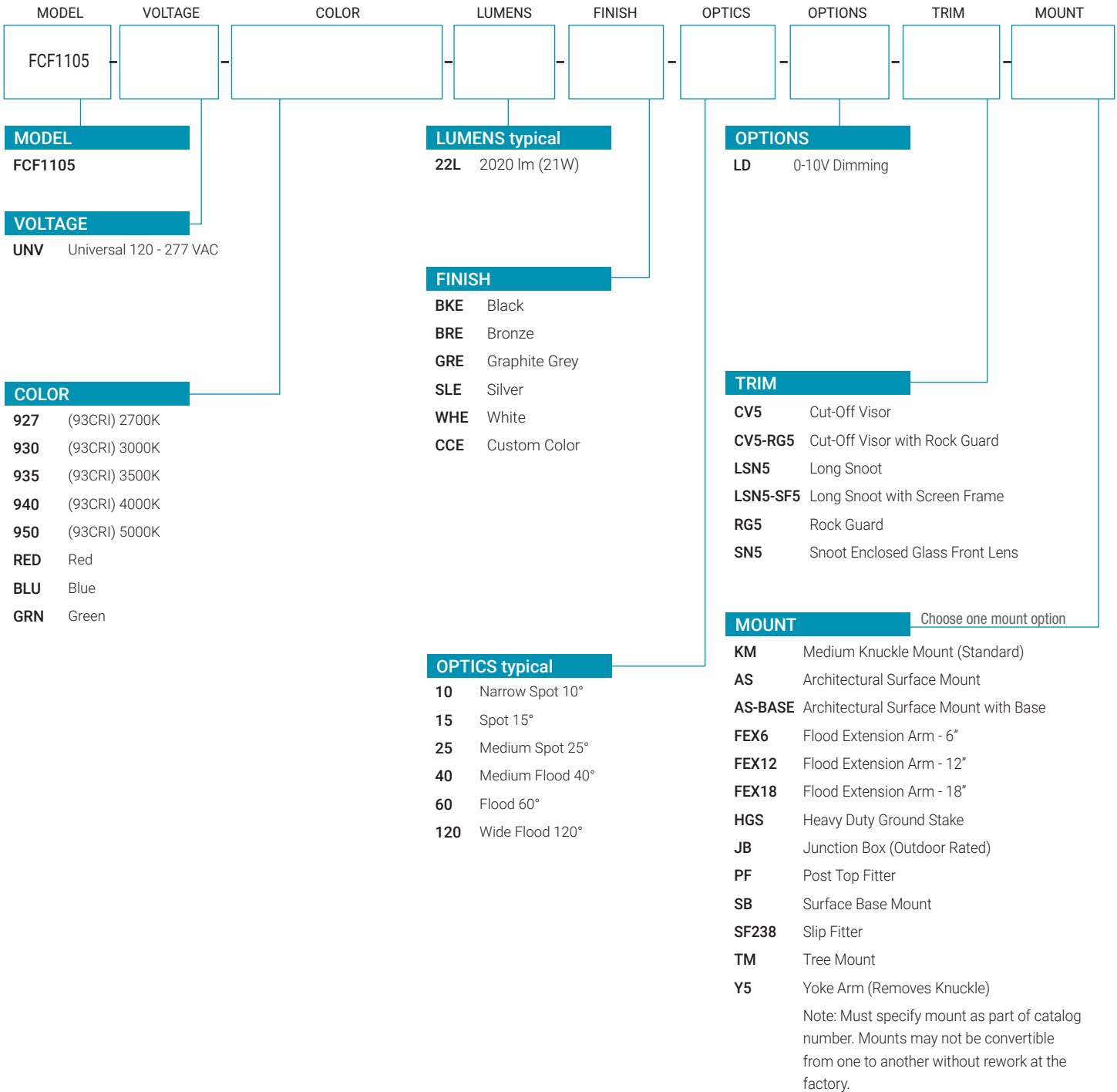
PHYSICAL DIMENSIONS



FCF1105

PRODUCT CODE

EXAMPLE: FCF1105-UNV-927-22L-BKE-10-LD-CV5-KM



FCF1105

LUMENS

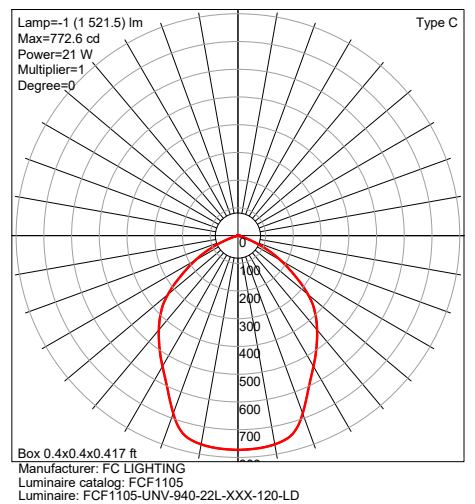
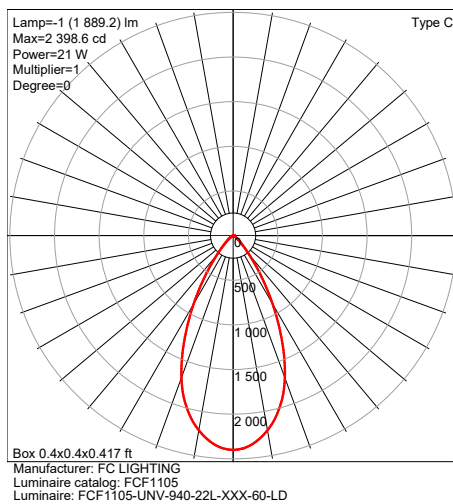
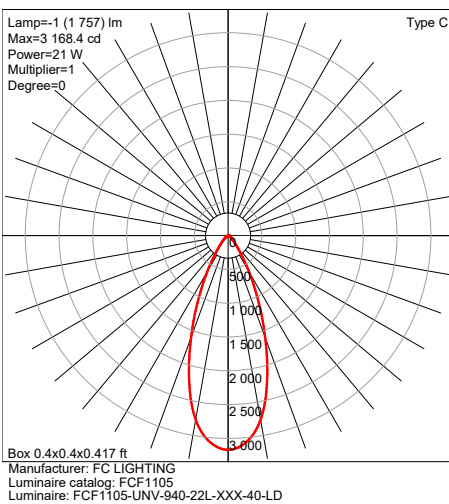
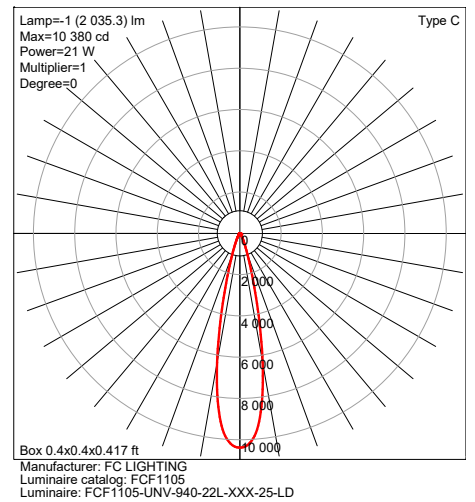
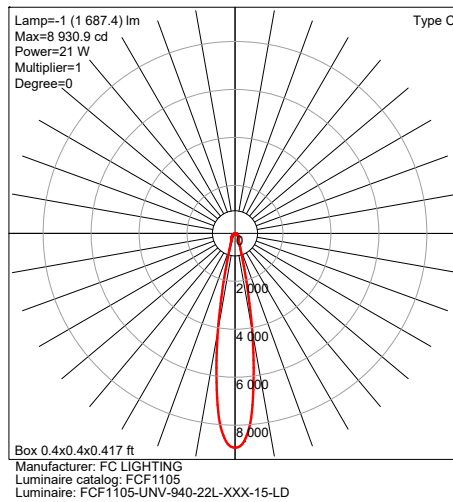
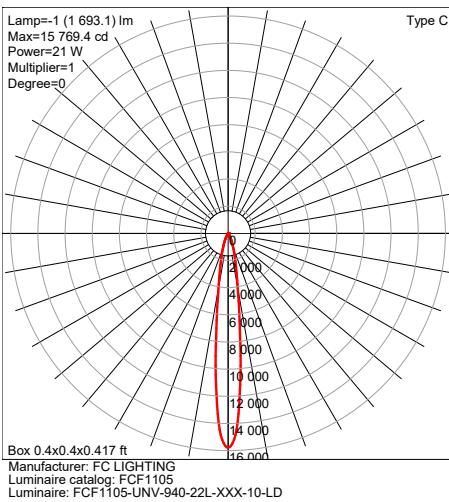
Model	Watts	4K
FCF1105	21W	2020 lm

IES Multiplier	
Color	Multiplier
927	0.83
930	0.91
935	0.91
940	1.00

*83CRI≤1.15 Consult factory.
*R,G,B Consult factory.

0-10V Approved Dimmer List	
Manufacturer	Manufacturer Part Number
Lutron	Diva DVSTV-XX
	Diva DVSTV-453PH-WH1
Leviton	Illumatech 010-IP710-DLZ


PHOTOMETRICS



Due to continuous development and improvements, specifications are subject to change without notice.

Product use certifies agreement to FC Lighting terms and conditions.

© FC Lighting, Inc. 3609 Swenson Ave • St. Charles, IL • 60174 | fclighting.com | 800.900.1730

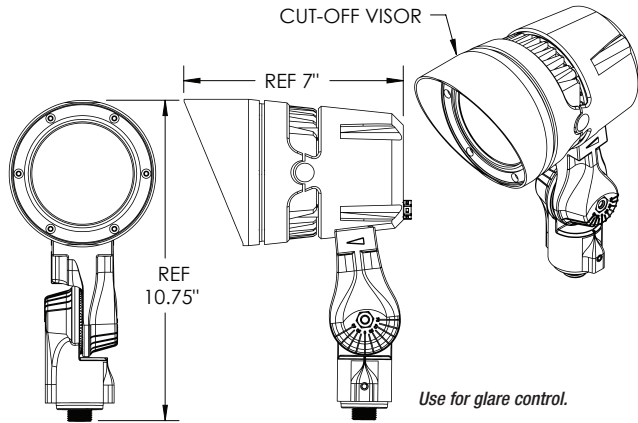
 US Commercial Lighting Manufacturer Since 1982

RG-DM-091625

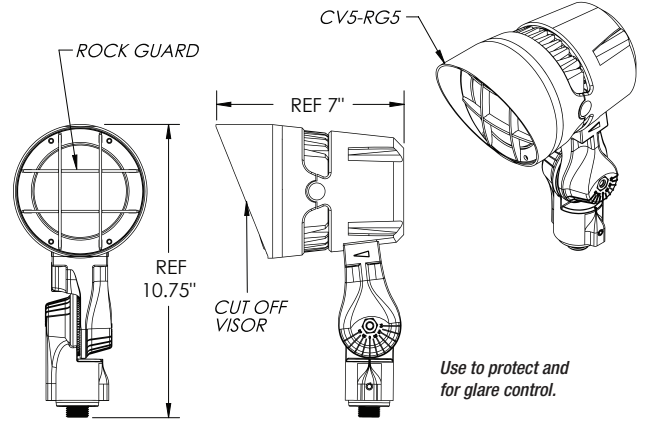
FCF1105

TRIM

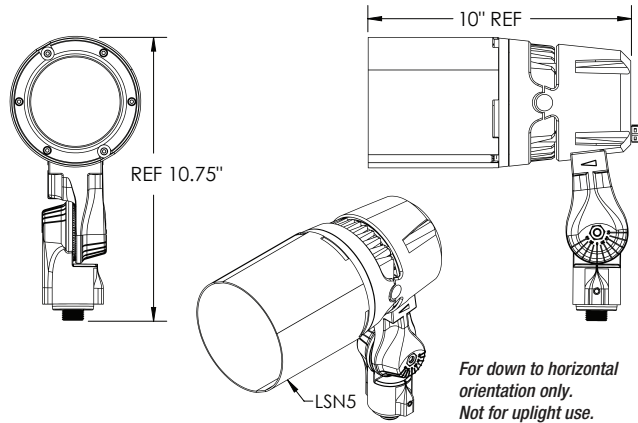
CV5 Cut-Off Visor



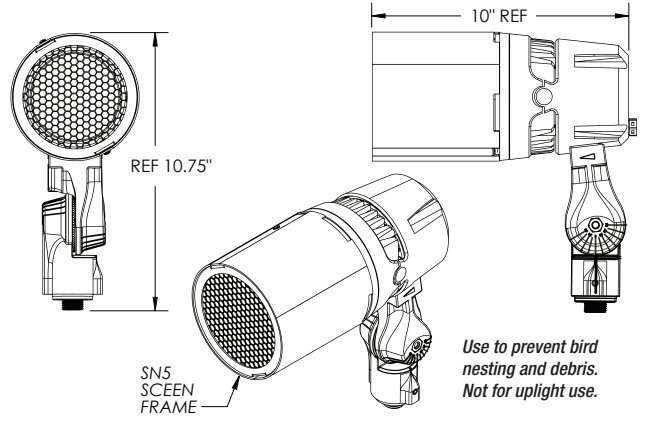
CV5-RG5 Cut-Off Visor with Rock Guard



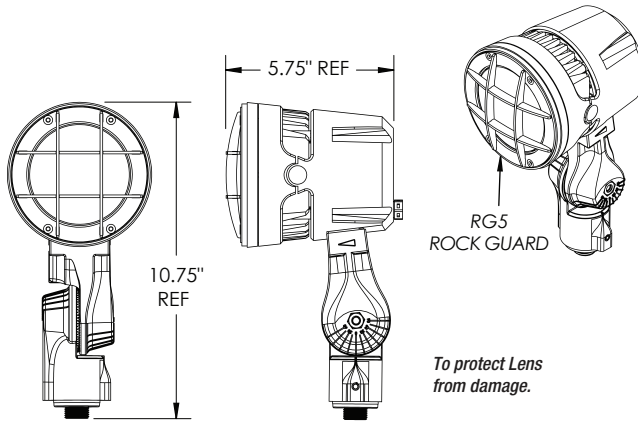
LSN5 Long Snoot



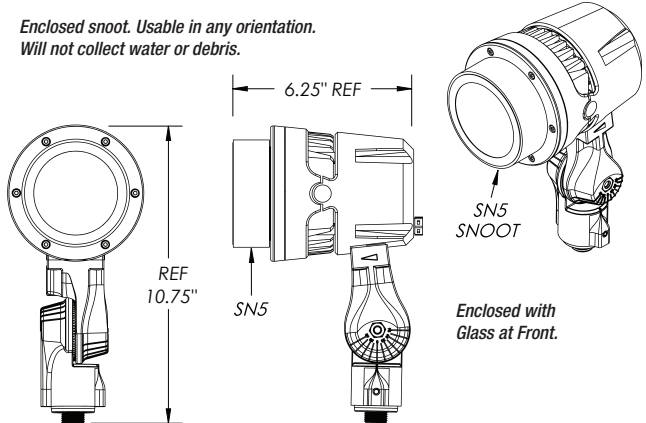
LSN5-SF5 Long Snoot with Screen Frame



RG5 Rock Guard



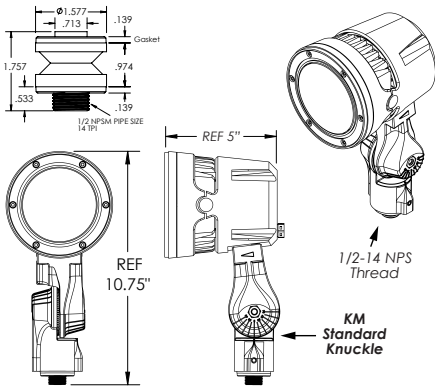
SN5 Snoot Enclosed Glass Front Lens



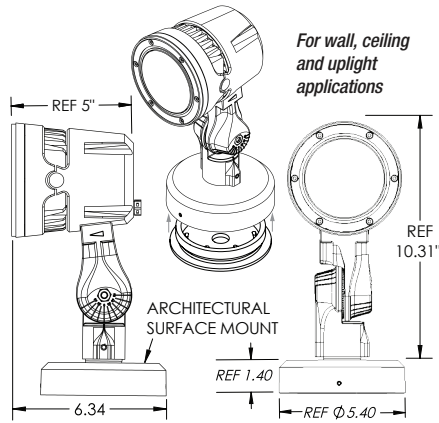
FCF1105

MOUNTING ACCESSORIES Please pick one of the below for mounting.

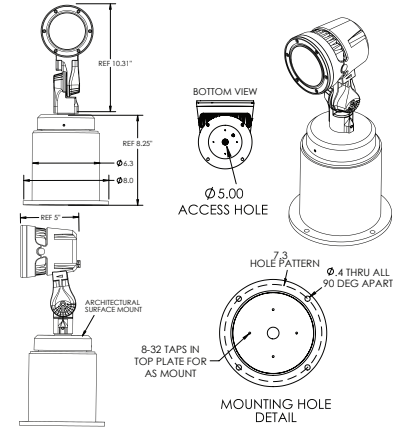
KM Knuckle Mount (Standard)



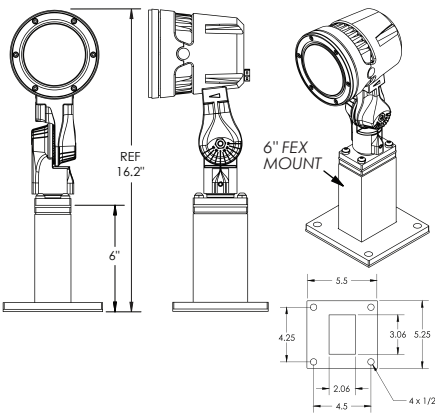
AS Architectural Surface Mount



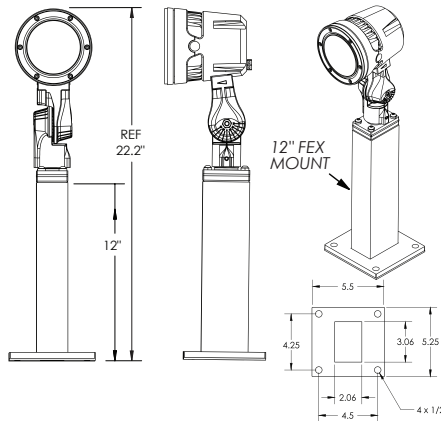
AS-BASE Architectural Surface Mount with Base



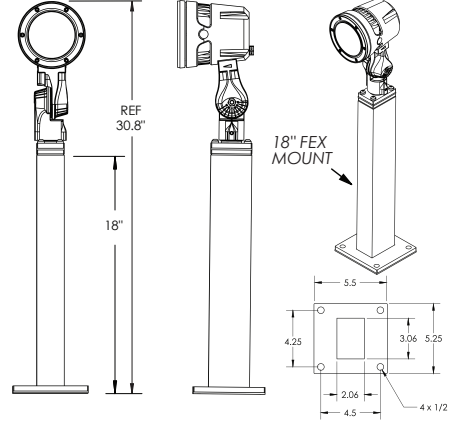
FEX6 Flood Extension Arm - 6\"



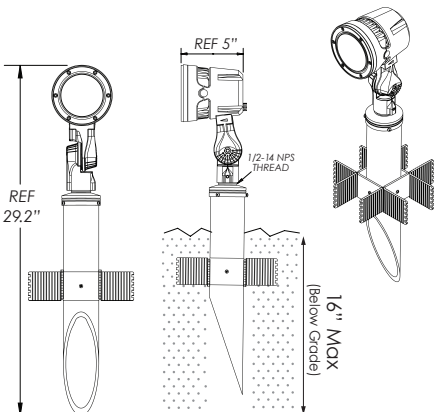
FEX12 Flood Extension Arm - 12\"



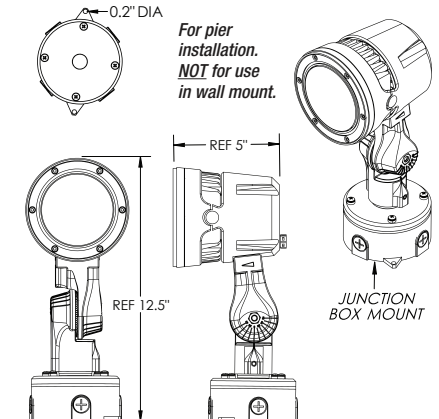
FEX18 Flood Extension Arm - 18\"



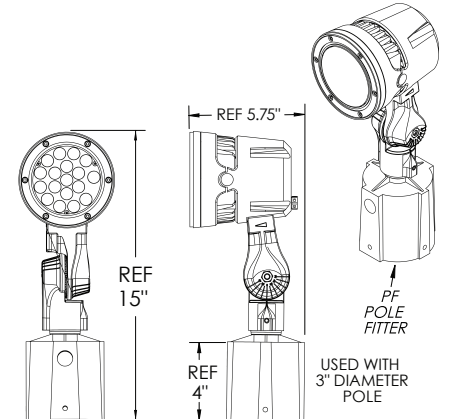
HGS Heavy Duty Ground Stake



JB Junction Box (Outdoor Rated)



PF Post Top Fitter



Due to continuous development and improvements, specifications are subject to change without notice.

Product use certifies agreement to FC Lighting terms and conditions.

© FC Lighting, Inc. 3609 Swenson Ave • St. Charles, IL • 60174 | fclighting.com | 800.900.1730

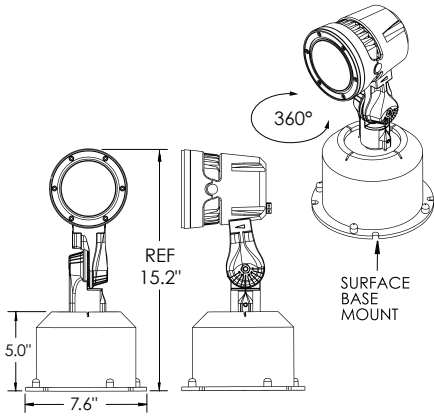
US Commercial Lighting Manufacturer Since 1982

RG-DM-091625

FCF1105

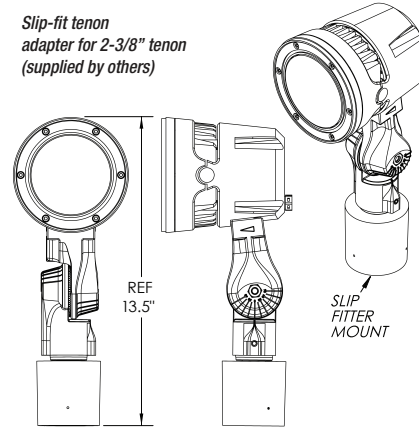
MOUNTING ACCESSORIES

SB Surface Base Mount



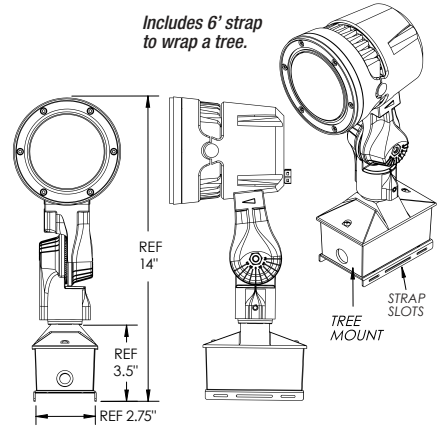
SF238 Slip Fitter

Slip-fit tenon adapter for 2-3/8" tenon (supplied by others)



TM Tree Mount

Includes 6' strap to wrap a tree.



Y5 Yoke Arm (Removes Knuckle)

