

Date:	Approved:
Type:	
Fixture:	
Project:	

# FCF1109

## Exterior 9" Flood, Architectural Facade, and Landscape Luminaire



### FEATURES

- Up to 10200 lumens
- Wide range mounting options
- Many optical accessories
- Tempered glass lens
- IP66 rated
- 1.5G Vibration resistance
- 93 CRI with 2 SDCM

### PERFORMANCE

- Beam Spread:** 10°, 20°, 30°, 70°, 100°
- CCT Options:** 2700K, 3000K, 3500K, 4000K, 5000K, Red, Green, Blue
- CRI:** 93 CRI
- Consistency:** 2 SDCM (Luminaire to Luminaire)
- Lumens:** 8200 - 10200 lumens @ 4000K nominal
- Lumen Maintenance:** L70 > 70,000 hours

### PHYSICAL

**Mounting:** Standard mounting is ½" - 14 NPS and includes adjustments for 150° vertical rotation and 360° horizontal rotation.

**Housing:** Marine grade, corrosion resistant, low copper, solid die-cast aluminum, captive stainless steel fasteners.

**Finish:** Available in Black, Bronze, Graphite Grey, Silver, White and Custom Colors. Six stage chemical iron phosphate conversion pre-treatment. Polyester powder coat finish, 18 µm minimum, 5,000 hour salt spray test (ASTM B117) compliant with Florida / AAMA 2604 specification.

**Warranty:** 5-Year limited warranty

**Lens:** Anti-reflective-clear, tempered glass w/silicone gasketing - IK07 Impact Rating

**Ingress Protection:** Dry, damp or wet locations IP66 rated

**Weight:** 10.1 lbs

**Ambient Operating Temp:** -22°F to 122°F (-30°C to 50°C)

### ELECTRICAL

**Voltage:** Universal 120 - 277 VAC

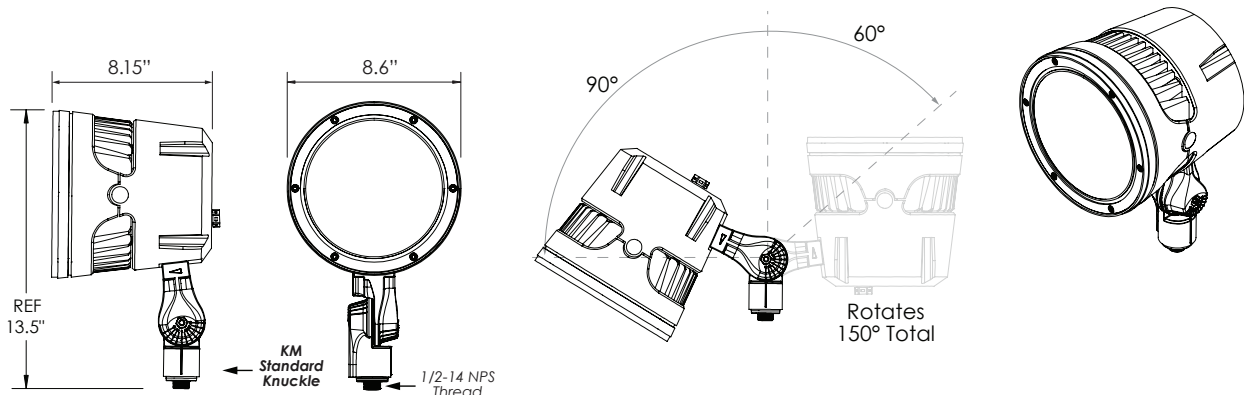
**Power Supply:** Integral Class II, electronic high-power factor >.90 @ 120V

**Power Consumption:** Up to 109W @ 120V

**Dimming:** 0-10V Dimming

**Standards:** cETLus Listed, CE, NOM, tested to UL 1598 and UL 8750 standards / UL-Class I / IES LM-79 / LM-80.

## PHYSICAL DIMENSIONS



# FCF1109

## PRODUCT CODE

EXAMPLE: FCF1109-UNV-927-73L-BKE-10-LD-CV9-KM



**MODEL**  
FCF1109

**VOLTAGE**  
UNV Universal 120 - 277 VAC  
120V 120 VAC (PE Option)

**COLOR**

927 (93CRI) 2700K  
930 (93CRI) 3000K  
935 (93CRI) 3500K  
940 (93CRI) 4000K  
950 (93CRI) 5000K  
RED Red<sup>2</sup>  
BLU Blue<sup>1</sup>  
GRN Green<sup>1</sup>

<sup>1</sup>Available only in 73L package  
<sup>2</sup>Available only in 108L package

**LUMENS nominal**

73L 8200 lm (80W)  
108L 10200 lm (109W)

**FINISH**

BKE Black  
BRE Bronze  
GRE Graphite Grey  
SLE Silver  
WHE White  
CCE Custom Color

**OPTICS nominal**

10 Spot 10°  
20 Medium Spot 20°  
30 Medium Flood 30°  
70 Flood 70°  
100 Wide Flood 100°

**OPTIONS**

LD 0-10V Dimming  
PE Photo Eye (120V Only) (Not used with Y9)

**TRIM**

CV9 Cut-Off Visor  
CV9-RG9 Cut-Off Visor with Rock Guard<sup>1</sup>  
LSN9 Long Shoot<sup>2</sup>  
LSN9-SF9 Long Shoot with Screen Frame<sup>2</sup>  
RG9 Rock Guard<sup>1</sup>  
SN9 Snoot Enclosed Glass Front Lens<sup>1</sup>

<sup>1</sup>Recommend ≤70 (Flood 70°)  
<sup>2</sup>Recommend ≤30 (Flood 30°)

**MOUNT** Choose one mount option

KM Medium Knuckle Mount (Standard)  
AS Architectural Surface Mount  
AS-BASE Architectural Surface Mount with Base  
FEX6 Flood Extension Arm - 6"  
FEX12 Flood Extension Arm - 12"  
HGS Heavy Duty Ground Stake  
JB Junction Box (Outdoor Rated)  
PF Post Top Fitter  
Y9 Yoke Arm (Removes Knuckle)

Note: Must specify mount as part of catalog number. Mounts may not be convertible from one to another without rework at the factory.

# FCF1109

## LUMENS

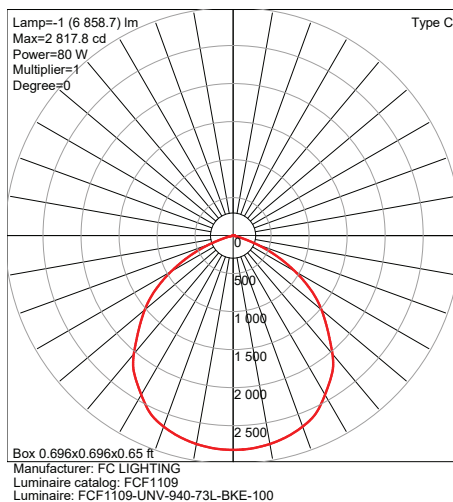
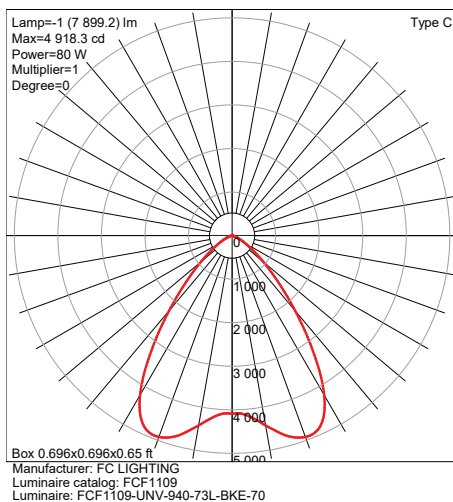
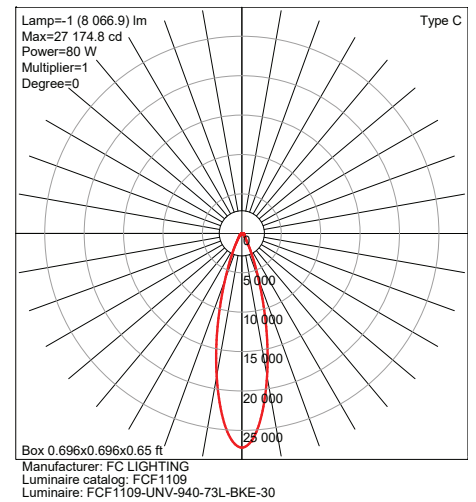
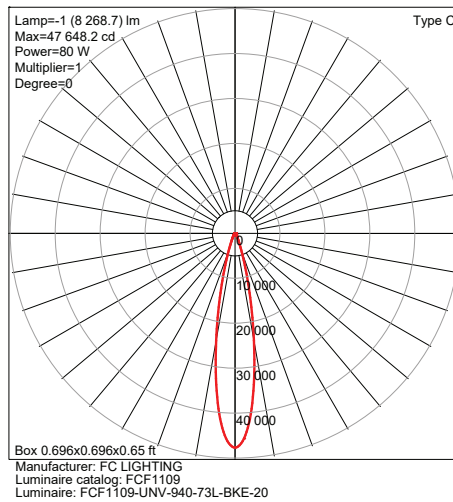
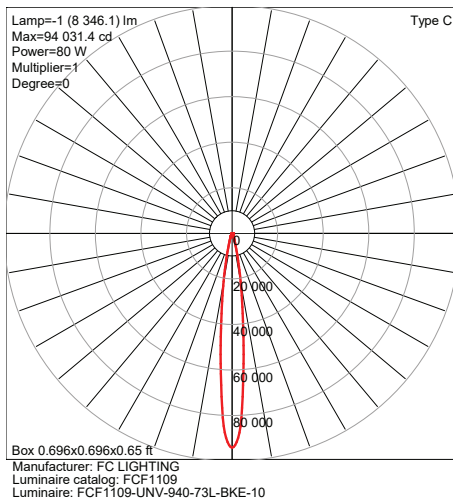
Model	Watts	4K
FCF1109	80W	8200 lm
	109W	10200 lm

IES Multiplier	
Color	Multiplier
927	0.83
930	0.91
935	0.91
940	1.00

\*83CRI≤1.15 Consult factory.  
\*R,G,B Consult factory.

0-10V Approved Dimmer List	
Manufacturer	Manufacturer Part Number
Lutron	Diva DVSTV-XX
	Diva DVSTV-453PH-WH1
Leviton	illumatech 010-IP710-DLZ

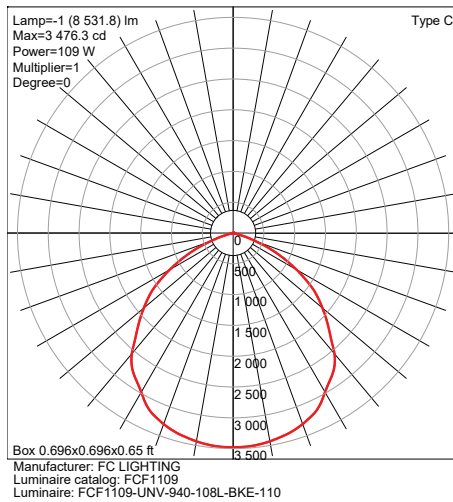
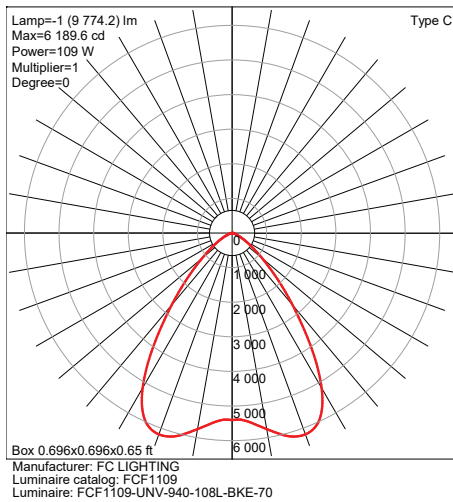
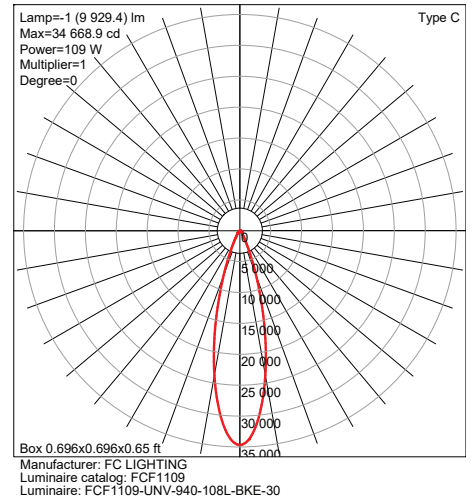
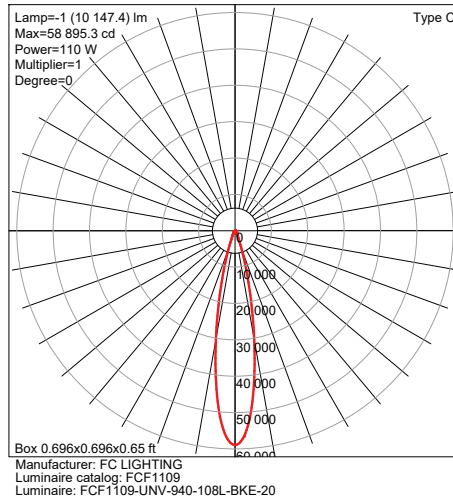
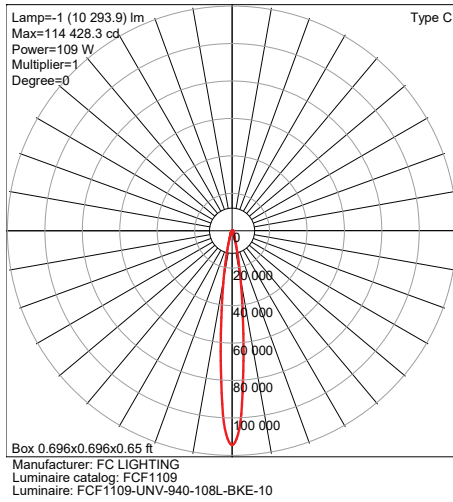
## PHOTOMETRICS



Due to continuous development and improvements, specifications are subject to change without notice.  
Product use certifies agreement to FC Lighting terms and conditions.

# FCF1109

## PHOTOMETRICS

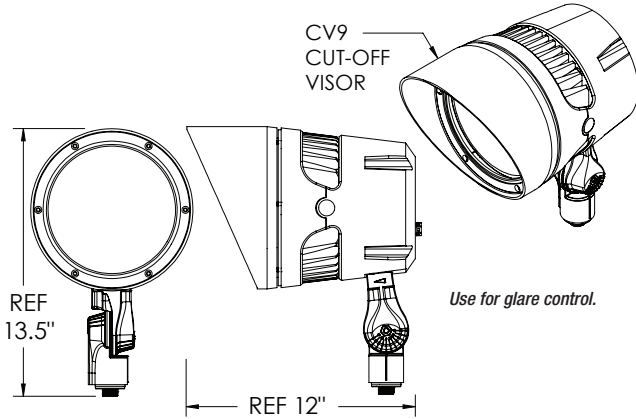


Due to continuous development and improvements, specifications are subject to change without notice.  
 Product use certifies agreement to FC Lighting terms and conditions.

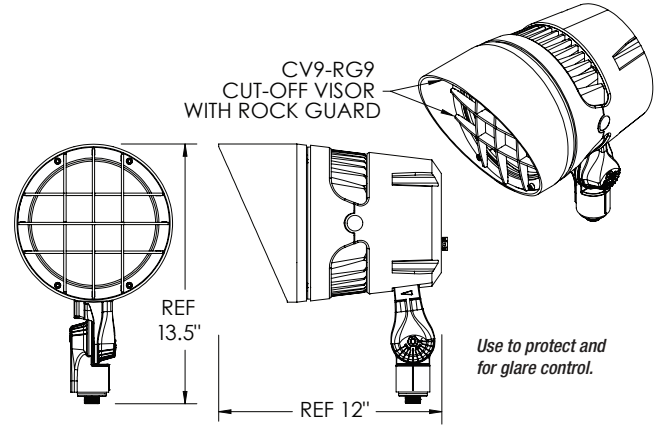
# FCF1109

## TRIM

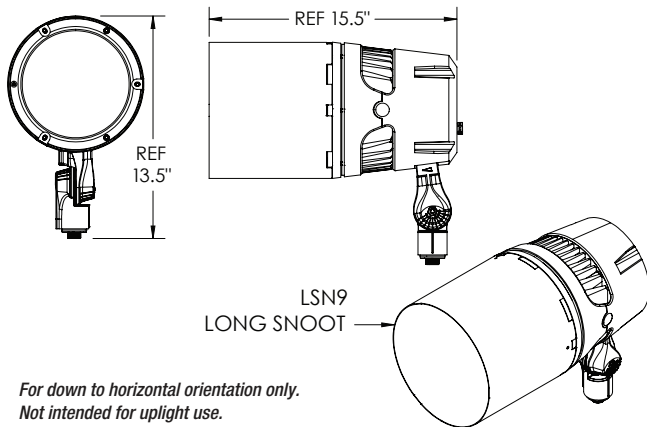
### CV9 Cut-Off Visor



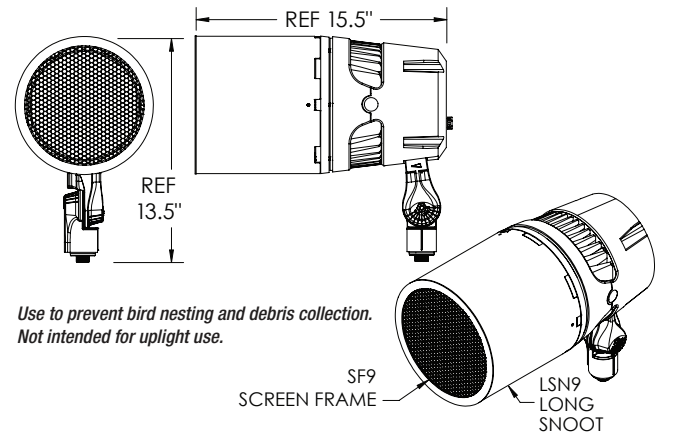
### CV9-RG9 Cut-Off Visor with Rock Guard



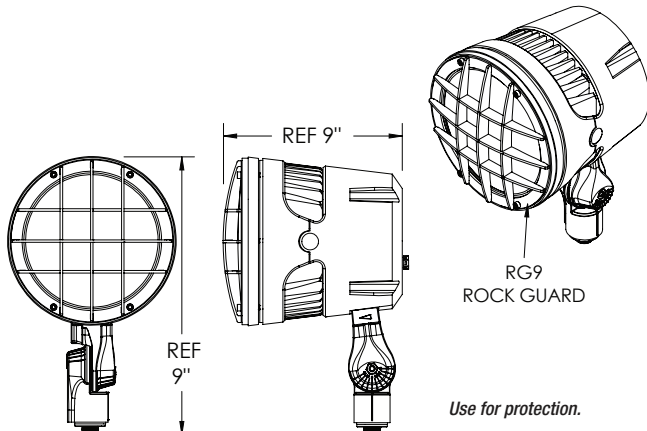
### LSN9 Long Snoot



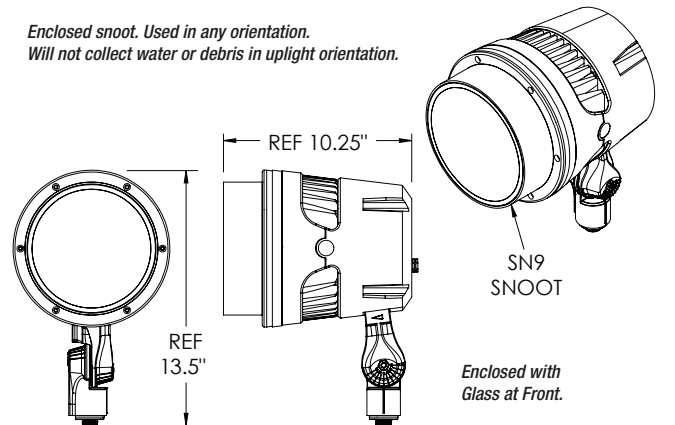
### LSN9-SF9 Long Snoot with Screen Frame



### RG9 Rock Guard



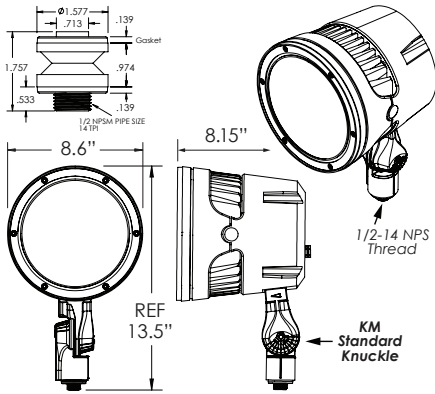
### SN9 Snoot Enclosed Glass Front Lens



# FCF1109

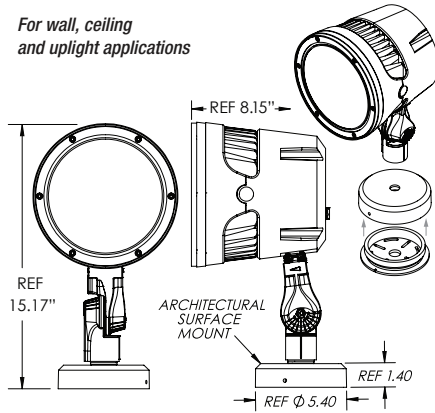
**MOUNTING ACCESSORIES** Please pick one of the below for mounting.

### KM Medium Knuckle Mount (Standard)

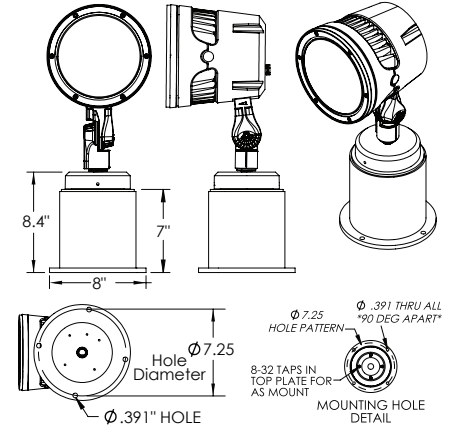


### AS Architectural Surface Mount

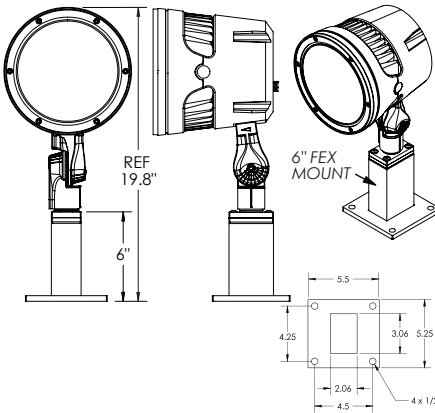
For wall, ceiling and uplight applications



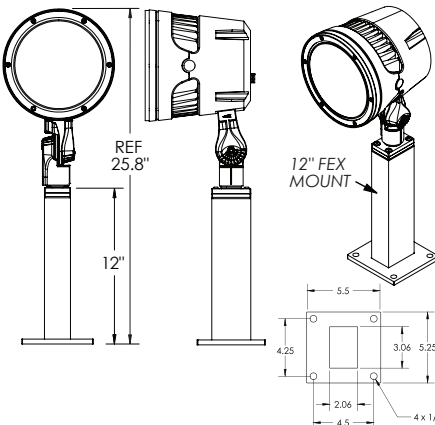
### AS-BASE Architectural Surface Mount with Base



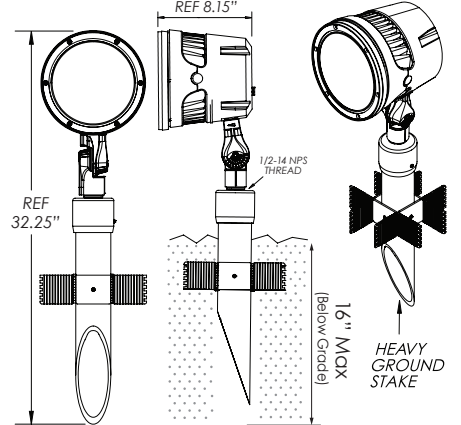
### FEX6 Flood Extension Arm - 6"



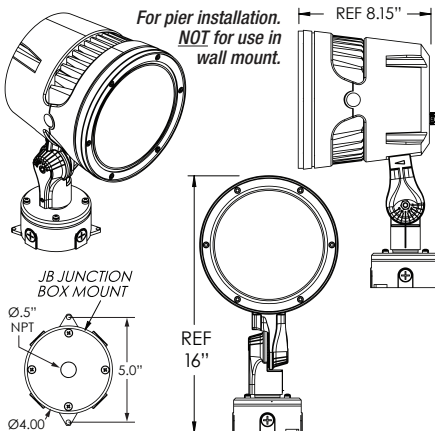
### FEX12 Flood Extension Arm - 12"



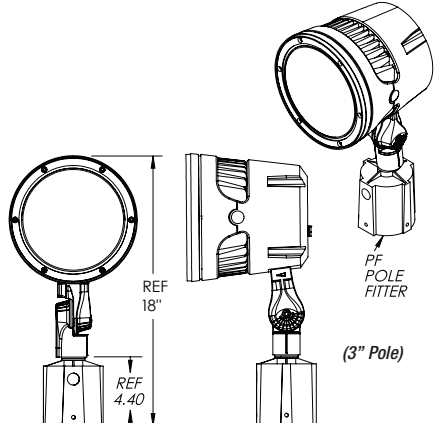
### HGS Heavy Duty Ground Stake



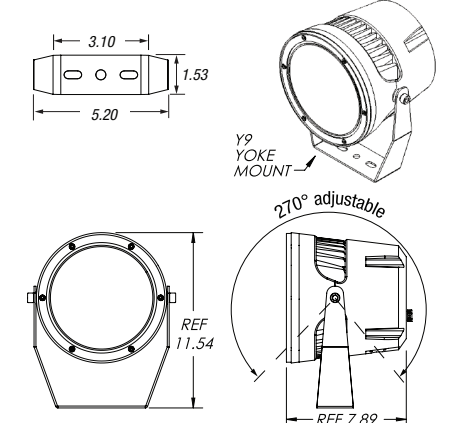
### JB Junction Box (Outdoor Rated)



### PF Post Top Fitter



### Y9 Yoke Arm (Removes Knuckle)



Due to continuous development and improvements, specifications are subject to change without notice.

Product use certifies agreement to FC Lighting terms and conditions.