

**FCP662**  
**FCP663**



**Date:** \_\_\_\_\_

**Type:** \_\_\_\_\_

**Luminaire:** \_\_\_\_\_

**Project:** \_\_\_\_\_

**Approved:**

**FCP662 and FCP663** 18" Pendant light is an adjustable cable mount luminaire with die-cast aluminum shade frame over glass shade that comes in a variety of color options.



**SPECIFICATIONS**

**PHYSICAL**

<b>dimensions</b>	FCP662: 17.5" Ø x 11" (Shade) H + 11.5" (Canopy) H, FCP663: 17.5" Ø x 11.625" (Shade) H
<b>weight</b>	12 lbs
<b>housing</b>	marine grade, corrosion resistant, heavy gauge aluminum
<b>shade</b>	<b>standard:</b> die-cast aluminum shade frame; etched aluminum ( <b>EA</b> ) reflector with anodized etched interior; ribbed acrylic ( <b>RA</b> )
<b>lens</b>	tempered glass lens with etched perimeter and clear center surface
<b>mounting</b>	mounts directly to standard junction box; grip-lock aviation cable supplied; adjustable cable (8"-120") standard
<b>ingress protection</b>	IP20, dry locations with neoprene continuous closed cell gasket to seal out contaminants
<b>finish</b>	Six stage cleaning and saline pre-treatment. TGIC polyester powder coat finish

**PERFORMANCE**

<b>color temperature</b>	2700K, 3000K, 3500K, 4000K
<b>lumen output</b>	6000 lm (FCP662 & FCP663)
<b>lifetime</b>	L70 > 70,000 hours
<b>color consistency</b>	3 SDCM, 85 or 90 CRI
<b>operating temperature</b>	-13°F to 104°F (-25°C to 40°C)
<b>junction temperature</b>	73°C @ T <sup>a</sup> 25°C
<b>warranty</b>	5-Year limited warranty (refer to website for details)

**ELECTRICAL**

<b>input voltage</b>	Universal 120-277 VAC, optional: 347 VAC (integral)
<b>power supply</b>	integral Class II, electronic high-power factor > 94% @120V
<b>certifications</b>	ETL / cETL Listed, CEC Title 24 JA8 compliant (only 90 CRI)
<b>standards</b>	UL1598, CSA C22.2 No. 250.0, UI 8750, CSA C22.2 No. 250.13, IES LM-79/LM-80
<b>power consumption</b>	66W @ 6000 lm (maximum)
<b>dimming</b>	<b>LD</b> 0-10V Dimming (1%)

Due to continuous development and improvements, specifications are subject to change without notice. FC Lighting reserves the right to change lab test details or specifications without notice. Product use certifies agreement to FC Lighting terms and conditions.

## Ordering Information



### ORDERING INFORMATION

Example: FCP662-UNV-4K-CRI85-60L-TG-RA-LD

FCP662						60L								
SERIES	VOLTAGE	CCT	CRI	LUMENS	FINISH	SHADE COLOR	OPTIONS							
FCP662	UNV	UNV 120V-277V	27K	2700K	CRI85	85 CRI	60L	6000 lm (66W)	CC	Custom Color	EA	Etched Aluminum	LD	0-10V Dimming, 1%
	347V	347V (remote)	3K	3000K	CRI90	90 CRI			TG	Textured Gray	RA	Ribbed Acrylic		
			35K	3500K										
			4K	4000K										

### REMOTE DRIVER & BATTERY BACKUP

FCP662R														
SERIES	VOLTAGE	CCT	CRI	LUMENS	FINISH	SHADE COLOR	OPTIONS							
FCP662R <sup>†</sup>	UNV	UNV 120V-277V	27K	2700K	CRI85	85 CRI	60L	6000 lm (66W)	CC	Custom Color	EA	Etched Aluminum	LD	0-10V Dimming, 1%
			3K	3000K	CRI90	90 CRI			TG	Textured Gray	RA	Ribbed Acrylic	BBUR <sup>‡</sup>	Battery Backup Remote (Indoor)
			35K	3500K									N/A	Leave Blank for Remote Driver Only (without Battery Backup)
			4K	4000K										

<sup>†</sup> LED DRIVER REMOTE (INDOOR) IP20, IK08, NEMA 1, -20°C to +50°C, 30' MAX Distance with 12AWG.

\*Consult factory for outdoor remote driver only.

<sup>‡</sup> Battery Back-up & LED Driver Remote (INDOOR), IP20, IK08, NEMA 1, 0°C to +48°C, 30' MAX Distance with 12AWG (w/UNV Option Only)

FCP663														
SERIES	VOLTAGE	CCT	CRI	LUMENS	FINISH	SHADE COLOR	OPTIONS							
FCP663	UNV	UNV 120V-277V	27K	2700K	CRI85	85 CRI	60L	6000 lm (66W)	CC	Custom Color	EA	Etched Aluminum	LD	0-10V Dimming
	347V	347V (remote)	3K	3000K	CRI90	90 CRI			TG	Textured Gray	RA	Ribbed Acrylic		
			35K	3500K										
			4K	4000K										

### REMOTE DRIVER & BATTERY BACKUP

FCP662R														
SERIES	VOLTAGE	CCT	CRI	LUMENS	FINISH	SHADE COLOR	OPTIONS							
FCP662R <sup>†</sup>	UNV	UNV 120V-277V	27K	2700K	CRI85	85 CRI	60L	6000 lm (66W)	CC	Custom Color	EA	Etched Aluminum	LD	0-10V Dimming, 1%
			3K	3000K	CRI90	90 CRI			TG	Textured Gray	RA	Ribbed Acrylic	BBUR <sup>‡</sup>	Battery Backup Remote (Indoor)
			35K	3500K									N/A	Leave Blank for Remote Driver Only (without Battery Backup)
			4K	4000K										

<sup>†</sup> LED DRIVER REMOTE (INDOOR) IP20, IK08, NEMA 1, -20°C to +50°C, 30' MAX Distance with 12AWG.

\*Consult factory for outdoor remote driver only.

<sup>‡</sup> Battery Back-up & LED Driver Remote (INDOOR), IP20, IK08, NEMA 1, 0°C to +48°C, 30' MAX Distance with 12AWG (w/UNV Option Only)

### Consult Factory for other options and configurations.

To ensure you receive proper configurations for your lighting specifications, contact us directly about any unique application requirements. This may include but not be limited to lumen output, mounting needs, or electrical requirements.

Due to continuous development and improvements, specifications are subject to change without notice. FC Lighting reserves the right to change lab test details or specifications without notice. Product use certifies agreement to FC Lighting terms and conditions.

## Dimensions



PRODUCT DIMENSIONS - FCP662 STANDARD PRODUCT		MOUNTING FCP662 - <i>j-box sold by others</i>	
width	Ø 17.5"	mounting plate width	4.5" W
height (shade)	11" H		
height (housing)	15" H		
height (canopy)	1.25" H		

3.5" or 2.75" mounting diameter

j-box mounting plate:  
mounts flush to surface  
and is included  
with luminaire

PRODUCT DIMENSIONS - FCP663 STANDARD PRODUCT		MOUNTING FCP663 - <i>j-box sold by others</i>	
width	Ø 17.5"	mounting plate width	7" W
height (shade)	11" H		
height (housing)	11.63" H		
height (canopy)	3.8" H		

2.8" to 5" mounting diameter

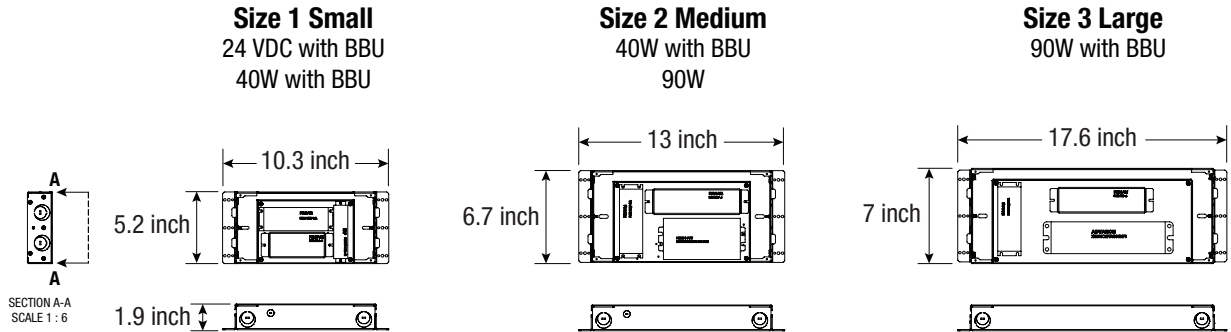
j-box mounting plate:  
mounts flush to surface  
and is included  
with luminaire

Due to continuous development and improvements, specifications are subject to change without notice. FC Lighting reserves the right to change lab test details or specifications without notice. Product use certifies agreement to FC Lighting terms and conditions.

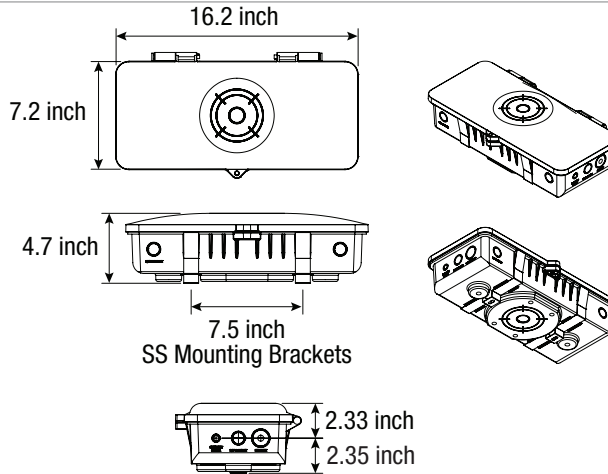
# Battery Backup



**BBUR** — Battery Backup & LED Driver Remote (Indoor), IP20, IK08, NEMA 1, 0 to 48 °C (32 to 118 °F), 30 feet Maximum Distance with 12 AWG (with UNV Option Only)



**BBUX** — Battery Backup & LED Driver Remote (Outdoor), IP67, IK10, NEMA 4X, -20 to 55 °C (-4 to 131 °F), 30 feet Maximum Distance with 12AWG (with UNV Option Only)



Due to continuous development and improvements, specifications are subject to change without notice. FC Lighting reserves the right to change lab test details or specifications without notice. Product use certifies agreement to FC Lighting terms and conditions.