

READ AND SAVE THESE INSTRUCTIONS
INSTALLATION AND OPERATION
INSTRUCTIONS FOR: FCP660-FCP664

CAUTION: BEFORE CONNECTING THE FIXTURE TO A POWER SUPPLY, MAKE SURE THE POWER IS SWITCHED OFF.



corporate
t 800.900.1730
f 630.889.8106
3609 Swenson Ave.
St. Charles, IL 60174

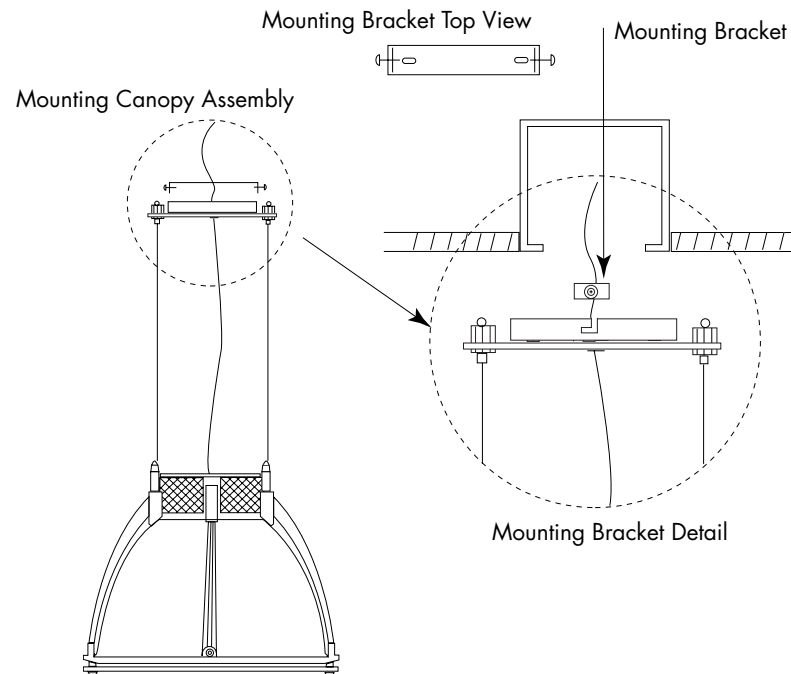
GENERAL

1. Before starting the installation, disconnect the power by turning off the circuit breaker or by removing the fuse at the fuse box. Turning the power off at the light switch is not sufficient to prevent electrical shock.
2. To ensure the success of the installation, be sure to read these instructions and review the diagrams thoroughly before beginning.
3. All electrical connections must be in accordance with local codes, ordinances, or the National Electrical Code.
4. These fixtures are intended to be mounted to a 2" x 4" deep metal octagon outlet box. The box must be directly supported by the building structure.

NOTE: The important safeguards and instructions appearing in this manual are not meant to cover all possible conditions and situations that may occur.

INSTALLATION

- 1) Remove mounting bracket from canopy assembly. Loosen screws and twist to unlock position.
- 2) Mount bracket to 3½" octagonal J-Box (2¾" screw spacing-fasteners by others), slots allow for box size adjustment.
- 3) Make power supply wire connections.
- 4) Attach canopy to mounting bracket by lifting to bracket, lining up slots in canopy to screws in mounting bracket. See mounting bracket detail below. Twist into locked position and tighten screws to secure canopy to mounting bracket.
- 5) Adjust aircraft cable and cord to desired length. Trim excess aircraft cable above fitting.
- 6) Remove lens, set aside with fasteners.
- 7) Install lamps, per label requirement.
- 8) Replace lens and tighten screws.



CONFIDENTIAL

THIS DOCUMENT IS THE PROPRIETARY PROPERTY OF FC LIGHTING, INC. ANY UNAUTHORIZED TRANSFER, USE OR REPRODUCTION IS STRICTLY PROHIBITED.
©2010 FC LIGHTING, INC.