

Date:	Approved:
Type:	
Luminaire:	
Project:	

FCSL1000 Series

FCSL1000 Series ADA certified, direct AC, die-cast step light for installation in standard, single-gang j-box for interior or exterior applications. ELV dimming included.

120V ONLY



FCSL1012 FCSL1013 FCSL1014 FCSL1015



SPECIFICATIONS

PHYSICAL

dimensions	Luminaire: 3.1" W x 4.9" H x depth from surface: FCSL1012 or FCSL1013 - .6" D, FCSL1014 or FCSL1015 - .3" D
weight	0.4 lbs
housing	Marine grade, corrosion resistant, heavy walled, die-cast aluminum
lens	White glass lens
mounting	Mounts directly to single-gang J-Box with minimum inside dimension, 4"H X 2"W X 1.75"D, Mount Vertical (std) or in Horizontal Position (HP)
ingress protection	IP65 : dry, damp or wet locations with neoprene gasket
faceplate finish	Available in Black, Bronze, Graphite Grey, Silver, White and Custom Colors. Six stage chemical iron phosphate conversion pre-treatment. Polyester powder coat finish, 18 µm Minimum, 5,000 hour salt spray test (ASTM B117) compliant with Florida / AAMA 2604 specification.

PERFORMANCE

color temperature	2700K, 3000K, 3500K, 4000K
lumen output	models: FCSL1012 - 10 lm, FCSL1013 - 15 lm, FCSL1014 - 50 lm, FCSL1015 - 76 lm
lumen maintenance	L70 > 70,000 hours
color consistency	3 SDCM / 85 CRI
operating temperature	-13°F to 104°F (-25°C to 40°C)
warranty	5-Year limited warranty

ELECTRICAL

input voltage	120 VAC only
power supply	Integral Class II, electronic high-power factor > 94% @ 120V
standards	ETL / cETL
power consumption	3W (10~76 lm)
dimming	ELV dimming, 10% minimum (included)

FCSL1000 Series



Ordering Information

PART NUMBER

ELV DIMMING INCLUDED

SERIES	VOLTAGE	CCT	CRI	LUMENS	FINISH	OPTIONS
FCSL1012	120V 120 VAC only	27K 2700K White	CRI85 85 CRI	01L 10 lm FC SL1012 (3W)	BKE Black	CL Clear Lens
FCSL1013		3K 3000K White		02L 15 lm FC SL1013 (3W)	BRE Bronze	BL Blue Lens
FCSL1014		35K 3500K White		05L 50 lm FC SL1014 (3W)	GRE Graphite Grey	AL Amber Lens
FCSL1015		4K 4000K White		09L 76 lm FC SL1015 (3W)	SLE Silver	AM Anti-Microbial Paint
					WHE White	HP Horizontal Position
					CCE Custom Color	

JUNCTION BOX OPTIONS Indicate quantities on lines below.

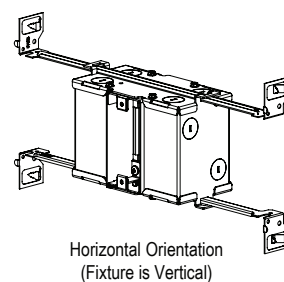
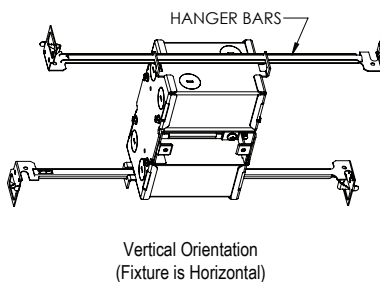
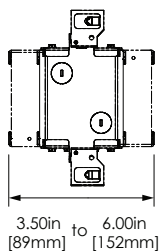
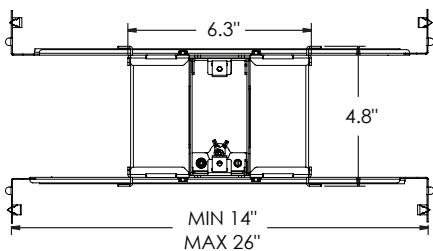
_____ **JBTW** Junction Box Thru-Wall - Double-sided, adjustable junction box and hanger bars. Functions in both vertical and horizontal orientations. Requires compatible conduit adapters below*

_____ **JBC-3/8** 3/8 Conduit Adapter - Sized for 3/8 trade size conduits and 0.44-0.61 OD Armored Cable (AC, MC), 3/8 knockout

_____ **JBC-1/2** 1/2 Conduit Adapter - Sized for 1/2 trade size conduits and 0.71-0.91 OD Armored Cable (AC, MC), 1/2 knockout

*Conduit adapters sold separately. Please order JBC-3/8 or JBC-1/2 based on your conduit size needs. 2 pcs required for thru-wiring, 1 pc required for end of run.

JUNCTION BOX THRU-WALL (JBTW) DIMENSIONS - WORKS IN BOTH VERTICAL & HORIZONTAL ORIENTATIONS



Consult Factory for other options and configurations.

To ensure you receive proper configurations for your lighting specifications, contact us directly about any unique application requirements. This may include but not be limited to lumen output, mounting needs, or electrical requirements.

Dimensions

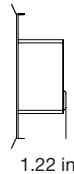
FCSL1000 Series



MOUNTING - ALL MODELS *j-box sold by others*

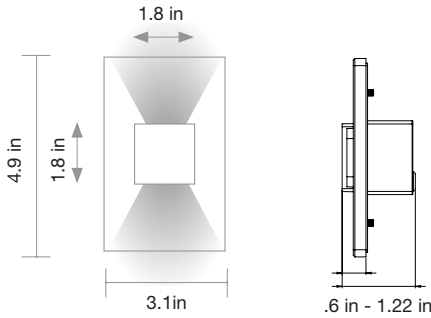
width x height	1.8" W x 1.8" H
back box depth	.1.22" D

back box mounts inside surface: faceplate attaches to mounting cleat flush to surface - see installation instructions for proper mounting directions



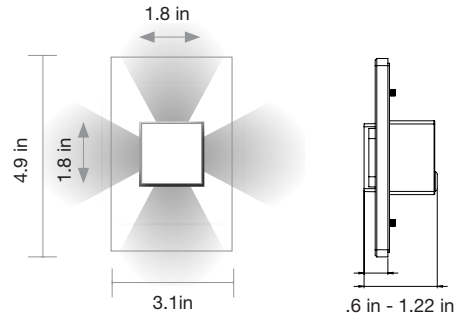
PRODUCT DIMENSIONS - FCSL1012 *(2 window indirect)*

width x height	3.1" W x 4.9" H
surface depth FCSL1012	.6" D



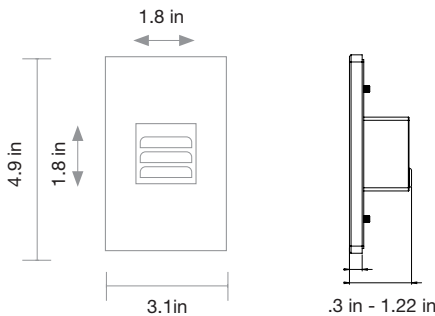
PRODUCT DIMENSIONS - FCSL1013 *(4 window indirect)*

width x height	3.1" W x 4.9" H
surface depth FCSL1013	.6" D



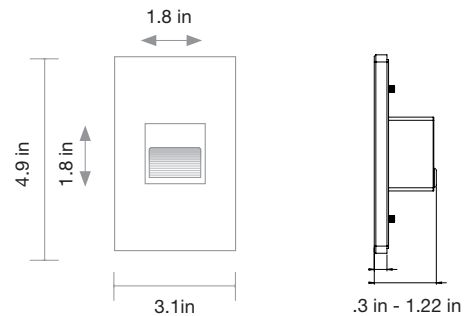
PRODUCT DIMENSIONS - FCSL1014 *(louvered)*

width x height	3.1" W x 4.9" H
surface depth FCSL1014	.3" D



PRODUCT DIMENSIONS - FCSL1015 *(recessed cut-off)*

width x height	3.1" W x 4.9" H
surface depth FCSL1015	.3" D



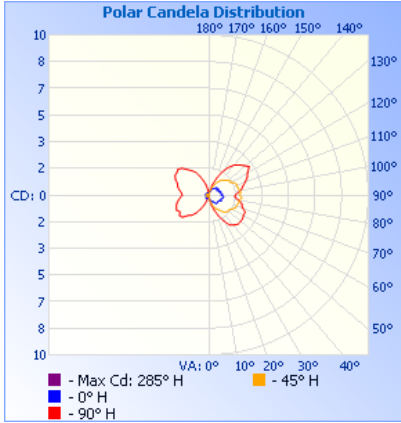
Due to continuous development and improvements, specifications are subject to change without notice. Product use certifies agreement to FC Lighting, Inc. terms and conditions.

Photometry

FCSL1000 Series



FCSL1012 LED 4000K 10 lumens

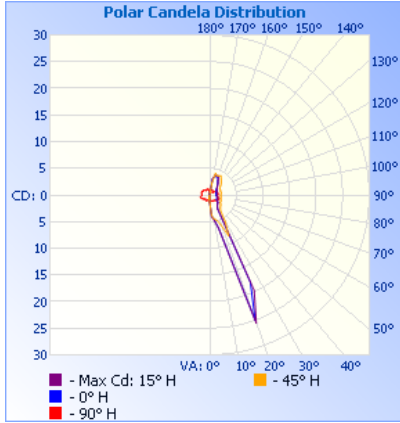


Illuminance at a Distance

Center Beam fc	Beam Width
1.7ft	0.01 fc 23.0 ft 1.2 ft
3.3ft	0.00 fc 44.6 ft 2.4 ft
5.0ft	0.00 fc 67.6 ft 3.6 ft
6.7ft	0.00 fc 90.6 ft 4.8 ft
8.3ft	0.00 fc 112.2 ft 5.9 ft
10.0ft	0.00 fc 135.2 ft 7.2 ft

Vert. Spread: 163.2°
Horiz. Spread: 39.4°

FCSL1013 LED 4000K 15 lumens

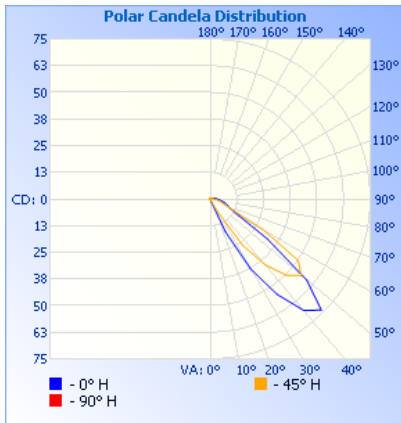


Illuminance at a Distance

Center Beam fc	Beam Width
1.7ft	0.47 fc 0.3 ft 0.6 ft
3.3ft	0.12 fc 0.6 ft 1.1 ft
5.0ft	0.05 fc 0.9 ft 1.7 ft
6.7ft	0.03 fc 1.2 ft 2.2 ft
8.3ft	0.02 fc 1.5 ft 2.8 ft
10.0ft	0.01 fc 1.8 ft 3.3 ft

Vert. Spread: 10.5°
Horiz. Spread: 18.9°

FCSL1014 LED 4000K 50 lumens

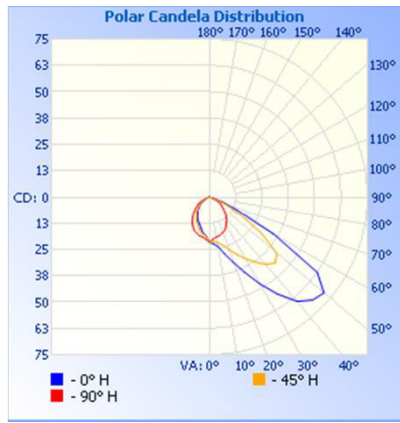


Illuminance at a Distance

Center Beam fc	Beam Width
1.7ft	0.01 fc 0.7 ft 2.4 ft
3.3ft	0.00 fc 1.4 ft 4.6 ft
5.0ft	0.00 fc 2.2 ft 7.0 ft
6.7ft	0.00 fc 2.9 ft 9.4 ft
8.3ft	0.00 fc 3.6 ft 11.7 ft
10.0ft	0.00 fc 4.3 ft 14.0 ft

Vert. Spread: 24.5°
Horiz. Spread: 70.2°

FCSL1015 LED 4000K 76 lumens



Illuminance at a Distance

Center Beam fc	Beam Width
1.7ft	7.44 fc 1.2 ft 1.8 ft
3.3ft	1.97 fc 2.3 ft 3.6 ft
5.0ft	0.86 fc 3.4 ft 5.4 ft
6.7ft	0.48 fc 4.6 ft 7.3 ft
8.3ft	0.31 fc 5.7 ft 9.0 ft
10.0ft	0.22 fc 6.9 ft 10.8 ft

Vert. Spread: 38.0°
Horiz. Spread: 56.9°

Due to continuous development and improvements, specifications are subject to change without notice.
Product use certifies agreement to FC Lighting, Inc. terms and conditions.