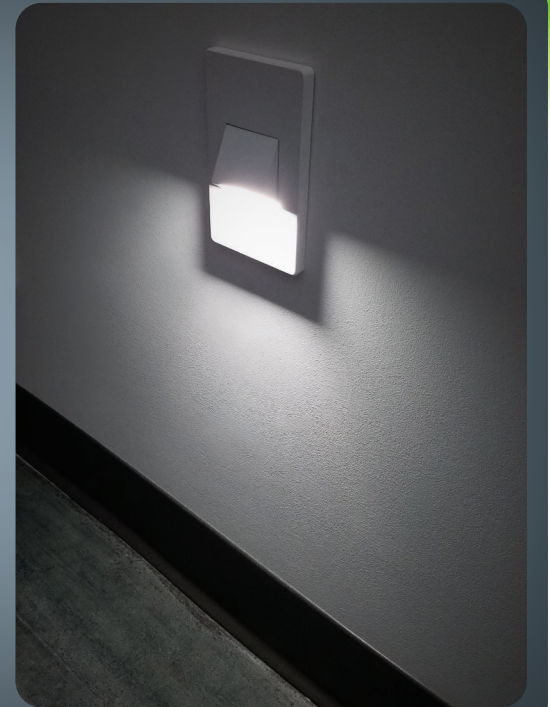


# FCSL1000 Series Step Lights

J-box Step Lights

4 Unique Faceplates

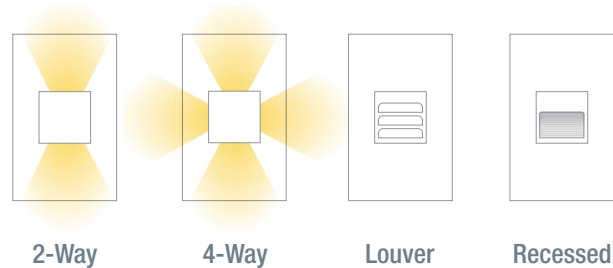


**Die cast aluminum, J-box step lights for interior and exterior use. Luminaire installs in minutes, direct wire to 120V single-gang J-box.**

The FCSL1000 Series are step lights designed for maximum impact with minimal installation effort. They provide an even, non-glare lighting effect. There are four unique faceplates with different lighting effects for applications from hospitals, institutions, to commercial buildings and landscapes.

4 Unique Lighting Effects

- Luminaire installs in minutes
- Mount vertical or horizontal
- Direct wire to standard 120 VAC
- 27k, 3k, 35k, 4k Color Temperatures
- Blue & Amber color lens options
- Powder coat any custom color
- Anti-Microbial paint option
- Low profile ADA compliant luminaires



**IP65**  
Wet Location

**ADA**



**5-Year Warranty**

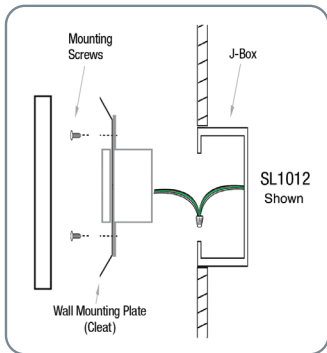
Design • Performance • Sustainability



## FCSL1000 Series Step Lights



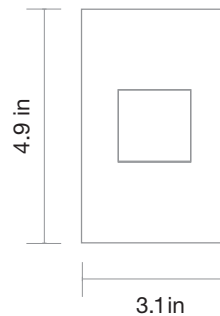
FCSL1000 Series step lights are designed to install in a single-gang J-box and are ETL listed for interior or exterior wet locations. Choose from four different faces. Corrosion resistant, heavy walled, high pressure die cast construction. Lens is 1/8" thick, tempered frosted lens is standard. An optional clear lens or static color in Amber or Blue. Six stage chemical pretreatment process for polyester powder coat. These luminaires easily install directly to a standard J-box and have a 5 year limited warranty.



Easy to install

Use a single-gang J-box and easily install step lights in minutes.

Overall Faceplate Dimensions



- Small Footprint
- Maximum Effect
- **ADA** Compliant

### 4 Unique Lighting Effects

Images at right are taken from our FCSL1000 Demo Display, showing different powder coat finishes and lighting effects. Contact your local representative to inquire about Demo Display availability by visit [fclighting.com](http://fclighting.com).



### ORDERING NUMBERS

EXAMPLE: FCSL1012-120V-4K-70-WH-CL

SERIES	VOLTAGE	SOURCE/TEMPERATURE/LAMP	FINISH	OPTIONS
FCSL1012	120V	LED 27K (3.3W Max)	WH White	CL Clear Lens
FCSL1013		3K (Refer to specifications)	BK Black	BL Blue Lens
FCSL1014		35K for lumen photometry)	BZ Bronze	AL Amber Lens
FCSL1015		4K	GR Graphite Grey	AM Anti-Microbial Paint
			SL Silver	HP Horizontal Position
			CC Custom Color	

SS-FCSL1000-0225

FC Lighting reserves the right to change, without notice, details or specifications in product design. Product use certifies agreement to FC Lighting's terms and conditions.

© FC Lighting • 3609 Swenson Ave., St. Charles, IL 60174 • p. 800-900-1730 • f. 630-889-8106 • [fclighting.com](http://fclighting.com)