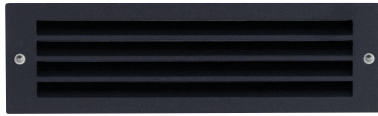


# FCSL105



**FCSL105** IP65 rated exterior die-cast brick step light with louvered faceplate for masonry applications. Corrosion resistant, die-cast aluminum construction, this luminaire provides illumination for damp, dry or wet areas.



## SPECIFICATIONS

### PHYSICAL

<b>lengths/dimensions</b>	9.5" W x 2.8125" H x 3" Deep
<b>weight</b>	2 lbs
<b>housing</b>	Marine grade, corrosion resistant, heavy gauge aluminum louvered faceplate
<b>lens</b>	White glass lens
<b>mounting</b>	Concrete pour, masonry applications
<b>ingress protection</b>	IP65: dry, damp or wet locations with extruded silicone gasket to seal out contaminants
<b>faceplate finish</b>	Available in Black, Bronze, Graphite Grey, Silver, White and Custom Colors. Six stage chemical iron phosphate conversion pre-treatment. Polyester powder coat finish, 18 µm minimum, 5,000 hour salt spray test (ASTM B117) compliant with Florida / AAMA 2604 specification.

### PERFORMANCE

<b>color temperature</b>	2700K, 3000K, 3500K, 4000K
<b>lumen output</b>	190 lm
<b>lumen maintenance</b>	L70 > 70,000 hours
<b>color consistency</b>	3 SDCM / 85 CRI
<b>operating temperature</b>	-13°F to 104°F (-25°C to 40°C)
<b>warranty</b>	5-Year limited warranty

### ELECTRICAL

<b>input voltage</b>	Universal 120 - 277 VAC
<b>power supply</b>	Integral Class II, electronic high-power factor > 94% @ 120V
<b>certifications</b>	ETL / cETL Listed, ADA compliant, BUG Rating: B0-U0-G0, IC Rated
<b>standards</b>	UL1598/CSA C22.2 No. 250.0; UL 8750/CSA C22.2 No. 250.13/IES LM-79/LM-80
<b>power consumption</b>	10W (190 lm)
<b>dimming</b>	0-10V (10%)

Due to continuous development and improvements, specifications are subject to change without notice. FC Lighting reserves the right to change lab test details or specifications without notice. Product use certifies agreement to FC terms and conditions.



# Ordering Information

## ORDERING INFORMATION

FCSL105					CRI85	2L						
SERIES	VOLTAGE		CCT		CRI		LUMENS		FINISH		OPTIONS	
FCSL105	120V	120 VAC	27K	2700K	CRI85	85 CRI	2L	190 lm (10W)	BKE	Black	LD	0-10V Dimming (Standard)
	277V	277 VAC	3K	3000K					BRE	Bronze	HB	Hanger Bracket
	UNV	120 - 277 VAC	35K	3500K					GRE	Graphite Grey	LBB	Less Back Box (for shipment separate of Back Box)
			4K	4000K					SLE	Silver		
								WHE	White			
									CCE	Custom Color		

## BACK BOX KITS

- H99001-ETL** Back Box Kit - Complete Back Box shipped in advance of luminaire without mounting kit.
- H99001-ETL-HB** Back Box Kit w/ Hanger Bar - Includes (H99001-ETL) Complete Back Box shipped with mounting kit and Hanger Bar (HB), shipped in advance of luminaire.

## REMOTE DRIVER & BATTERY BACKUP

FCSL105R	UNV				CRI85	2L						
SERIES	VOLTAGE		CCT		CRI		LUMENS		FINISH		OPTIONS	
FCSL105R <sup>†</sup>	UNV	120 - 277 VAC	27K	2700K	CRI85	85 CRI	2L	190 lm (10W)	BKE	Black	LD	0-10V Dimming (Standard)
			3K	3000K					BRE	Bronze	HB	Hanger Bracket
			35K	3500K					GRE	Graphite Grey	LBB	Less Back Box (for shipment separate of Back Box)
			4K	4000K					SLE	Silver		
								WHE	White	BBUR <sup>1</sup>	Battery Backup Remote (Indoor)	
								CCE	Custom Color	BBUX <sup>2</sup>	Battery Backup Remote (Outdoor)	
										N/A	(Leave Blank for Remote Driver Only without Battery Backup)	

<sup>†</sup> LED DRIVER REMOTE (INDOOR) IP20, IK08, NEMA 1, -20°C to +50°C, 30' MAX Distance with 12AWG.  
\*Consult factory for outdoor remote driver only.

<sup>1</sup> Battery Back-up & LED Driver Remote (INDOOR), IP20, IK08, NEMA 1, 0°C to +48°C, 30' MAX Distance with 12AWG (w/UNV Option Only)

<sup>2</sup> Battery Back-up & LED Driver Remote (OUTDOOR), IP67, IK10, NEMA 4X, -20°C to +55°C, 30' MAX Distance with 12AWG (w/UNV Option Only)

### Consult Factory for other options and configurations.

To ensure you receive proper configurations for your lighting specifications, contact us directly about any unique application requirements. This may include but not be limited to lumen output, mounting needs, or electrical requirements.

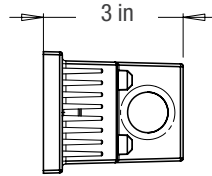
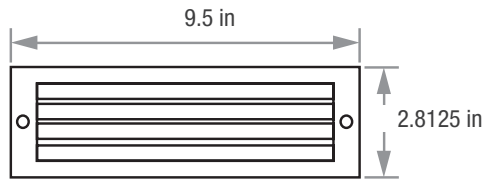
Due to continuous development and improvements, specifications are subject to change without notice. FC Lighting reserves the right to change lab test details or specifications without notice. Product use certifies agreement to FC terms and conditions.



# Dimensions

## PRODUCT DIMENSIONS - STANDARD PRODUCT

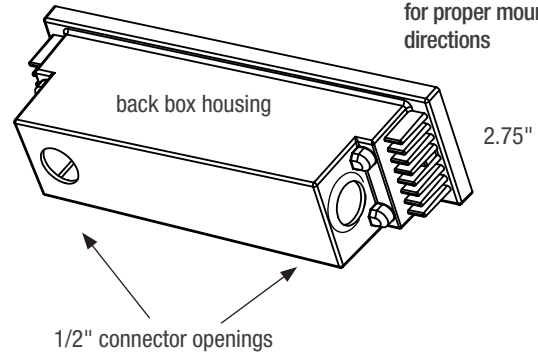
<b>width</b>	9.5" W
<b>height</b>	2.8125" H
<b>depth</b>	3" D



## MOUNTING - *j-box sold by others*

<b>back box width</b>	9.375" W
<b>back box height</b>	2.64" H
<b>back box depth</b>	3" D

back box mounts inside brick masonry: faceplate flush to surface or in front of surface - see installation instructions for proper mounting directions



Due to continuous development and improvements, specifications are subject to change without notice. FC Lighting reserves the right to change lab test details or specifications without notice. Product use certifies agreement to FC terms and conditions.



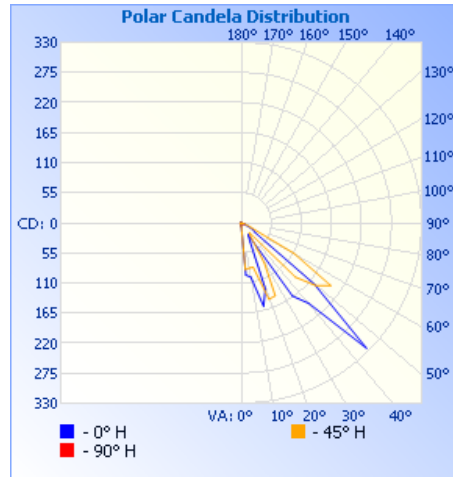
# Photometry

## OPTICAL DISTRIBUTION

<b>lumen output</b>	188 Lm @ 4000K
<b>power consumption</b>	10W

Illuminance at a Distance			
	Center Beam fc	Beam Width	
1.7ft	1.94 fc	0.5 ft	1.4 ft
3.3ft	0.52 fc	0.9 ft	2.7 ft
5.0ft	0.22 fc	1.4 ft	4.1 ft
6.7ft	0.12 fc	1.8 ft	5.5 ft
8.3ft	0.08 fc	2.3 ft	6.9 ft
10.0ft	0.06 fc	2.7 ft	8.3 ft

■ Vert. Spread: 15.5°  
■ Horiz. Spread: 44.9°



**iti illuminations testing laboratory**: Report #2014

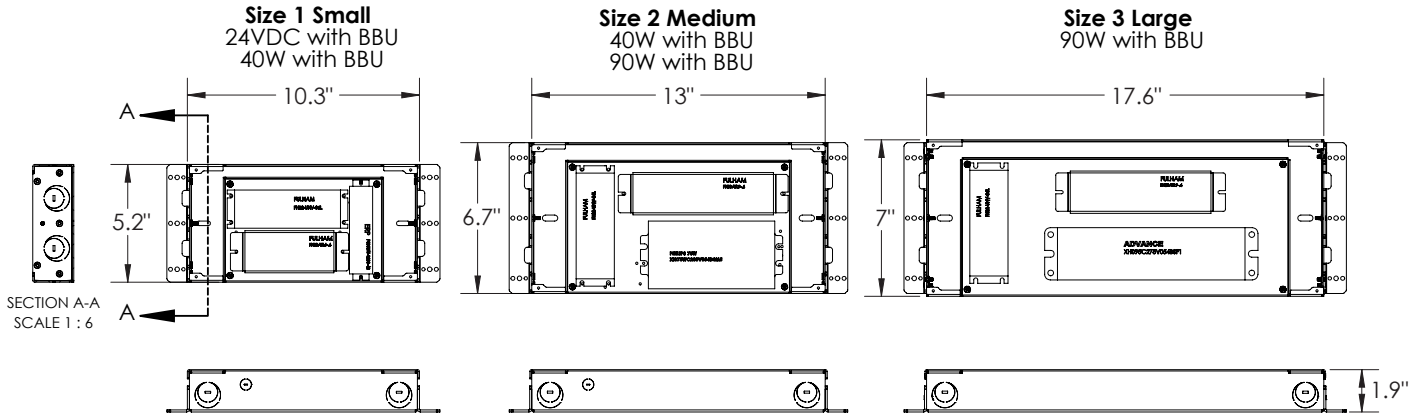
Due to continuous development and improvements, specifications are subject to change without notice. FC Lighting reserves the right to change lab test details or specifications without notice. Product use certifies agreement to FC terms and conditions.

 US Commercial Lighting Manufacturer Since 1982

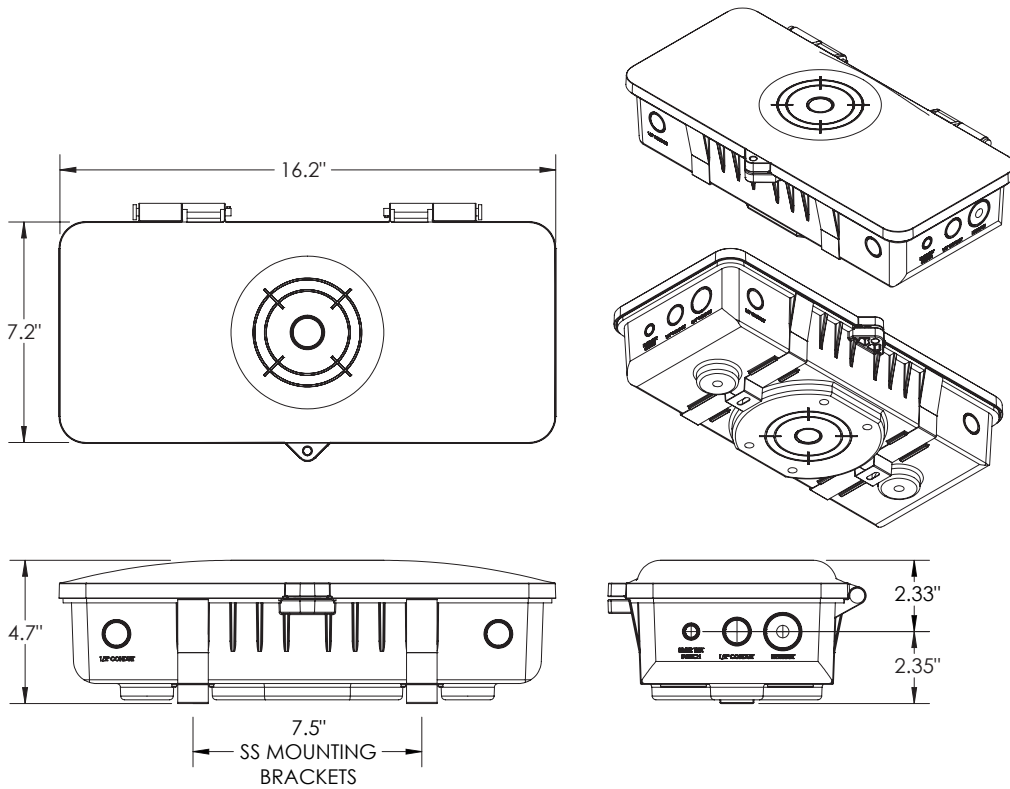
**Specification Sheet**

**BATTERY BACK-UPS**

**BBUR - BATTERY BACK-UP & LED DRIVER REMOTE (INDOOR), IP20, IK08, NEMA 1, 0°C to +48°C, 30' MAX Distance with 12AWG (w/UNV Option Only)**



**BBUX - BATTERY BACK-UP & LED DRIVER REMOTE (OUTDOOR), IP67, IK10, NEMA 4X, -20°C to +55°C, 30' MAX Distance with 12AWG (w/UNV Option Only)**



Due to continuous development and improvements, specifications are subject to change without notice. FC Lighting reserves the right to change lab test details or specifications without notice. Product use certifies agreement to FC terms and conditions.