



Date: \_\_\_\_\_  
 Type: \_\_\_\_\_  
 Luminaire: \_\_\_\_\_  
 Project: \_\_\_\_\_

Approved: \_\_\_\_\_

## FCSL1101



**FCSL1101** 10" exterior die-cast aluminum step light with heavy walled, die-cast open faceplate for masonry or drywall construction is enhanced with improved performance and ease of installation — optimized LED and driver pairing ensures long life featuring a universal back box, snap-fit installation, 316 Stainless Steel tamper-proof hardware and all the options expected from FC Lighting. Offered in 5 different faceplate options, Tri-Dim (0-10V 1%, TRIAC & ELV) dimming and flexible mounting in multiple substrates all backed by our 10-Year Limited Warranty.

### SPECIFICATIONS

#### PHYSICAL

<b>dimensions</b>	10" W x 3" H x 3.2" D
<b>weight</b>	3 lbs
<b>WC housing</b>	Marine grade, corrosion resistant, heavy-walled, high pressure, die-cast aluminum with snap-in IK09 (IEC 62262) impact-resistant Screw-less faceplate standard. Optional captive recessed stainless steel tamper resistant screws (TRS option). Back Box is high strength, heavy-walled polycarbonate with UV protection (UL 746C rated f1) and flame rated (UL94 5VA).
<b>WC lens</b>	Tempered Opal White Glass Lens, IK09 (IEC 62262) impact-resistant glass.
<b>WC mounting</b>	Concrete pour, masonry, solid composite, special construction, and drywall construction mounting kit included. Hanger bar mounting optional. Back box kit can ship in < 48 hours.
<b>WC ingress protection</b>	Optical, driver unit is IP66, IP67 and IP68 Rated (IEC 60529) dry, damp or wet locations. All seals are injection molded silicone.
<b>WC faceplate finish</b>	Available in Black, Bronze, Graphite Grey, Silver, White and Custom Colors. Die cast aluminum faceplate. Six stage chemical iron phosphate conversion pre-treatment. Polyester powder coat finish, 18 µm minimum thickness, 5,000 hour salt spray test (ASTM B117) compliant with Florida, AAMA 2604 specification.

#### PERFORMANCE

<b>color temperature</b>	2700K, 3000K, 3500K, 4000K, 5000K
<b>lumen output</b>	100 lm, 250 lm
<b>lumen maintenance</b>	L70 > 72,000 hours
<b>color consistency</b>	3 SDCM / 85 CRI
<b>forward throw @ 2 FT high</b>	0.1 fc @ 13 FT forward
<b>side throw @ 2 FT high</b>	0.1 fc @ 16 FT wide
<b>maximum candela</b>	92 CD
<b>operating temperature</b>	-4°F to 122°F (-20°C to 50°C)
<b>WC warranty</b>	10-Year Limited Warranty

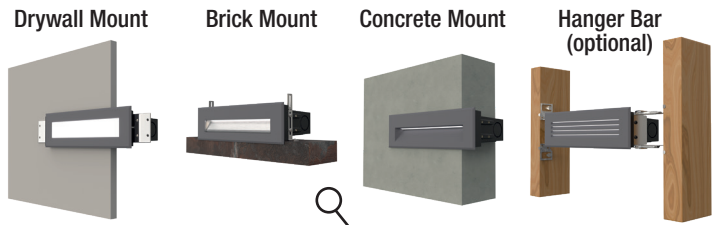
#### ELECTRICAL

<b>input voltage</b>	Universal 120 - 277 VAC
<b>power supply</b>	Integral, electronic high-power factor > 90%, THD of ≤ 20%
<b>certifications</b>	cETLus, IC Rated
<b>power consumption</b>	6W (100 lm), 12W (250 lm)
<b>WC dimming</b>	Tri-Dim (1%, 0-10V, 120 - 277 VAC), (1%, TRIAC & ELV, 120 VAC Only)

**WC** = World Class Features. See page 2 for details.

Due to continuous development and improvements, specifications are subject to change without notice. FC Lighting reserves the right to change lab test details or specifications without notice. Product use certifies agreement to FC Lighting terms and conditions.

Note: FCSL1140 model shown in cutaway.



### Aesthetic and Robust Fasteners:

Fastener free faceplate offered standard for optimal aesthetics, simply snap in luminaire during final installation for a sleek look unlike any other step light on the market. Ultra corrosion resistant, 316 Stainless Steel hardware comes standard on the exterior including tamper-proof screw option for high-traffic or vandal-prone areas.



### Zero Uplight Design:

Full cutoff optics ensure compliance with dark-sky and light pollution-sensitive applications (for selected models).



### Extreme Ingress Protection:

First in the industry for IP66, IP67 and IP68 Ratings in a singular product per (IEC 60529) standards. Ensuring ultimate protection in the most severe wet environments including washdowns.

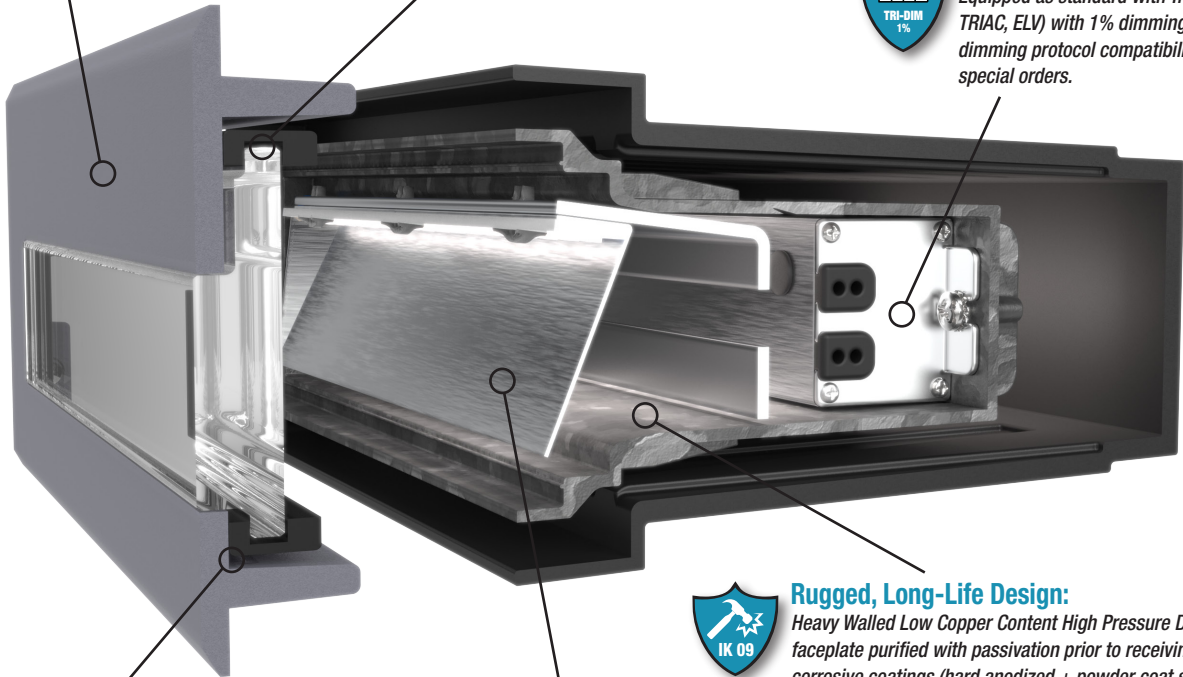
### Flexible Mounting Options:

Supports wall and mortar installations with backbox and faceplate configurations for fast, secure installs.



### Industry Leading Dimming (Standard):

Equipped as standard with Tri-Dim control (0-10V, TRIAC, ELV) with 1% dimming, providing flexible dimming protocol compatibility without the need for special orders.



### Fail-Safe Waterproofing System:

High-quality inert solid silicone gasketing, breather vents, anti-syphon cables, and waterproof wire nuts ensure complete protection against water ingress and corrosion, extending the life of the sealing system.



### Rugged, Long-Life Design:

Heavy Walled Low Copper Content High Pressure Die-cast housing and faceplate purified with passivation prior to receiving superior anti-corrosive coatings (hard anodized + powder coat six-stage, 5K hour salt spray to B117 and AAMA 2604 standards (AAMA 2605 optional). Enclosed with purely opaque inert silicone gasketing and an IK09 (IEC 62262) impact-resistant crystal clear low iron heavy gauge glass to ensure durability in even the most extreme environments.



### High-Efficacy Lighting Performance:

Precision German-engineered reflector materials maximize lumens-per-watt efficiency with advanced semi-specular diffusion, delivering multiple tunable output packages that provide up to twice the footcandle levels of competing products reducing luminaire quantities by half on most projects.



### Construction-Ready Backbox:

Industry leading heavy-walled polycarbonate back box delivers maximum impact resistance and UV protection (UL 746C F1), combined with the highest flame rating in the industry (UL 94 5VA) and a factory-standard ETL Certified wiring compartment per NEC for primary and thru-wiring, featuring a splatter guard to block debris during rough-in or concrete pours for contractor-ready installation with all mounting options provided in one easy to use kit. Back box kit can ship in < 48 hours upon receipt of order to fast track construction phase on-site prior to factory sealed step light luminaire giving the contractor the ability to finish projects quickly without risk for installer to ensure a seal to maintain wet location rating.

Due to continuous development and improvements, specifications are subject to change without notice. FC Lighting reserves the right to change lab test details or specifications without notice. Product use certifies agreement to FC Lighting terms and conditions.

US Commercial Lighting Manufacturer Since 1982

Specification Sheet



# Ordering Information

## ORDERING INFORMATION

FCSL1101	UNV		CRI85			TD	
MODEL	VOLTAGE	CCT	CRI	LUMENS <sup>1</sup>	FINISH	DIMMING	OPTIONS
<b>FCSL1101</b>	<b>UNV</b>	120 - 277 VAC	<b>27K</b> 2700K <b>3K</b> 3000K <b>35K</b> 3500K <b>4K</b> 4000K <b>5K</b> 5000K	<b>CRI85</b> 85 CRI	<b>1L</b> 100 lm (6W) <b>3L</b> 250 lm (12W)	<b>BKE</b> Black <b>BRE</b> Bronze <b>GRE</b> Graphite Grey <b>SLE</b> Silver <b>WHE</b> White <b>CCE</b> Custom Color	<b>TD</b> Standard Tri-Dim (1%, 0-10V, 120 - 277 VAC), (1%, TRIAC & ELV, 120 VAC Only) <b>TRS</b> Tamper Resistant Screws (Torx Pin) <b>HB*</b> Hanger Bar (Drywall Mounting) <b>LBB<sup>2</sup></b> Less Back Box (for shipment separate of Back Box)

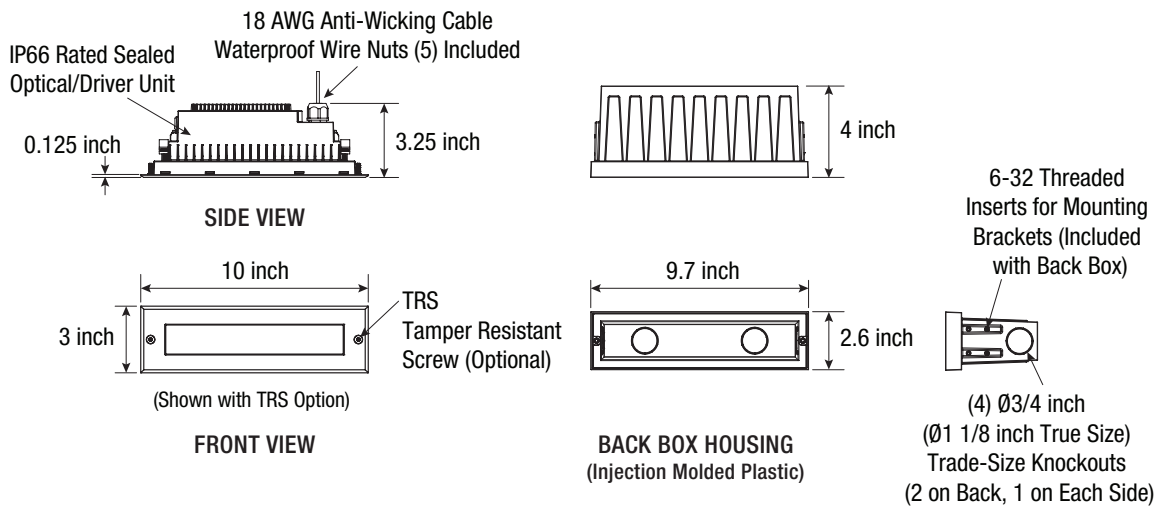
Footnote:  
<sup>1</sup> Typical 4K, CRI85  
<sup>2</sup> Luminaire must be mounted into FC Lighting supplied Back Box shipped with or separate of luminaire.  
 \* Cannot be ordered with LBB option. To purchase with separate backbox (shipped in advance of luminaire), please purchase HSL1100-02-KIT-HB instead.

## BACK BOX KITS

- HSL1100-02-KIT** Back Box Kit - Complete Back Box shipped with mounting kit, shipped in advance of luminaire.
- HSL1100-02-KIT-HB** Back Box Kit w/ Hanger Bar - Includes (HSL1100-02-KIT) Complete Back Box shipped with mounting kit and Hanger Bar (HB), shipped in advance of luminaire.

## PRODUCT DIMENSIONS

PRODUCT DIMENSIONS		MOUNTING	
<b>width</b>	10" W	<b>back box width</b>	9.7" W
<b>height</b>	3" H	<b>back box height</b>	2.6" H
<b>depth</b>	3.25" D	<b>back box depth</b>	4" D



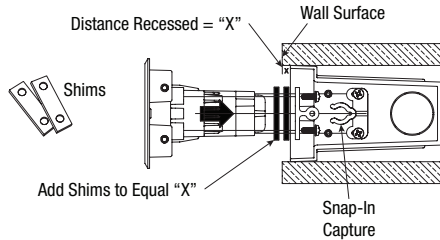
Due to continuous development and improvements, specifications are subject to change without notice. FC Lighting reserves the right to change lab test details or specifications without notice. Product use certifies agreement to FC Lighting terms and conditions.



# Back Box Assemblies and Options

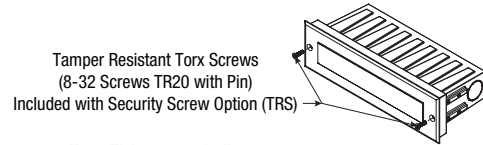
## SHIMS - (8 each) Included with Luminaire

Shims provided to compensate for Back Box misalignment



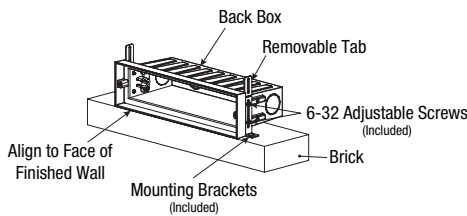
## OPTIONAL — Tamper Resistant Screws (TRS)

Torx screws with pin, finished to compliment faceplate finish

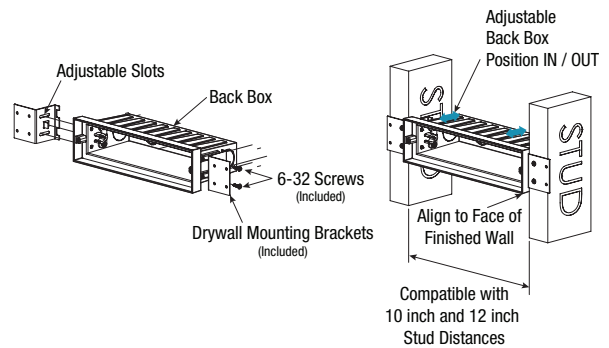


**Note:** Tighten to 18 in-lbs

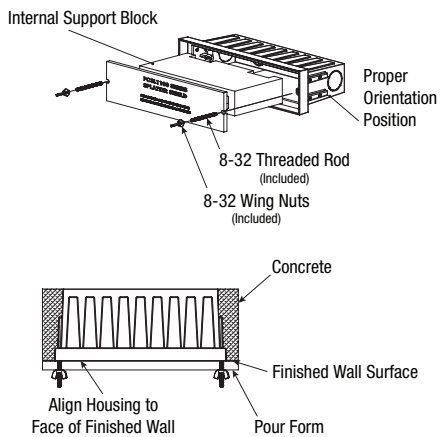
## MASONRY BRACKETS — Included with Black Box Kit



## DRYWALL BRACKETS — Included with Black Box Kit

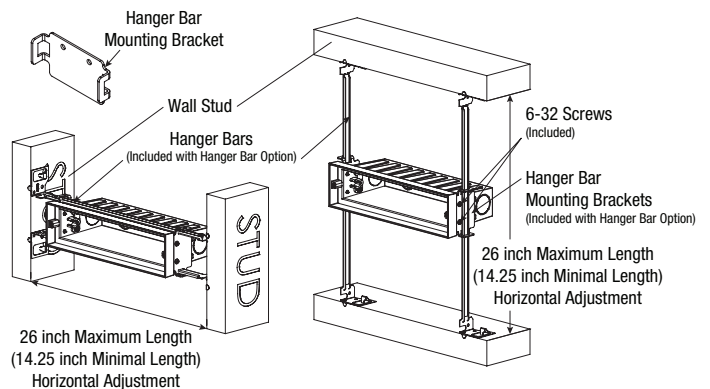


## CONCRETE POUR SETUP — Included with Black Box Kit



**IMPORTANT:** Fresh concrete corrodes aluminum with subsequent release of hydrogen. Concrete must be fully cured prior to installation of steplight to prevent any damage.

## OPTIONAL — Hanger Bars (HB)



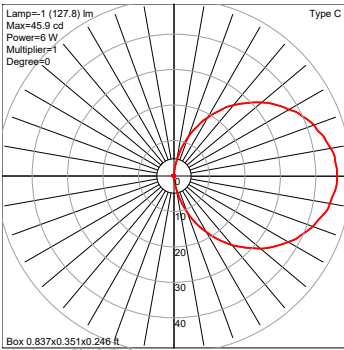
Due to continuous development and improvements, specifications are subject to change without notice. FC Lighting reserves the right to change lab test details or specifications without notice. Product use certifies agreement to FC Lighting terms and conditions.



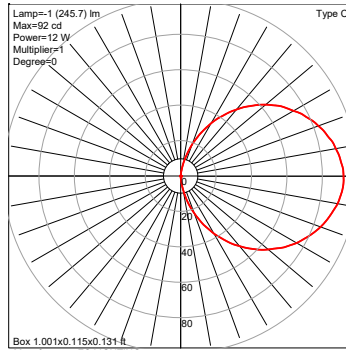
# Photometry

## OPTICAL DISTRIBUTION

<b>lumen output</b>	100 lm	250 lm
<b>power consumption</b>	6W	12W



Manufacturer: FC LIGHTING  
Luminaire catalog: FCSL1101  
Luminaire: FCSL1101-UNV-4K-CRI85-1L-WHE-TD



Manufacturer: FC LIGHTING  
Luminaire catalog: FCSL1101  
Luminaire: FCSL1101-UNV-4K-CRI85-3L-WHE-TD

IES MULTIPLIER	
CCT (CRI85)	Multiplier
2700	0.91
3000	0.94
3500	0.96
4000	1.00
5000	1.00

Due to continuous development and improvements, specifications are subject to change without notice. FC Lighting reserves the right to change lab test details or specifications without notice. Product use certifies agreement to FC Lighting terms and conditions.