

Date:	Approved:
Type:	
Luminaire:	
Project:	

FCSL1141



FCSL1141 10" exterior die-cast aluminum step light with heavy-walled, die-cast faceplate, for masonry or drywall construction. IP66 rated for damp, dry or wet locations.

SPECIFICATIONS

PHYSICAL

dimensions	10" W x 3" H x 3.2" D
weight	3 lbs
housing	Marine grade, corrosion resistant, heavy-walled, high pressure, die-cast aluminum with snap-in Screwless faceplate standard. Optional captive recessed stainless steel tamper resistant screws (TRS option). Back Box is high strength, black Polycarbonate with UV protection (UL 746C rated f1) and flame rated (UL94 5VA).
lens	Frosted Glass Lens
mounting	Concrete pour, masonry, solid composite, special construction, and drywall construction mounting kit included. Hanger bar mounting optional.
ingress protection	Optical, driver unit is IP66 rated dry, damp or wet locations. All seals are injection molded silicone.
faceplate finish	Available in Black, Bronze, Graphite Grey, Silver, White and Custom Colors. Die cast aluminum faceplate. Six stage chemical iron phosphate conversion pre-treatment. Polyester powder coat finish, 18 µm minimum thickness, 3,000 hour salt spray test (ASTM B117) compliant with Florida, AAMA 2604 specification.

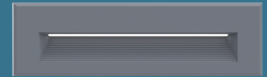
PERFORMANCE

color temperature	2700K, 3000K, 3500K, 4000K, 5000K
lumen output	400 lm, 800 lm
lumen maintenance	L70 > 72,000 hours
color consistency	3 SDCM / 85 CRI
forward throw @ 2 FT high	0.1 fc @ 8 FT forward
side throw @ 2 FT high	0.1 fc @ 16 FT wide
maximum candela	593 CD
BUG rating	B0-U0-G0
operating temperature	-4°F to 122°F (-20°C to 50°C)
warranty	5-Year limited warranty

ELECTRICAL

input voltage	Universal 120 - 277 VAC
power supply	Integral, electronic high-power factor > 90%, THD of ≤ 20%
certifications	cETLus
power consumption	7W (400 lm), 13W (800 lm)
dimming	Tri-Dim (1%, 0-10V, 120 - 277 VAC), (1%, TRIAC & ELV, 120 VAC Only)

Due to continuous development and improvements, specifications are subject to change without notice. FC Lighting reserves the right to change lab test details or specifications without notice. Product use certifies agreement to FC Lighting terms and conditions.



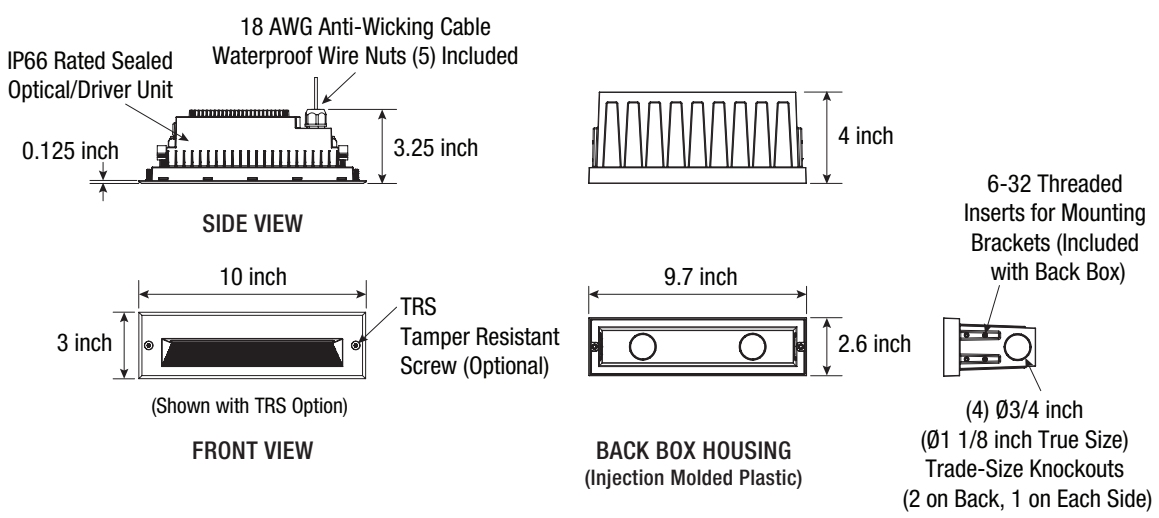
Ordering Information

ORDERING INFORMATION																
FCSL1141	UNV		CRI85		TD											
MODEL	VOLTAGE	CCT	CRI	LUMENS ¹	FINISH	DIMMING	OPTIONS									
FCSL1141	UNV	120 - 277 VAC	27K	2700K	CRI85	85 CRI	4L	400 lm (7W)	BKE	Black	TD	Standard Tri-Dim (1% 0-10V, 120 - 277 VAC), (1% TRIAC & ELV, 120 VAC Only)	TRS	Tamper Resistant Screws (Torx Pin)		
			3K	3000K					8L	800 lm (13W)			BRE	Bronze	HB*	Hanger Bar (Drywall Mounting)
			35K	3500K									GRE	Graphite Grey		
			4K	4000K									SLE	Silver		
			5K	5000K									WHE	White		LBB ²
								CCE	Custom Color							

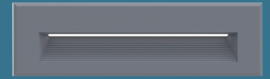
Footnote:
¹ Typical 4K, CRI85
² Luminaire must be mounted into FC Lighting supplied Back Box shipped with or separate of luminaire.
 * Cannot be ordered with LBB option. To purchase with separate backbox (shipped in advance of luminaire), please purchase HSL1100-02-KIT-HB instead.

BACK BOX KITS	
HSL1100-02-KIT	Back Box Kit - Complete Back Box shipped with mounting kit, shipped in advance of luminaire.
HSL1100-02-KIT-HB	Back Box Kit w/ Hanger Bar - Includes (HSL1100-02-KIT) Complete Back Box shipped with mounting kit and Hanger Bar (HB), shipped in advance of luminaire.

PRODUCT DIMENSIONS		MOUNTING	
width	10" W	back box width	9.7" W
height	3" H	back box height	2.6" H
depth	3.25" D	back box depth	4" D



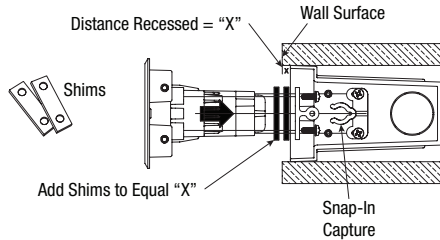
Due to continuous development and improvements, specifications are subject to change without notice. FC Lighting reserves the right to change lab test details or specifications without notice. Product use certifies agreement to FC Lighting terms and conditions.



Back Box Assemblies and Options

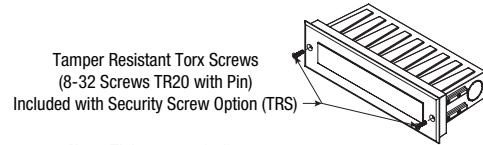
SHIMS - (8 each) Included with Luminaire

Shims provided to compensate for Back Box misalignment



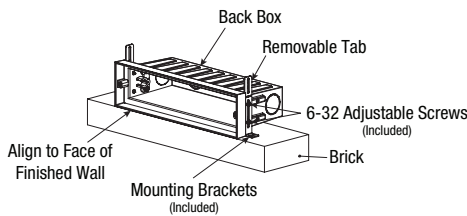
OPTIONAL — Tamper Resistant Screws (TRS)

Torx screws with pin, finished to compliment faceplate finish

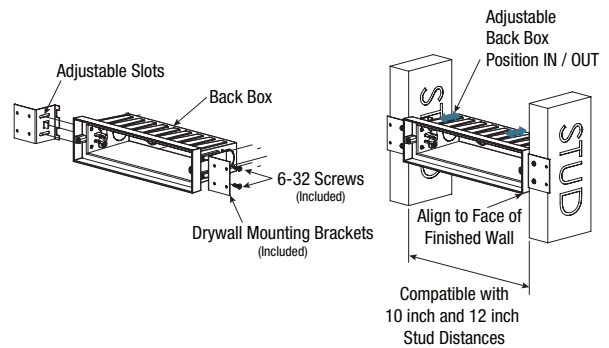


Note: Tighten to 18 in-lbs

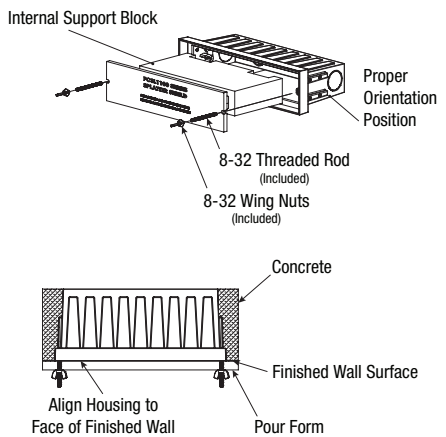
MASONRY BRACKETS — Included with Black Box Kit



DRYWALL BRACKETS — Included with Black Box Kit

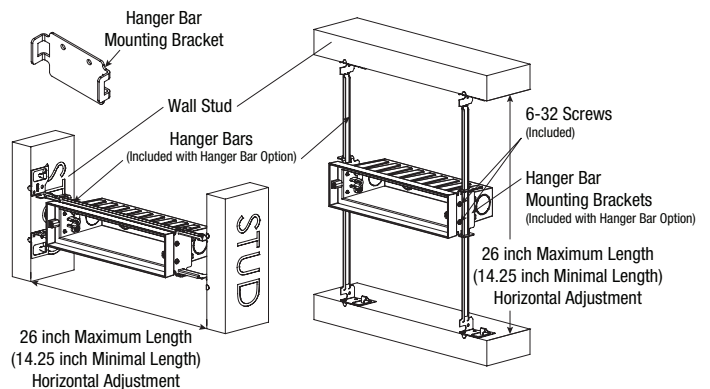


CONCRETE POUR SETUP — Included with Black Box Kit

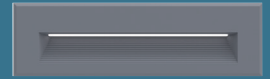


IMPORTANT: Fresh concrete corrodes aluminum with subsequent release of hydrogen. Concrete must be fully cured prior to installation of steplight to prevent any damage.

OPTIONAL — Hanger Bars (HB)



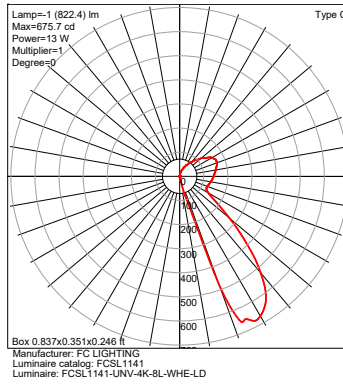
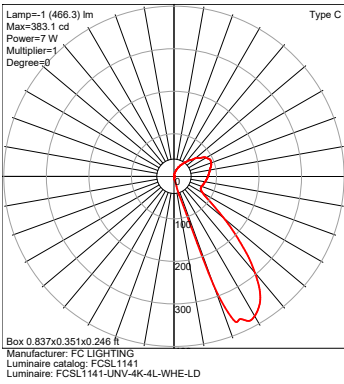
Due to continuous development and improvements, specifications are subject to change without notice. FC Lighting reserves the right to change lab test details or specifications without notice. Product use certifies agreement to FC Lighting terms and conditions.



Photometry

OPTICAL DISTRIBUTION

lumen output	400 lm	800 lm
power consumption	7W	13W



IES MULTIPLIER	
CCT (CRI85)	Multiplier
2700	0.91
3000	0.94
3500	0.96
4000	1.00
5000	1.00

Due to continuous development and improvements, specifications are subject to change without notice. FC Lighting reserves the right to change lab test details or specifications without notice. Product use certifies agreement to FC Lighting terms and conditions.