

**Date:** \_\_\_\_\_

**Type:** \_\_\_\_\_

**Luminaire:** \_\_\_\_\_

**Project:** \_\_\_\_\_

**Approved:**

## FCSL2001



**FCSL2001** 13" exterior die-cast aluminum step light with heavy walled die-cast open faceplate, for masonry or drywall construction. IP68 rated for damp, dry or wet locations.



### SPECIFICATIONS

#### PHYSICAL

<b>dimensions</b>	13" W x 4.5" H x 3.9" D
<b>weight</b>	5 lbs
<b>housing</b>	Marine grade, corrosion resistant, heavy walled, high pressure, die-cast aluminum with snap-in Screwless faceplate standard. Optional captive recessed stainless steel tamper resistant screws (TRS option). Back Box is high strength, black Polycarbonate with UV protection (UL 746C rated f1) and flame rated (UL94 5VA).
<b>lens</b>	White glass lens
<b>mounting</b>	Concrete pour, masonry, solid composite, special construction, and drywall construction mounting kit included. Hanger bar mounting optional.
<b>ingress protection</b>	Optical / driver unit is IP68 rated dry, damp or wet locations. All seals are injection molded silicone.
<b>faceplate finish</b>	Available in Black, Bronze, Graphite Grey, Silver, White and Custom Colors. Die cast aluminum faceplate. Six stage chemical iron phosphate conversion pre-treatment. Polyester powder coat finish, 18 µm minimum thickness, 5,000 hour salt spray test (ASTM B117) compliant with Florida, AAMA 2604 specification.

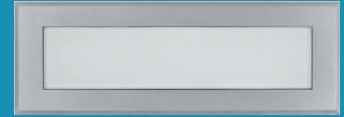
#### PERFORMANCE

<b>color</b>	2700K, 3000K, 3500K, 4000K, 5000K, Amber, Red, Blue
<b>lumen maintenance</b>	L70 > 70,000 hours
<b>color consistency</b>	3 SDCM, 85 CRI (White Light)
<b>operating temperature</b>	-13°F to 104°F (-30°C to 40°C)
<b>warranty</b>	5-Year limited warranty

#### ELECTRICAL

<b>input voltage</b>	Universal 120 - 277 VAC
<b>power supply</b>	Integral, electronic high-power factor > 94% @ 120V, THD of ≤ 20%
<b>standards</b>	cETLus, IC Rated
<b>power consumption</b>	15W (857 lm), 7W (428 lm)
<b>dimming</b>	optional: TRIAC dimming (120V only), 0-10V dimming (1% minimum)

Due to continuous development and improvements, specifications are subject to change without notice. FC Lighting reserves the right to change lab test details or specifications without notice. Product use certifies agreement to FC Lighting terms and conditions.



# Ordering Information

## PART NUMBER

FCSL2001												
MODEL	VOLTAGE		CCT		CRI	LUMENS		FINISH		OPTIONS		
FCSL2001	UNV	120 - 277 VAC	<b>White Light</b>		CRI85 <sup>2</sup>	85 CRI	4L <sup>2</sup>	428 lm (7W)	<b>BKE</b>	Black	<b>LD</b> <sup>2</sup>	0-10V Dimming - 1% minimum
		120V <sup>1</sup>	120 VAC	<b>27K</b>			2700K	<b>AMB</b>	Amber >560nm (14W)	<b>9L</b> <sup>2</sup>	857 lm (15W)	<b>BRE</b>
			<b>3K</b>	3000K	<b>RED</b>	Red (14W)			<b>GRE</b>	Graphite Grey	<b>TRS</b>	Tamper Resistant Screws (Torx Pin)
			<b>35K</b>	3500K	<b>BLU</b>	Blue (14W)			<b>SLE</b>	Silver	<b>HB*</b>	Hanger Bar (Drywall Mounting)
			<b>4K</b>	4000K					<b>WHE</b>	White	<b>LBB</b> <sup>3</sup>	Less Back Box - for shipment separate of Back Box
		<b>5K</b>	5000K					<b>CCE</b>	Custom Color			

Footnote:

<sup>1</sup> For ET option.

<sup>2</sup> For White Light. Does not apply to Mono Color.

<sup>3</sup> Luminaire must be mounted into FC Lighting supplied Back Box shipped with or separate of luminaire.

\* Cannot be ordered with LBB option. To purchase with separate backbox (shipped in advance of luminaire), please purchase A2000-BB-ETL-HB instead.

## BACK BOX KITS

**A2000-BB-ETL** Back Box Kit - Complete Back Box shipped with mounting kit, shipped in advance of luminaire.

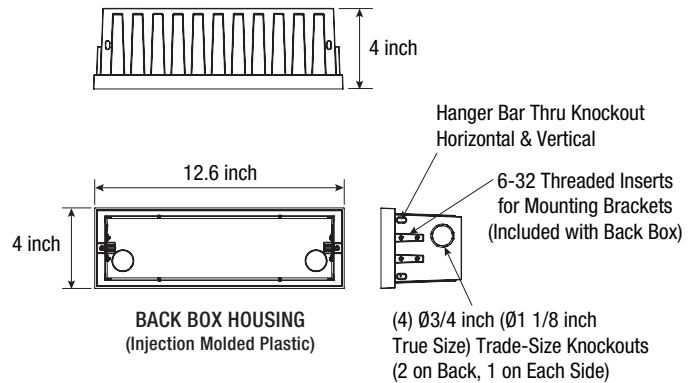
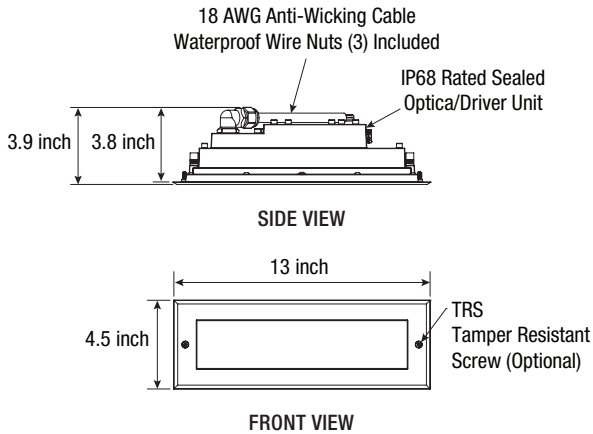
**A2000-BB-ETL-HB** Back Box Kit w/ Hanger Bar - Includes (#A2000-BB-ETL) Complete Back Box shipped with mounting kit and Hanger Bar (**HB**), shipped in advance of luminaire.

## PRODUCT DIMENSIONS

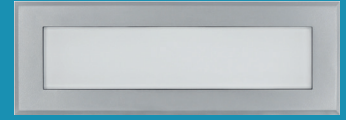
<b>width</b>	13" W
<b>height</b>	4.5" H
<b>depth</b>	3.9" D

## MOUNTING

<b>back box width</b>	12.6" W
<b>back box height</b>	4" H
<b>back box depth</b>	4" D



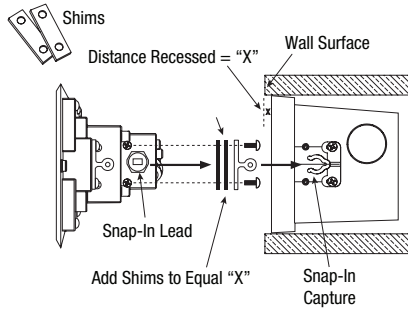
Due to continuous development and improvements, specifications are subject to change without notice. FC Lighting reserves the right to change lab test details or specifications without notice. Product use certifies agreement to FC Lighting terms and conditions.



# Back Box Assemblies and Options

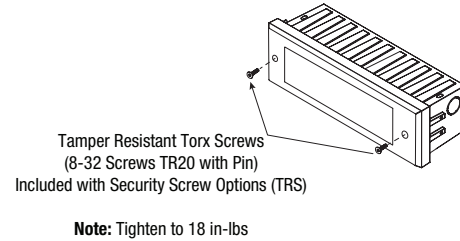
## SHIMS - (8 each) Included with Luminaire

Shims provided to compensate for Back Box misalignment

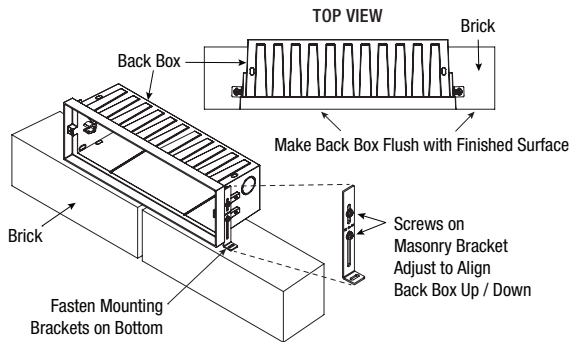


## OPTIONAL — Tamper Resistant Screws (TRS)

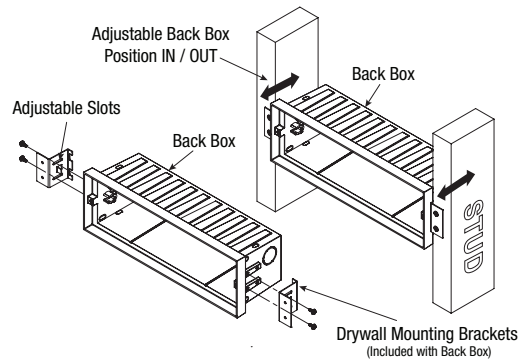
Torx screws with pin, finished to compliment faceplate finish



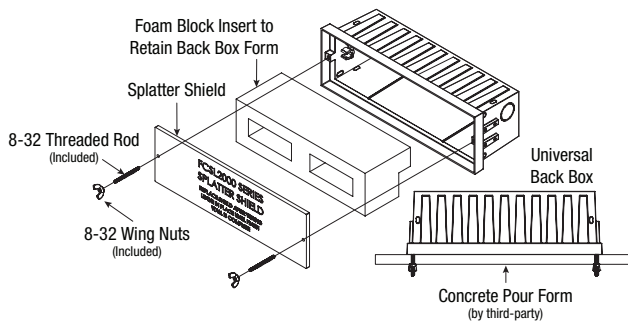
## MASONRY BRACKETS — Included with Black Box Kit



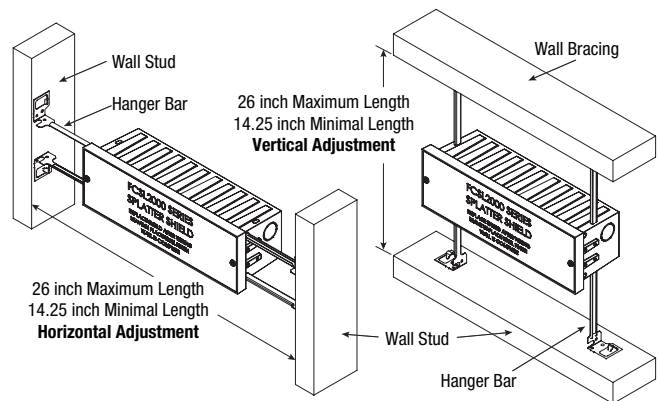
## DRYWALL BRACKETS — Included with Black Box Kit



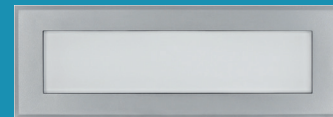
## CONCRETE POUR SETUP — Included with Black Box Kit



## OPTIONAL — Hanger Bars (HB)



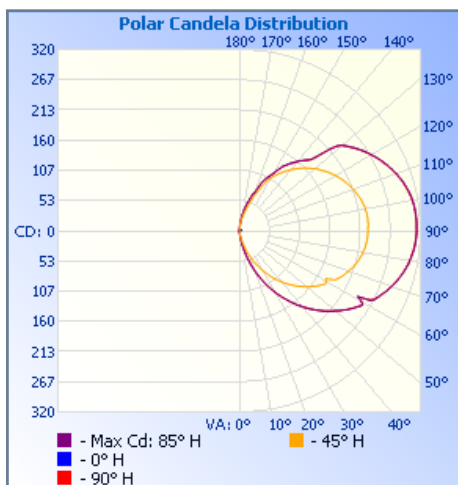
Due to continuous development and improvements, specifications are subject to change without notice. FC Lighting reserves the right to change lab test details or specifications without notice. Product use certifies agreement to FC Lighting terms and conditions.



# Photometry

## OPTICAL DISTRIBUTION

<b>lumen output</b>	857 lm	428 lm
<b>power consumption</b>	15W	7W



IES MULTIPLIER	
CCT (CRI85)	Multiplier
2700	0.91
3000	0.94
3500	0.96
4000	1.00
5000	1.00

iti illuminations testing laboratory: Report #3703

Due to continuous development and improvements, specifications are subject to change without notice. FC Lighting reserves the right to change lab test details or specifications without notice. Product use certifies agreement to FC Lighting terms and conditions.