

Date: _____

Type: _____

Luminaire: _____

Project: _____

Approved:

FCSL2001



FCSL2001 13" exterior die-cast aluminum step light with heavy walled die-cast open faceplate, for masonry or drywall construction. IP68 rated for damp, dry or wet locations.

SPECIFICATIONS

PHYSICAL

dimensions	13" W x 4.5" H x 3.9" D
weight	5 lbs
housing	Marine grade, corrosion resistant, heavy walled, high pressure, die-cast aluminum with snap-in Screwless faceplate standard. Optional captive recessed stainless steel tamper resistant screws (TRS option). Back Box is high strength, black Polycarbonate with UV protection (UL 746C rated f1) and flame rated (UL94 5VA).
lens	White glass lens
mounting	Concrete pour, masonry, solid composite, special construction, and drywall construction mounting kit included. Hanger bar mounting optional.
ingress protection	Optical / driver unit is IP68 rated dry, damp or wet locations. All seals are injection molded silicone.
faceplate finish	Die cast aluminum faceplate. Six stage chemical iron phosphate conversion pre-treatment. Polyester powder coat finish, 18 µm minimum thickness, 5,000 hour salt spray test (ASTM B117) compliant with Florida, AAMA 2604 specification.

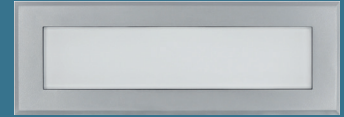
PERFORMANCE

color	2700K, 3000K, 3500K, 4000K, 5000K, Amber, Red, Blue
lifetime	L70 > 70,000 hours
color consistency	3 SDCM, 85 CRI (White Light)
operating temperature	-13°F to 104°F (-30°C to 40°C)
warranty	5-Year limited warranty

ELECTRICAL

input voltage	Universal 120 - 277 VAC
power supply	Integral, electronic high-power factor > 94% @ 120V, THD of ≤ 20%
standards	cETLus
power consumption	15W (857 lm), 7W (428 lm)
dimming	optional: TRIAC dimming (120V only), 0-10V dimming (1% minimum)

Due to continuous development and improvements, specifications are subject to change without notice. FC Lighting reserves the right to change lab test details or specifications without notice. Product use certifies agreement to FC Lighting terms and conditions.



Ordering Information

PART NUMBER

FCSL2001											
MODEL	VOLTAGE		CCT		CRI		LUMENS		FINISH		OPTIONS
FCSL2001	UNV	120 - 277 VAC	White Light		Mono Color		CRI85 ²	85 CRI	4L ² 428 lm (7W)	BKE Black	LD ² 0-10V Dimming - 1% minimum
		120V ¹ 120 VAC	27K 2700K	AMB Amber >560nm (14W)	9L ² 857 lm (15W)	BRE Bronze		ET TRIAC Dimming (120V only)			
		3K 3000K	RED Red (14W)		GRE Graphite Grey	TRS Tamper Resistant Screws (Torx Pin)					
		35K 3500K	BLU Blue (14W)		SLE Silver	HB* Hanger Bar (Drywall Mounting)					
		4K 4000K			WHE White	LBB ³ Less Back Box - for shipment separate of Back Box					
		5K 5000K			CCE Custom Color						

Footnote:

¹ For ET option.

² For White Light. Does not apply to Mono Color.

³ Luminaire must be mounted into FC Lighting supplied Back Box shipped with or separate of luminaire.

* Cannot be ordered with LBB option. To purchase with separate backbox (shipped in advance of luminaire), please purchase A2000-BB-ETL-HB instead.

BACK BOX KITS

A2000-BB-ETL Back Box Kit - Complete Back Box shipped with mounting kit, shipped in advance of luminaire.

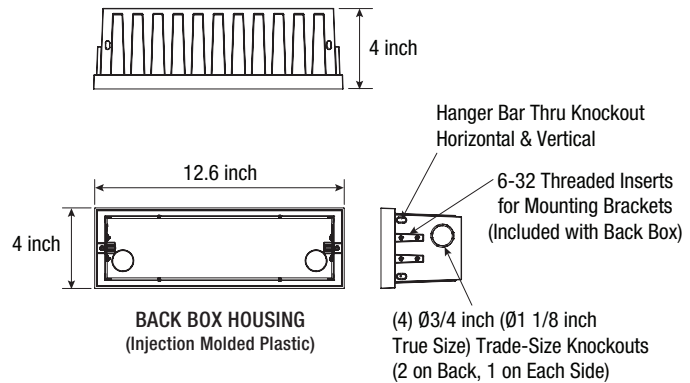
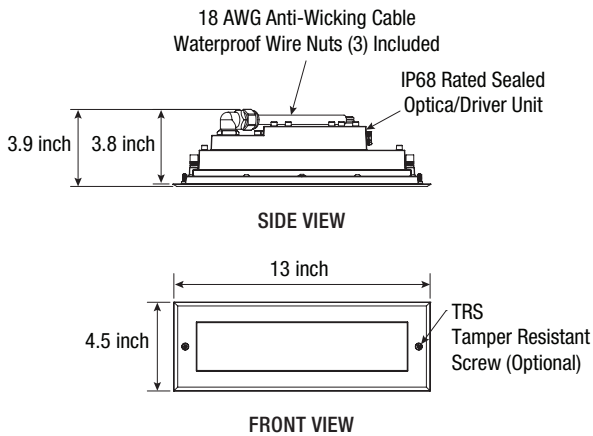
A2000-BB-ETL-HB Back Box Kit w/ Hanger Bar - Includes (#A2000-BB-ETL) Complete Back Box shipped with mounting kit and Hanger Bar (**HB**), shipped in advance of luminaire.

PRODUCT DIMENSIONS

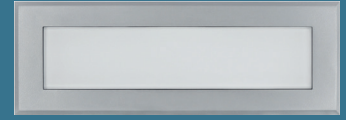
width	13" W
height	4.5" H
depth	3.9" D

MOUNTING

back box width	12.6" W
back box height	4" H
back box depth	4" D



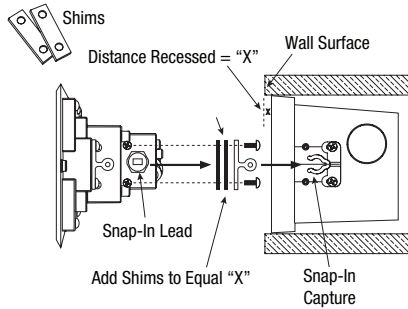
Due to continuous development and improvements, specifications are subject to change without notice. FC Lighting reserves the right to change lab test details or specifications without notice. Product use certifies agreement to FC Lighting terms and conditions.



Back Box Assemblies and Options

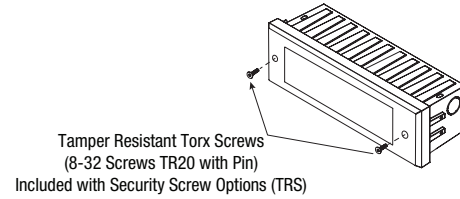
SHIMS - (8 each) Included with Luminaire

Shims provided to compensate for Back Box misalignment



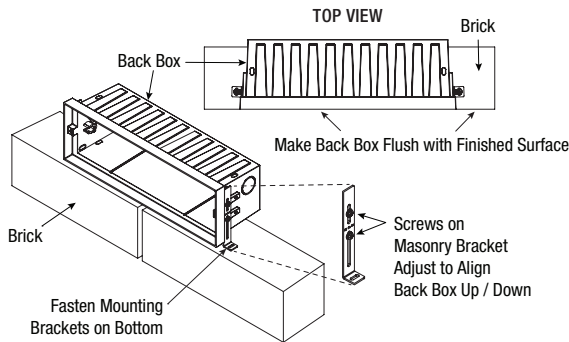
OPTIONAL — Tamper Resistant Screws (TRS)

Torx screws with pin, finished to compliment faceplate finish

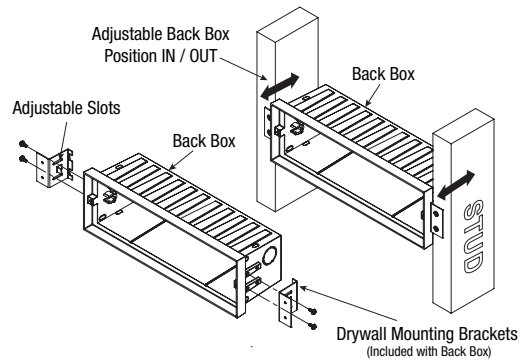


Note: Tighten to 18 in-lbs

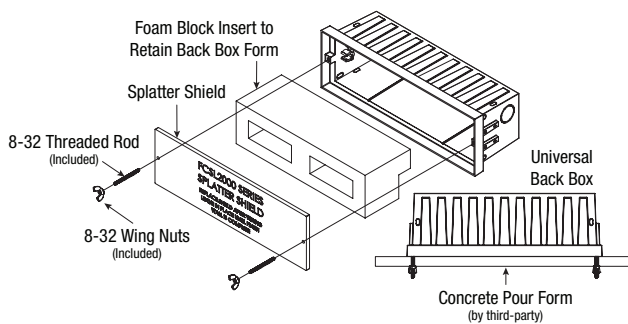
MASONRY BRACKETS — Included with Black Box Kit



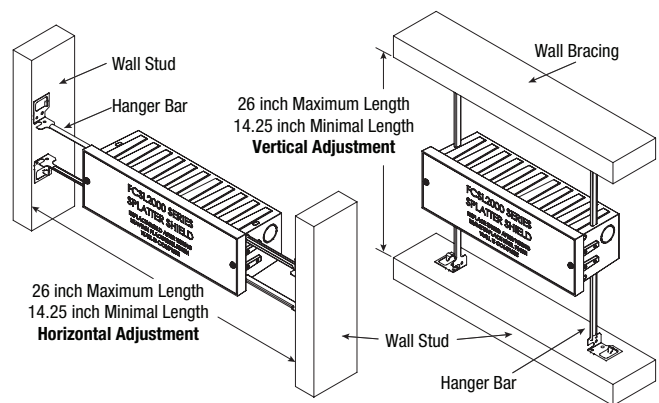
DRYWALL BRACKETS — Included with Black Box Kit



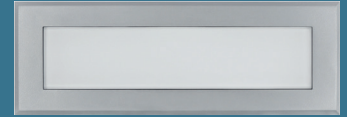
CONCRETE POUR SETUP — Included with Black Box Kit



OPTIONAL — Hanger Bars (HB)



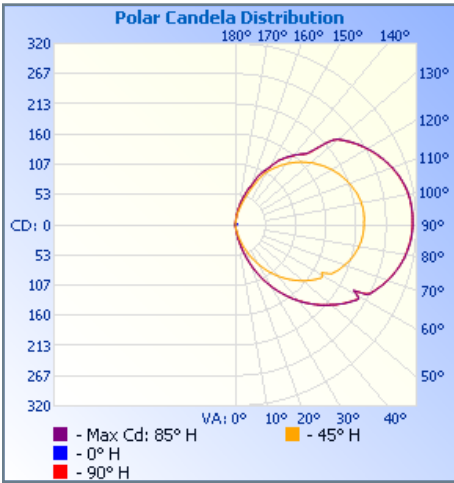
Due to continuous development and improvements, specifications are subject to change without notice. FC Lighting reserves the right to change lab test details or specifications without notice. Product use certifies agreement to FC Lighting terms and conditions.



Photometry

OPTICAL DISTRIBUTION

lumen output	857 lm	428 lm
power consumption	15W	7W



iti illuminations testing laboratory : Report #3703

Due to continuous development and improvements, specifications are subject to change without notice. FC Lighting reserves the right to change lab test details or specifications without notice. Product use certifies agreement to FC Lighting terms and conditions.