

Date: _____

Type: _____

Luminaire: _____

Project: _____

Approved:

FCSL2008



FCSL2008 13" exterior mid-size step light with 316 stainless steel open faceplate, for masonry or drywall construction. IP68 rated for damp, dry or wet locations.



SPECIFICATIONS

PHYSICAL

dimensions	13" W x 4.5" H x 3.9" D
weight	5 lbs
housing	Marine grade, corrosion resistant, heavy walled, high pressure die-cast housing with grade 316 stainless steel faceplate construction including snap-in Screwless faceplate standard. Optional captive recessed stainless steel tamper resistant screws (TRS option). Back Box is high strength, black Polycarbonate with UV protection (UL 746C rated f1) and flame rated (UL94 5VA).
lens	White glass lens
mounting	Concrete pour, masonry, solid composite, special construction, and drywall construction mounting kit included. Hanger bar mounting optional.
ingress protection	Optical / driver unit is IP68 rated dry, damp or wet locations. All seals are injection molded silicone.
faceplate finish	Die cast aluminum faceplate. Six stage chemical iron phosphate conversion pre-treatment. Polyester powder coat finish, 18 µm minimum thickness, 5,000 hour salt spray test (ASTM B117) compliant with Florida, AAMA 2604 specification.

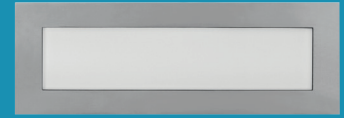
PERFORMANCE

color	2700K, 3000K, 3500K, 4000K, 5000K, Amber, Red, Blue
lumen maintenance	L70 > 70,000 hours
color consistency	3 SDCM, 85 CRI (White Light)
operating temperature	-13°F to 104°F (-30°C to 40°C)
warranty	5-Year limited warranty

ELECTRICAL

input voltage	Universal 120 - 277 VAC
power supply	Integral, electronic high-power factor > 94% @ 120V, THD of ≤ 20%
standards	cETLus, IC Rated
power consumption	15W (857 lm), 7W (428 lm)
dimming	standard: 0-10V dimming (10% minimum), optional: TRIAC dimming (120V only), 0-10V dimming (1% minimum)

Due to continuous development and improvements, specifications are subject to change without notice. FC Lighting reserves the right to change lab test details or specifications without notice. Product use certifies agreement to FC Lighting terms and conditions.



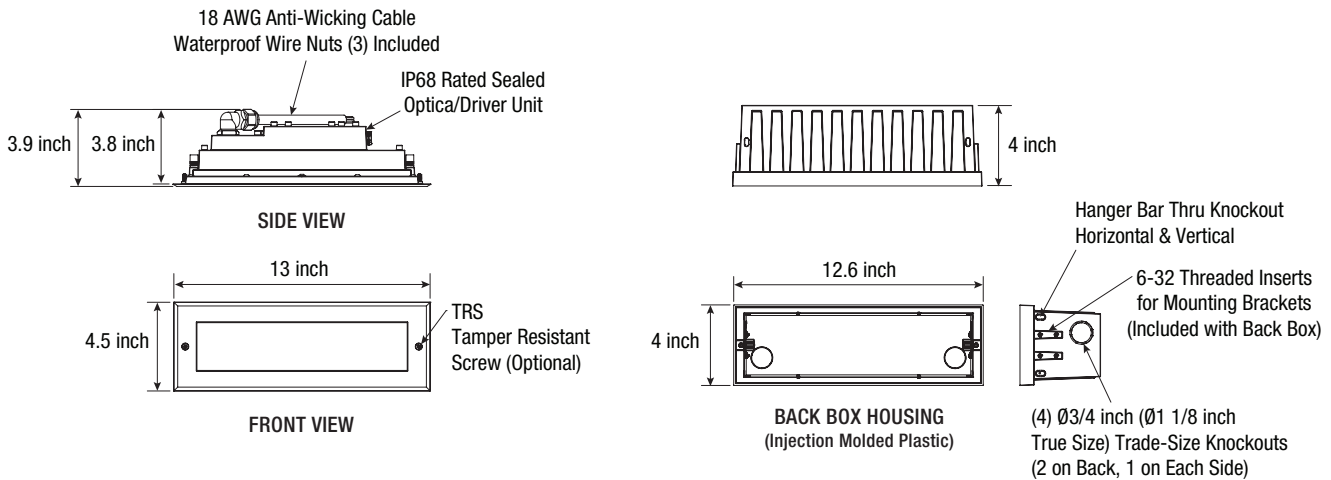
Ordering Information

PART NUMBER													
FCSL2008								SS					
MODEL	VOLTAGE		CCT		CRI	LUMENS		FINISH	OPTIONS				
FCSL2008	UNV	120 - 277 VAC		White Light		CRI85 ²	85 CRI	4L ²	428 lm (7W)	SS Stainless Steel	LD ²	0-10V Dimming - 1% minimum	
	120V ¹	120 VAC		27K	2700K		AMB	Amber >560nm (14W)	9L ²		857 lm (15W)	ET	TRIAC Dimming (120V only)
				3K	3000K		RED	Red (14W)				TRS	Tamper Resistant Screws (Torx Pin)
				35K	3500K		BLU	Blue (14W)				HB*	Hanger Bar (Drywall Mounting)
				4K	4000K							LBB ³	Less Back Box - for shipment separate of Back Box
			5K	5000K									

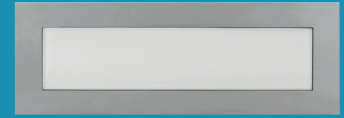
Footnote:
¹ For ET option.
² For White Light. Does not apply to Mono Color.
³ Luminaire must be mounted into FC Lighting supplied Back Box shipped with or separate of luminaire.
 * Cannot be ordered with LBB option. To purchase with separate backbox (shipped in advance of luminaire), please purchase A2000-BB-ETL-HB instead.

BACK BOX KITS	
A2000-BB-ETL	Back Box Kit - Complete Back Box shipped with mounting kit, shipped in advance of luminaire.
A2000-BB-ETL-HB	Back Box Kit w/ Hanger Bar - Includes (#A2000-BB-ETL) Complete Back Box shipped with mounting kit and Hanger Bar (HB), shipped in advance of luminaire.

PRODUCT DIMENSIONS		MOUNTING	
width	13" W	back box width	12.6" W
height	4.5" H	back box height	4" H
depth	3.9" D	back box depth	4" D



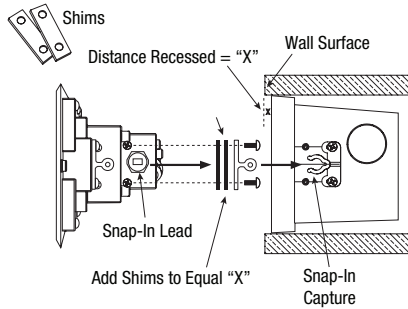
Due to continuous development and improvements, specifications are subject to change without notice. FC Lighting reserves the right to change lab test details or specifications without notice. Product use certifies agreement to FC Lighting terms and conditions.



Back Box Assemblies and Options

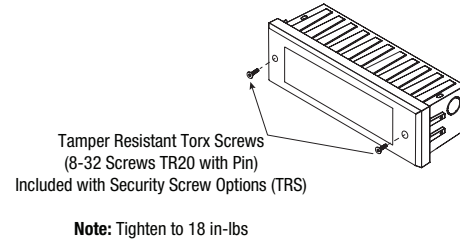
SHIMS - (8 each) Included with Luminaire

Shims provided to compensate for Back Box misalignment

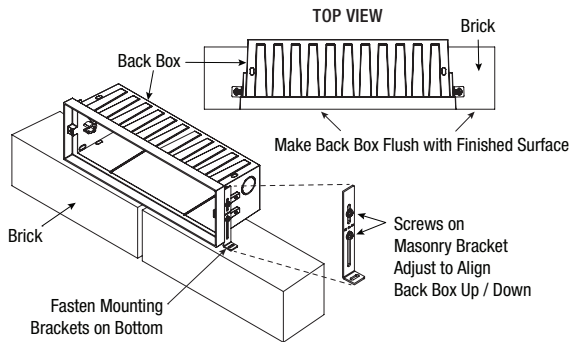


OPTIONAL — Tamper Resistant Screws (TRS)

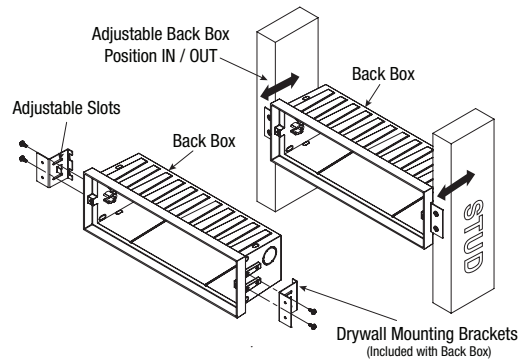
Torx screws with pin, finished to compliment faceplate finish



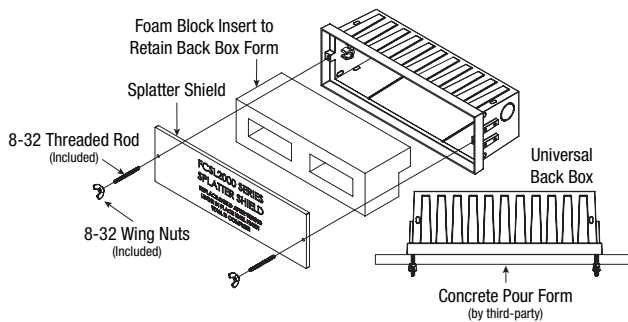
MASONRY BRACKETS — Included with Black Box Kit



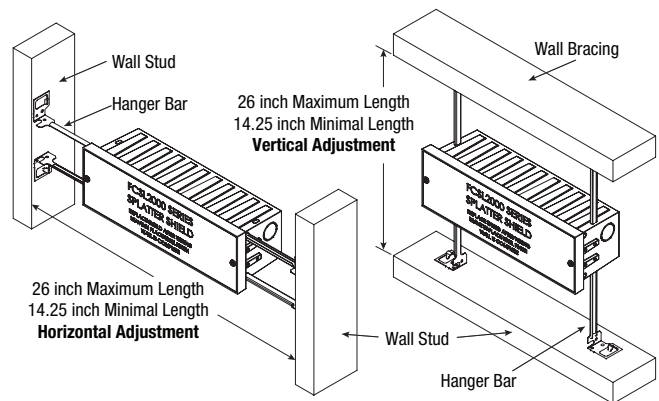
DRYWALL BRACKETS — Included with Black Box Kit



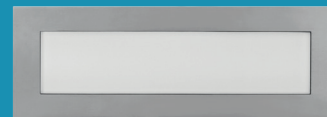
CONCRETE POUR SETUP — Included with Black Box Kit



OPTIONAL — Hanger Bars (HB)



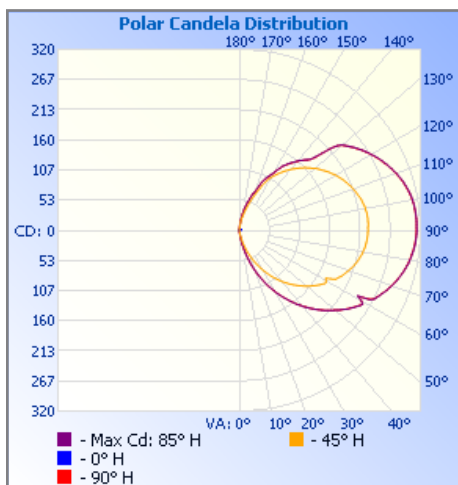
Due to continuous development and improvements, specifications are subject to change without notice. FC Lighting reserves the right to change lab test details or specifications without notice. Product use certifies agreement to FC Lighting terms and conditions.



Photometry

OPTICAL DISTRIBUTION

lumen output	857 lm	428 lm
power consumption	15W	7W



IES MULTIPLIER	
CCT (CRI85)	Multiplier
2700	0.91
3000	0.94
3500	0.96
4000	1.00
5000	1.00

itl illuminations testing laboratory : Report #5088

Due to continuous development and improvements, specifications are subject to change without notice. FC Lighting reserves the right to change lab test details or specifications without notice. Product use certifies agreement to FC Lighting terms and conditions.