

Date:	Approved:
Type:	
Luminaire:	
Project:	

FCSL2040



FCSL2040 13" exterior die-cast aluminum step light with heavy walled die-cast faceplate, for masonry or drywall construction. IP68 rated for damp, dry or wet locations. Up to 128 lumens per Watt.



SPECIFICATIONS

PHYSICAL

dimensions	13" W x 4.5" H x 3.9" D
weight	5 lbs
housing	Marine grade, corrosion resistant, heavy walled, high pressure, die-cast aluminum with snap-in Screwless faceplate standard. Optional captive recessed stainless steel tamper resistant screws (TRS option). Back Box is high strength, black Polycarbonate with UV protection (UL 746C rated f1) and flame rated (UL94 5VA).
lens	Clear, Low Iron Tempered Glass Lens, IK10 (IEC 62262) impact-resistant glass with Diffused Internal Reflector.
mounting	Concrete pour, masonry, solid composite, special construction, and drywall construction mounting kit included. Hanger bar mounting optional.
ingress protection	Optical / driver unit is IP68 rated dry, damp or wet locations. All seals are injection molded silicone.
faceplate finish	Available in Black, Bronze, Graphite Grey, Silver, White and Custom Colors. Die cast aluminum faceplate. Six stage chemical iron phosphate conversion pre-treatment. Polyester powder coat finish, 18 µm minimum thickness, 5,000 hour salt spray test (ASTM B117) compliant with Florida, AAMA 2604 specification.

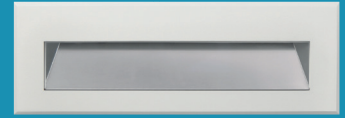
PERFORMANCE

color	2700K, 3000K, 3500K, 4000K, 5000K, Amber, Red, Blue
lumen maintenance	L70 > 70,000 hours
color consistency	3 SDCM, 85 CRI (White Light)
operating temperature	-13°F to 104°F (-30°C to 40°C)
warranty	5-Year limited warranty

ELECTRICAL

input voltage	Universal 120 - 277 VAC
power supply	Integral, electronic high-power factor > 94% @ 120V, THD of ≤ 20%
standards	cETLus, IC Rated
power consumption	14W (1037 lm), 6W (785 lm), 4W (466 lm)
dimming	optional: TRIAC dimming (120V only), 0-10V dimming (1% minimum)

Due to continuous development and improvements, specifications are subject to change without notice. FC Lighting reserves the right to change lab test details or specifications without notice. Product use certifies agreement to FC Lighting terms and conditions.



Ordering Information

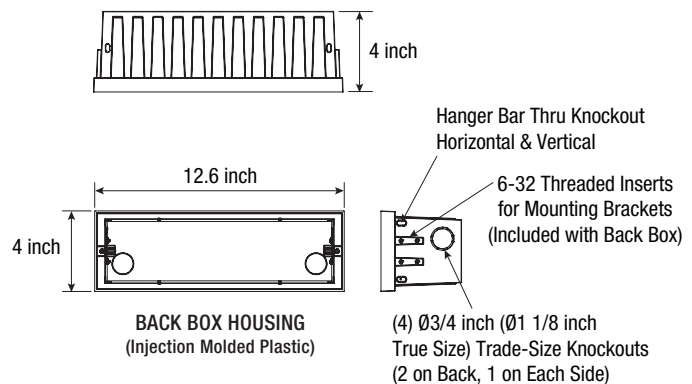
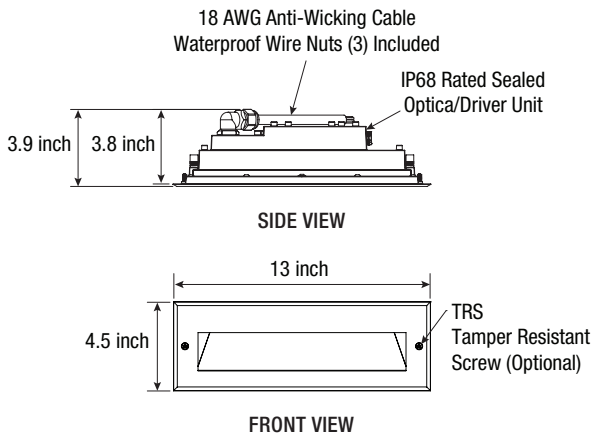
PART NUMBER									
FCSL2040									
MODEL	VOLTAGE		CCT		CRI	LUMENS		FINISH	OPTIONS
FCSL2040	UNV	120 - 277 VAC	White Light		CRI85 ² 85 CRI	5L ² 466 lm (4W)	BKE	Black	LD ² 0-10V Dimming - 1% minimum
		120V ¹ 120 VAC	27K 2700K	Mono Color		8L ² 785 lm (6W)	BRE	Bronze	ET TRIAC Dimming (120V only)
			3K 3000K	AMB	Amber >560nm (14W)	10L ² 1037 lm (14W)	GRE	Graphite Grey	TRS Tamper Resistant Screws (Torx Pin)
			35K 3500K	RED	Red (14W)		SLE	Silver	HB* Hanger Bar (Drywall Mounting)
			4K 4000K	BLU	Blue (14W)		WHE	White	LBB ³ Less Back Box - for shipment separate of Back Box
		5K 5000K				CCE	Custom Color		

Footnote:

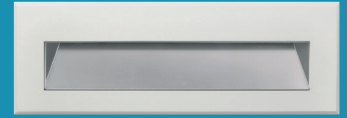
- ¹ For ET option.
- ² For White Light. Does not apply to Mono Color.
- ³ Luminaire must be mounted into FC Lighting supplied Back Box shipped with or separate of luminaire.
- * Cannot be ordered with LBB option. To purchase with separate backbox (shipped in advance of luminaire), please purchase A2000-BB-ETL-HB instead.

BACK BOX KITS	
A2000-BB-ETL	Back Box Kit - Complete Back Box shipped with mounting kit, shipped in advance of luminaire.
A2000-BB-ETL-HB	Back Box Kit w/ Hanger Bar - Includes (#A2000-BB-ETL) Complete Back Box shipped with mounting kit and Hanger Bar (HB), shipped in advance of luminaire.

PRODUCT DIMENSIONS		MOUNTING	
width	13" W	back box width	12.6" W
height	4.5" H	back box height	4" H
depth	3.9" D	back box depth	4" D



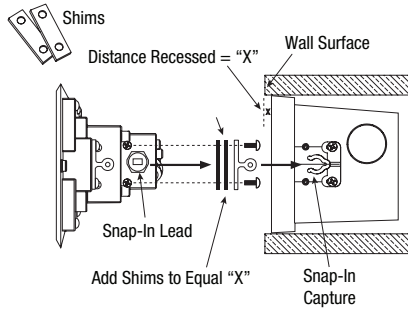
Due to continuous development and improvements, specifications are subject to change without notice. FC Lighting reserves the right to change lab test details or specifications without notice. Product use certifies agreement to FC Lighting terms and conditions.



Back Box Assemblies and Options

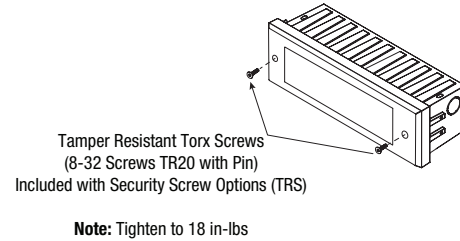
SHIMS - (8 each) Included with Luminaire

Shims provided to compensate for Back Box misalignment

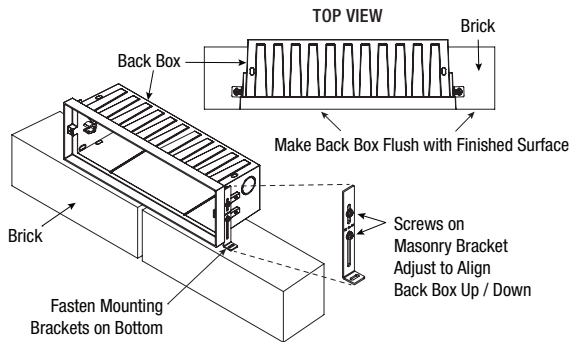


OPTIONAL — Tamper Resistant Screws (TRS)

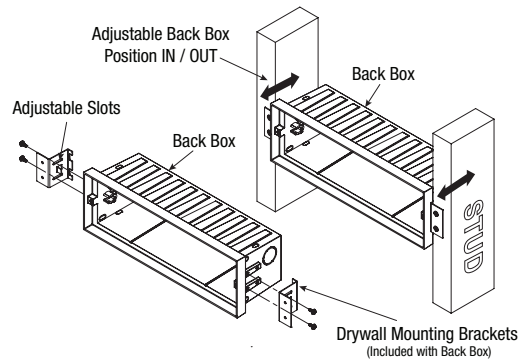
Torx screws with pin, finished to compliment faceplate finish



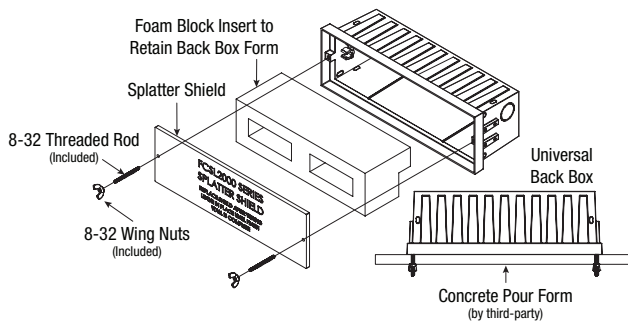
MASONRY BRACKETS — Included with Black Box Kit



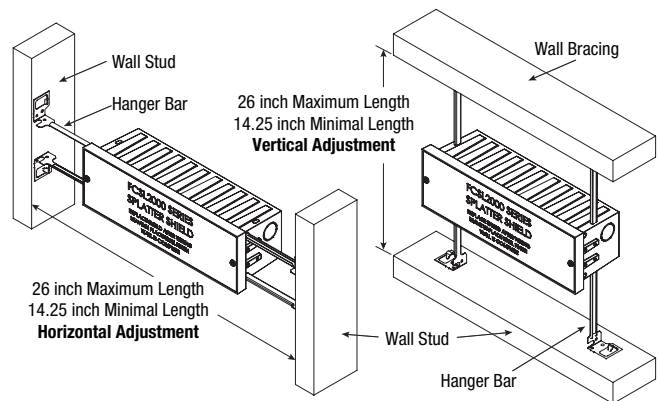
DRYWALL BRACKETS — Included with Black Box Kit



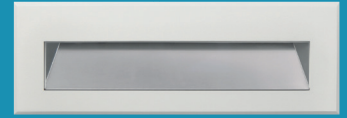
CONCRETE POUR SETUP — Included with Black Box Kit



OPTIONAL — Hanger Bars (HB)



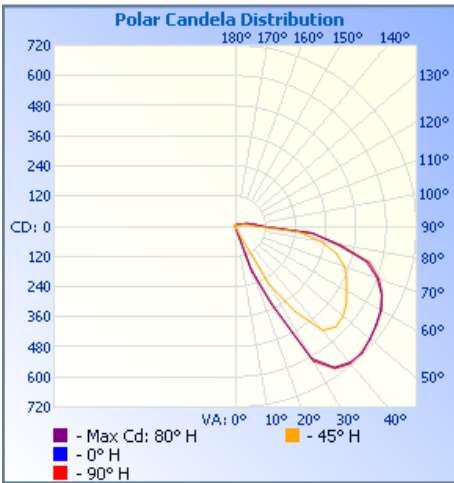
Due to continuous development and improvements, specifications are subject to change without notice. FC Lighting reserves the right to change lab test details or specifications without notice. Product use certifies agreement to FC Lighting terms and conditions.



Photometry

OPTICAL DISTRIBUTION

lumen output	1037 lm	785 lm	466 lm
power consumption	14W	6W	4W



IES MULTIPLIER	
CCT (CRI85)	Multiplier
2700	0.91
3000	0.94
3500	0.96
4000	1.00
5000	1.00

itl illuminations testing laboratory :
Report #3751, #3752, #3753

Due to continuous development and improvements, specifications are subject to change without notice. FC Lighting reserves the right to change lab test details or specifications without notice. Product use certifies agreement to FC Lighting terms and conditions.