

<b>Date:</b>	<b>Approved:</b>
<b>Type:</b>	
<b>Fixture:</b>	
<b>Project:</b>	

## FCSL308

**FCSL308** IP65 rated exterior stainless steel large step light with directional lens for masonry applications. Corrosion resistant, die-cast aluminum housing construction, this fixture provides illumination for dry, damp or wet locations.



### SPECIFICATIONS

#### PHYSICAL

<b>dimensions</b>	19.8" W x 5.2" H x 3.3" D
<b>weight</b>	3.5 lbs
<b>housing</b>	Marine grade, corrosion resistant, heavy gauge aluminum housing
<b>lens</b>	White Opal Glass Lens
<b>mounting</b>	Concrete pour, masonry applications
<b>ingress protection</b>	IP65 : dry, damp or wet locations
<b>faceplate finish</b>	Marine grade 316 stainless steel faceplate

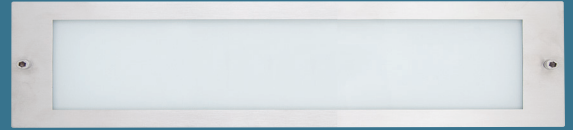
#### PERFORMANCE

<b>color temperature</b>	2700K	3000K	3500K	4000K
<b>lumen output</b>	1600 lm			
<b>lumen maintenance</b>	L70 >70,000 hours			
<b>color consistency</b>	3 SDCM / 85 CRI			
<b>operating temperature</b>	-13°F to 104°F (-25°C to 40°C)			
<b>warranty</b>	5-Year limited warranty			

#### ELECTRICAL

<b>input voltage</b>	Universal 120 - 277 VAC
<b>power supply</b>	Integral Class II, electronic high-power factor > 94% @ 120V
<b>certifications</b>	ETL / cETL Listed, ADA Compliant
<b>standards</b>	UL1598/CSA C22.2 No. 250.0; UL 8750/CSA C22.2 No. 250.13/IES LM-79/LM-80
<b>power consumption</b>	35W @ 120 - 277 VAC
<b>dimming</b>	0-10 V (10%)

Due to continuous development and improvements, specifications are subject to change without notice. Product use certifies agreement to FC terms and conditions.



# Ordering Information

## ORDERING INFORMATION

FCSL308	UNV		CRI85	16L	SS	
SERIES	VOLTAGE	CCT	CRI	LUMENS	FINISH	OPTIONS
FCSL308	UNV 120 - 277 VAC	27K 2700K 3K 3000K 35K 3500K 4K 4000K	CRI85 85 CRI	16L 1600 lm (35W)	SS Stainless Steel	LD 0-10V Dimming (Standard) WPC White Polycarbonate Lens LBB Less Back Box (for shipment separate of Back Box)

## BACK BOX KITS

99004-ETL Back Box Kit - Complete Back Box shipped in advance of fixture without mounting kit.

## REMOTE DRIVER & BATTERY BACKUP

FCSL308R	UNV		CRI85	16L	SS	
SERIES	VOLTAGE	CCT	CRI	LUMENS	FINISH	OPTIONS
FCSL308R <sup>†</sup>	UNV 120 - 277 VAC	27K 2700K 3K 3000K 35K 3500K 4K 4000K	CRI85 85 CRI	16L 1600 lm (35W)	SS Stainless Steel	LD 0-10V Dimming (Standard) WPC White Polycarbonate Lens LBB Less Back Box (for shipment separate of Back Box) BBUR <sup>1</sup> Battery Backup Remote (Indoor) BBUX <sup>2</sup> Battery Backup Remote (Outdoor) N/A Leave Blank for Remote Driver Only (without Battery Backup)

<sup>†</sup> LED DRIVER REMOTE (INDOOR) IP20, IK08, NEMA 1, -20°C to +50°C, 30' MAX Distance with 12AWG.  
\*Consult factory for outdoor remote driver only.

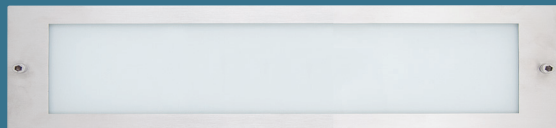
<sup>1</sup> Battery Back-up & LED Driver Remote (INDOOR), IP20, IK08, NEMA 1, 0°C to +48°C, 30' MAX Distance with 12AWG (w/UNV Option Only)

<sup>2</sup> Battery Back-up & LED Driver Remote (OUTDOOR), IP67, IK10, NEMA 4X, -20°C to +55°C, 30' MAX Distance with 12AWG (w/UNV Option Only)

### Consult Factory for other options and configurations.

To ensure you receive proper configurations for your lighting specifications, contact us directly about any unique application requirements. This may include but not be limited to lumen output, mounting needs, or electrical requirements.

Due to continuous development and improvements, specifications are subject to change without notice. Product use certifies agreement to FC terms and conditions.



# Dimensions

PRODUCT DIMENSIONS - STANDARD PRODUCT		MOUNTING - <i>j-box sold by others</i>	
width	19.8" W	back box width	19.4" W
height	5.2" H	back box height	4.9" H
depth	3.3" D	back box depth	2.9" D

Back box mounts inside brick masonry: faceplate flush to surface or in front of surface. See installation instructions for proper mounting directions.

19.8"

5.2"

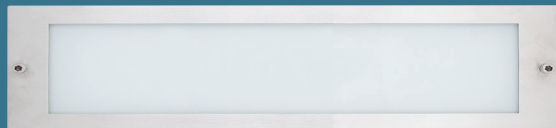
3.3"

2.9"

2X 1/2" Hole Knockouts for electrical connections.

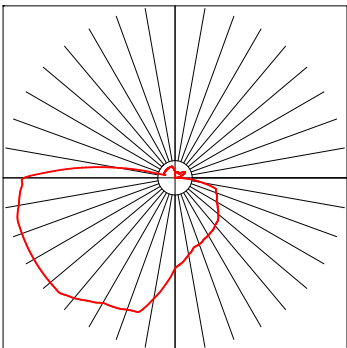
Due to continuous development and improvements, specifications are subject to change without notice. Product use certifies agreement to FC terms and conditions.

# Photometry



## OPTICAL DISTRIBUTION

<b>lumen output</b>	1600 lm @ 4000K
<b>power consumption</b>	35W



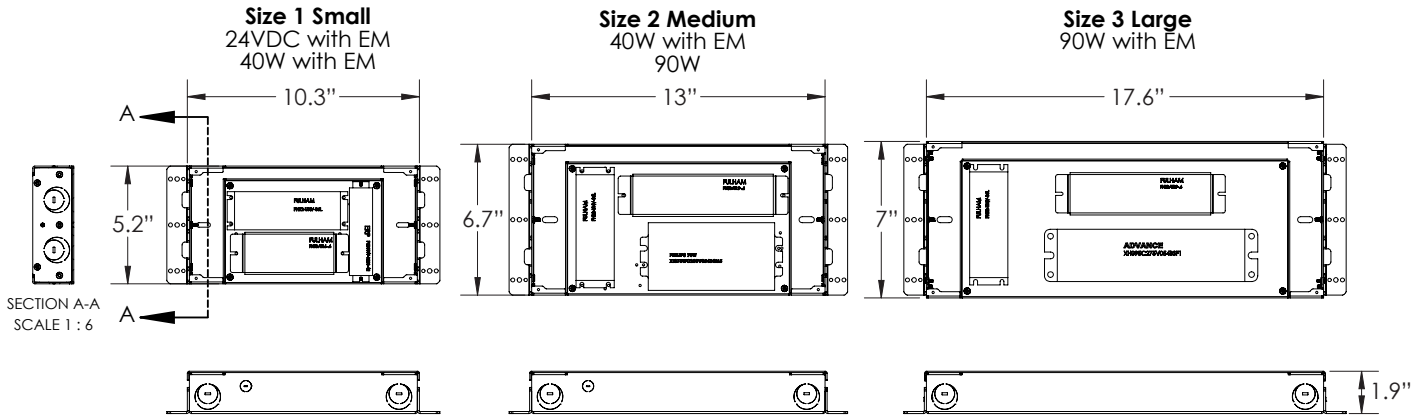
Manufacturer: FC Lighting  
 Luminaire catalog: FCSL308  
 Luminaire: FCSL308-UNV-4K-CRI85-16L-SS-LD

IES MULTIPLIER	
CCT (CRI85)	Multiplier
2700	0.89
3000	0.96
3500	0.97
4000	1.00

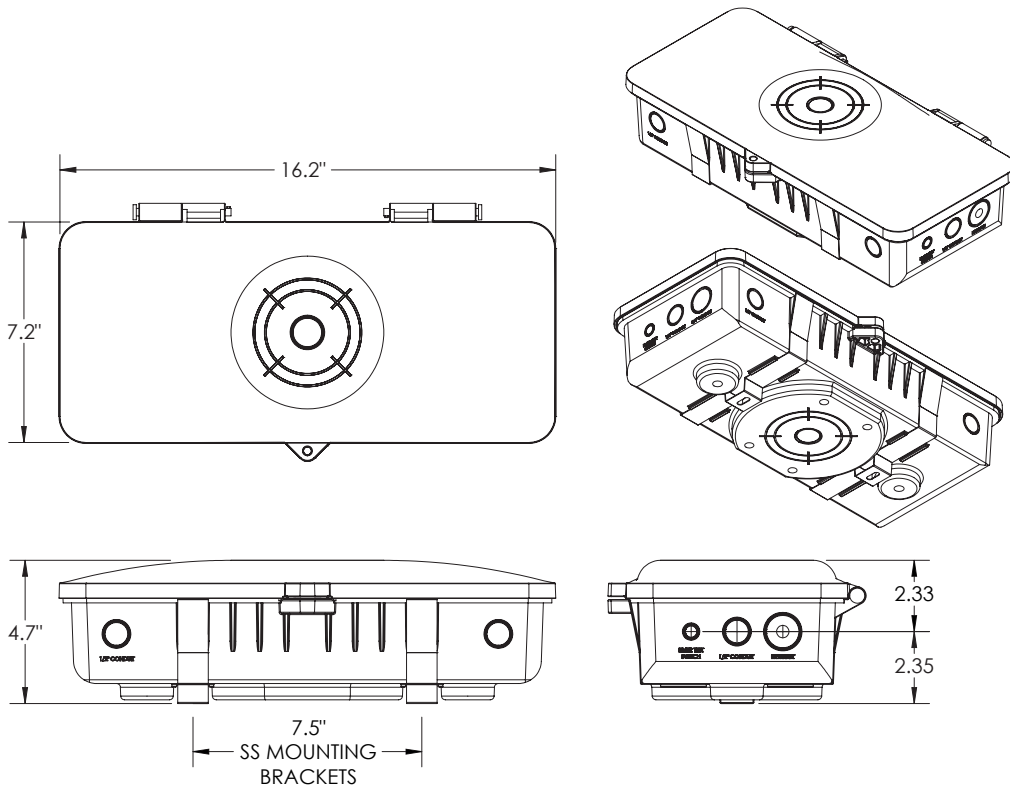
Due to continuous development and improvements, specifications are subject to change without notice. Product use certifies agreement to FC terms and conditions.

**BATTERY BACK-UPS**

**BBUR - BATTERY BACK-UP & LED DRIVER REMOTE (INDOOR), IP20, IK08, NEMA 1, 0°C to +48°C, 30' MAX Distance with 12AWG (w/UNV Option Only)**



**BBUX - BATTERY BACK-UP & LED DRIVER REMOTE (OUTDOOR), IP67, IK10, NEMA 4X, -20°C to +55°C, 30' MAX Distance with 12AWG (w/UNV Option Only)**



Due to continuous development and improvements, specifications are subject to change without notice. Product use certifies agreement to FC terms and conditions.