

**Date:** \_\_\_\_\_

**Type:** \_\_\_\_\_

**Fixture:** \_\_\_\_\_

**Project:** \_\_\_\_\_

**Approved:**

**FCSL400**



**FCSL400** IP65 rated exterior round eyelid face, 7 inch step light designed for masonry applications. Corrosion resistant, high pressured, die-cast aluminum construction, this fixture provides illumination for damp, dry or wet areas.



**SPECIFICATIONS**

**PHYSICAL**

<b>dimensions</b>	Ø 7.2" x 4" Deep
<b>weight</b>	2 lbs
<b>housing</b>	Marine grade, corrosion resistant, heavy walled, high pressure die-cast aluminum
<b>lens</b>	White glass lens
<b>mounting</b>	Concrete pour, masonry applications
<b>ingress protection</b>	IP65 : dry, damp or wet locations with extruded silicone gasket to seal out contaminants
<b>faceplate finish</b>	Six stage chemical iron phosphate conversion pre-treatment. Polyester powder coat finish, 18 µm Min., 5000hr salt spray test (ASTM B117) compliant with Florida / AAMA 2604 specification.

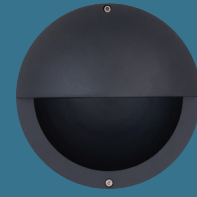
**PERFORMANCE**

<b>color temperature</b>	2700K	3000K	3500K	4000K
<b>lumen output</b>	430 lm			
<b>lifetime</b>	> 70,000 hours / L70 or better			
<b>color consistency</b>	3 SDCM / 85 CRI			
<b>operating temperature</b>	-13°F to 104°F (-25°C to 40°C)			
<b>junction temperature</b>	73°C @ T <sup>a</sup> 25°C			
<b>warranty</b>	5-Year limited warranty (refer to website for details)			

**ELECTRICAL**

<b>input voltage</b>	Universal 120 - 277 VAC   <b>optional:</b> 347 VAC (integral)
<b>power supply</b>	Integral Class II, electronic high-power factor > 94% @ 120V
<b>certifications</b>	ETL / cETL Listed   ADA compliant
<b>standards</b>	UL1598/CSA C22.2 No. 250.0; UL 8750/CSA C22.2 No. 250.13/IES LM-79/LM-80
<b>power consumption</b>	10W @ 120 - 277 VAC
<b>dimming</b>	0-10V (10%)

Due to continuous development and improvements, specifications are subject to change without notice. FC Lighting reserves the right to change lab test details or specifications without notice. Product use certifies agreement to FC terms and conditions.



# Ordering Information

## ORDERING INFORMATION

FCSL400			CRI85	4L		
SERIES	VOLTAGE	CCT	CRI	LUMENS	FINISH	OPTIONS
FCSL400	<b>120V</b> 120 AC	<b>27K</b> 2700K	<b>CRI85</b> 85 CRI	<b>4L</b> 430 lm (10W)	<b>BKE</b> Black	<b>LD</b> 0-10V Dimming (Standard)
	<b>277V</b> 277 VAC	<b>3K</b> 3000K			<b>BRE</b> Bronze	<b>DWR</b> Drywall Wings (for remodeling applications)
	<b>UNV</b> 120 - 277 VAC	<b>35K</b> 3500K			<b>GRE</b> Graphite Grey	<b>LBB</b> Less Back Box (for shipment separate of Back Box)
	<b>347V</b> 347 VAC	<b>4K</b> 4000K			<b>SLE</b> Silver	
					<b>WHE</b> White	
					<b>CCE</b> Custom Color	

### BACK BOX KITS

**99005-ETL** Back Box Kit - Complete Back Box shipped in advance of fixture without mounting kit.

### REMOTE DRIVER & BATTERY BACKUP

FCSL400R	UNV					
SERIES	VOLTAGE	CCT	CRI	LUMENS	FINISH	OPTIONS
FCSL400R <sup>†</sup>	UNV 120 - 277 VAC	<b>27K</b> 2700K	<b>CRI85</b> 85 CRI	<b>4L</b> 430 lm (10W)	<b>BKE</b> Black	<b>LD</b> 0-10V Dimming (Standard)
		<b>3K</b> 3000K			<b>BRE</b> Bronze	<b>DWR</b> Drywall Wings (for remodeling applications)
		<b>35K</b> 3500K			<b>GRE</b> Graphite Grey	<b>LBB</b> Less Back Box (for shipment separate of Back Box)
		<b>4K</b> 4000K			<b>SLE</b> Silver	
					<b>WHE</b> White	<b>BBUR</b> <sup>1</sup> Battery Backup Remote (Indoor)
					<b>CCE</b> Custom Color	<b>BBUX</b> <sup>2</sup> Battery Backup Remote (Outdoor)
						<b>N/A</b> Leave Blank for Remote Driver Only (without Battery Backup)

<sup>†</sup> LED DRIVER REMOTE (INDOOR) IP20, IK08, NEMA 1, -20°C to +50°C, 30' MAX Distance with 12AWG.

\*Consult factory for outdoor remote driver only.

<sup>1</sup> Battery Back-up & LED Driver Remote (INDOOR), IP20, IK08, NEMA 1, 0°C to +48°C, 30' MAX Distance with 12AWG (w/UNV Option Only)

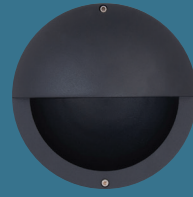
<sup>2</sup> Battery Back-up & LED Driver Remote (OUTDOOR), IP67, IK10, NEMA 4X, -20°C to +55°C, 30' MAX Distance with 12AWG (w/UNV Option Only)

### Consult Factory for other options and configurations.

To ensure you receive proper configurations for your lighting specifications, contact us directly about any unique application requirements. This may include but not be limited to lumen output, mounting needs, or electrical requirements.

Due to continuous development and improvements, specifications are subject to change without notice. FC Lighting reserves the right to change lab test details or specifications without notice. Product use certifies agreement to FC terms and conditions.

 US Commercial Lighting Manufacturer Since 1982



# Dimensions

PRODUCT DIMENSIONS - STANDARD PRODUCT		MOUNTING - <i>j-box sold by others</i>	
diameter	7.125" W	back box diameter lip	Ø 6.8"
housing depth	4.25" D	back box housing depth	Ø 5.9"
		back box lip depth	.25" D
		back box housing depth	4" D

7.125 in

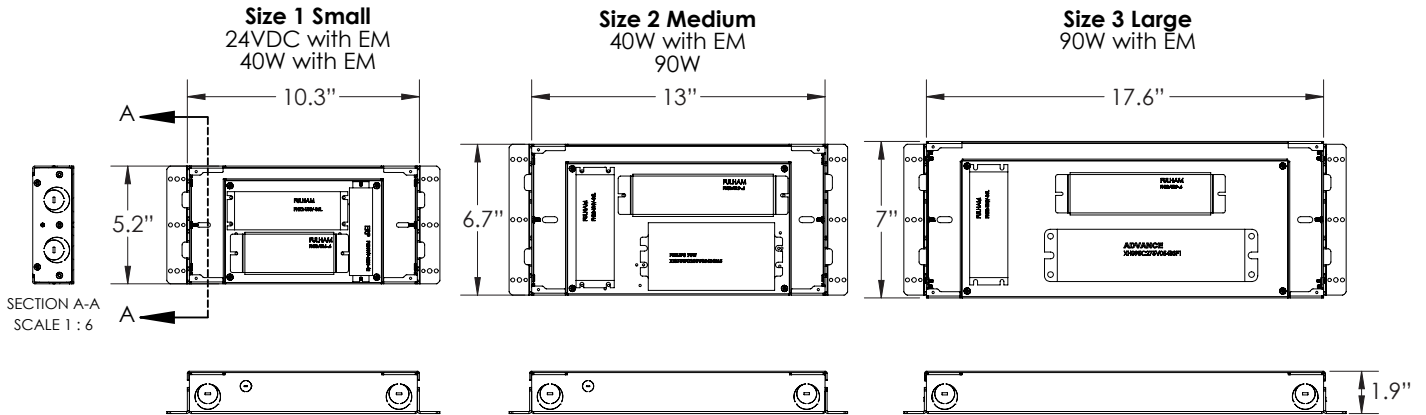
.25"  
6.8"  
Ø .875" Knockout  
5.9" back box housing  
Ø .875" Knockout  
4"

back box mounts inside brick masonry: faceplate flush to surface or in front of surface - see installation instructions for proper mounting directions

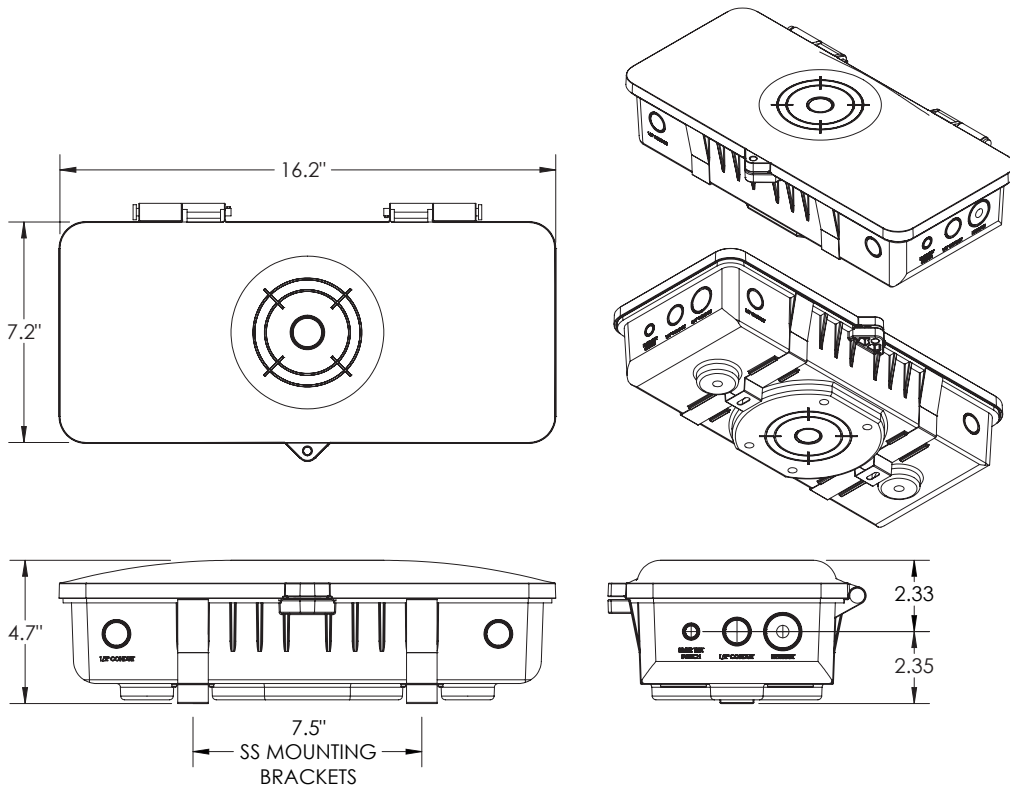
Due to continuous development and improvements, specifications are subject to change without notice. FC Lighting reserves the right to change lab test details or specifications without notice. Product use certifies agreement to FC terms and conditions.

**BATTERY BACK-UPS**

**BBUR - BATTERY BACK-UP & LED DRIVER REMOTE (INDOOR), IP20, IK08, NEMA 1, 0°C to +48°C, 30' MAX Distance with 12AWG (w/UNV Option Only)**



**BBUX - BATTERY BACK-UP & LED DRIVER REMOTE (OUTDOOR), IP67, IK10, NEMA 4X, -20°C to +55°C, 30' MAX Distance with 12AWG (w/UNV Option Only)**



Due to continuous development and improvements, specifications are subject to change without notice. FC Lighting reserves the right to change lab test details or specifications without notice. Product use certifies agreement to FC terms and conditions.