

FC

OUTDOOR LIGHTING

FCSL403



Date:	Approved:
Type:	
Fixture:	
Project:	

FCSL403 IP65 rated exterior stainless steel round open face, 7 inch step light designed for masonry applications. Corrosion resistant, high pressured, die-cast aluminum housing construction, this fixture provides illumination for damp, dry or wet areas.

SPECIFICATIONS

PHYSICAL

dimensions	Ø 7.2" x 4" Deep
weight	2 lbs
housing	Marine grade, corrosion resistant, heavy walled, high pressure die-cast aluminum
lens	White glass lens
mounting	Concrete pour, masonry applications
ingress protection	IP65 : dry, damp or wet locations with extruded silicone gasket to seal out contaminants
finish	Marine grade 316, stainless steel faceplate

PERFORMANCE

color temperature	2700K	3000K	3500K	4000K
lumen output	740 lm			
lifetime	> 70,000 hours / L70 or better			
color consistency	3 SDCM / 85 CRI			
operating temperature	-13°F to 104°F (-25°C to 40°C)			
junction temperature	73°C @ T ^A 25°C			
warranty	5 Year limited warranty (refer to website for details)			

ELECTRICAL

input voltage	Universal 120–277V AC optional: 347V AC (integral)
power supply	integral Class II, electronic high-power factor > 94% @120V
certifications	ETL / cETL Listed ADA compliant
standards	UL1598/CSA C22.2 No. 250.0; UL 8750/CSA C22.2 No. 250.13/IES LM-79/LM-80
power consumption	18W @ 120V - 277V
dimming	0-10V (10%)

Due to continuous development and improvements, specifications are subject to change without notice. FC Lighting reserves the right to change lab test details or specifications without notice. Product use certifies agreement to FC terms and conditions.

 US Commercial Lighting Manufacturer Since 1982

© FC Lighting 3609 Swenson Ave. • St. Charles, IL • 60174 | fcighting.com | 800.900.1730

Specification Sheet

JO-DM-042123



Ordering Information

ORDERING INFORMATION

This product has Quick Ship options available. View the FC|SSL Quick Ship catalog.

FCSL403					CRI85		7L		SS			
SERIES	VOLTAGE		CCT		CRI		LUMENS		FINISH		OPTIONS	
FCSL403	120V	120V	27K	2700K	CRI85	85 CRI	7L	740 lm (18W)	SS	Stainless Steel	LD	0-10V Dimming (Standard)
	277V	277V	3K	3000K							WPC	White Polycarbonate Lens
	UNV	120V-277V	35K	3500K							DWR	Drywall Wings (for remodeling applications)
	347V	347V	4K	4000K							LBB	Less Back Box (for shipment separate of Back Box)

BACK BOX KITS

99005-ETL Back Box Kit - Complete Back Box shipped in advance of fixture without mounting kit.

Consult Factory for other options and configurations.

To ensure you receive proper configurations for your lighting specifications, contact us directly about any unique application requirements. This may include but not be limited to lumen output, mounting needs, or electrical requirements.

Due to continuous development and improvements, specifications are subject to change without notice. FC Lighting reserves the right to change lab test details or specifications without notice. Product use certifies agreement to FC terms and conditions.

 US Commercial Lighting Manufacturer Since 1982

© FC Lighting 3609 Swenson Ave. • St. Charles, IL • 60174 | fclighting.com | 800.900.1730

Specification Sheet

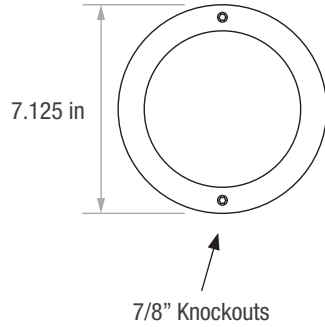
JO-DM-042123



Dimensions

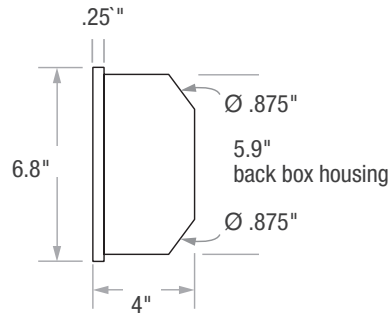
PRODUCT DIMENSIONS - STANDARD PRODUCT | **MOUNTING - j-box sold by others**

diameter	7.125" W
housing depth	4.25" D



back box diameter lip	Ø 6.8"
back box housing depth	Ø 5.9"
back box lip depth	.25" D
back box housing depth	4" D

back box mounts inside brick masonry: faceplate flush to surface or in front of surface - see installation instructions for proper mounting directions



Due to continuous development and improvements, specifications are subject to change without notice. FC Lighting reserves the right to change lab test details or specifications without notice. Product use certifies agreement to FC terms and conditions.