

## FCSL590



**FCSL590** IP65 rated exterior die-cast aluminum step light for masonry applications. Corrosion resistant construction, this fixture provides illumination for damp, dry or wet areas.

### SPECIFICATIONS

#### PHYSICAL

<b>dimensions</b>	9.125" W x 7.75" H x 4.4" D
<b>weight</b>	1.5 lbs
<b>housing</b>	Marine grade, corrosion resistant, heavy gauge aluminum faceplate
<b>lens</b>	White glass lens
<b>mounting</b>	Concrete pour, masonry applications
<b>ingress protection</b>	IP65 : dry, damp or wet locations with extruded silicone gasket to seal out contaminants
<b>faceplate finish</b>	Six stage chemical iron phosphate conversion pre-treatment. Polyester powder coat finish, 18 µm Min., 5000hr salt spray test (ASTM B117) compliant with Florida / AAMA 2604 specification.

#### PERFORMANCE

<b>color temperature</b>	2700K	3000K	3500K	4000K
<b>lumen output</b>	1346 lm			
<b>lifetime</b>	> 70,000 hours / L70 or better			
<b>color consistency</b>	3 SDCM / 85 CRI			
<b>operating temperature</b>	-13°F to 104°F (-25°C to 40°C)			
<b>junction temperature</b>	73°C @ T <sup>a</sup> 25°C			
<b>warranty</b>	5-Year limited warranty (refer to website for details)			

#### ELECTRICAL

<b>input voltage</b>	Universal 120 - 277 VAC   optional: 347 VAC (Integral)
<b>power supply</b>	Integral Class II, electronic high-power factor > 94% @ 120V
<b>certifications</b>	ETL / cETL Listed, ADA compliant
<b>standards</b>	UL1598/CSA C22.2 No. 250.0; UL 8750/CSA C22.2 No. 250.13/IES LM-79/LM-80
<b>power consumption</b>	28W @ 120V - 277 VAC
<b>dimming</b>	0-10V (10%)



Due to continuous development and improvements, specifications are subject to change without notice. FC Lighting reserves the right to change lab test details or specifications without notice. Product use certifies agreement to FC terms and conditions.



# Ordering Information

## ORDERING INFORMATION

FCSL590				CRI85		13L						
SERIES	VOLTAGE	CCT		CRI		LUMENS		FINISH		OPTIONS		
FCSL590	UNV	120 - 277 VAC	27K	2700K	CRI85	85 CRI	13L	1346 lm (28W)	BKE	Black	LD	Dimming 0-10V (Integral) (Standard)
	347V	347 VAC	3K	3000K					BRE	Bronze	LBB	Less Back Box (for shipment separate of Back Box)
			35K	3500K					GRE	Graphite Grey		
			4K	4000K					SLE	Silver		
								WHE	White			
								CCE	Custom Color			

### BACK BOX KITS

**H00590-ETL** Back Box Kit - Complete Back Box shipped in advance of fixture without mounting kit.

## REMOTE DRIVER & BATTERY BACKUP

FCSL590R				CRI85		13L						
SERIES	VOLTAGE	CCT		CRI		LUMENS		FINISH		OPTIONS		
FCSL590R <sup>1</sup>	UNV	120 - 277 VAC	27K	2700K	CRI85	85 CRI	13L	1346 lm (28W)	BKE	Black	LD	Dimming 0-10V (Integral) (Standard)
			3K	3000K					BRE	Bronze	LBB	Less Back Box (for shipment separate of Back Box)
			35K	3500K					GRE	Graphite Grey		
			4K	4000K					SLE	Silver	BBUR <sup>1</sup>	Battery Backup Remote (Indoor)
								WHE	White	BBUX <sup>2</sup>	Battery Backup Remote (Outdoor)	
								CCE	Custom Color	N/A	Leave Blank for Remote Driver Only (without Battery Backup)	

<sup>1</sup> LED DRIVER REMOTE (INDOOR) IP20, IK08, NEMA 1, -20°C to +50°C, 30' MAX Distance with 12AWG.

\*Consult factory for outdoor remote driver only.

<sup>1</sup> Battery Back-up & LED Driver Remote (INDOOR), IP20, IK08, NEMA 1, 0°C to +48°C, 30' MAX Distance with 12AWG (w/UNV Option Only)

<sup>2</sup> Battery Back-up & LED Driver Remote (OUTDOOR), IP67, IK10, NEMA 4X, -20°C to +55°C, 30' MAX Distance with 12AWG (w/UNV Option Only)

### Consult Factory for other options and configurations.

To ensure you receive proper configurations for your lighting specifications, contact us directly about any unique application requirements. This may include but not be limited to lumen output, mounting needs, or electrical requirements.

Due to continuous development and improvements, specifications are subject to change without notice. FC Lighting reserves the right to change lab test details or specifications without notice. Product use certifies agreement to FC terms and conditions.

 US Commercial Lighting Manufacturer Since 1982



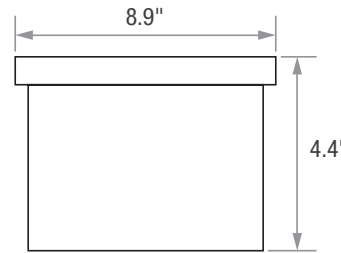
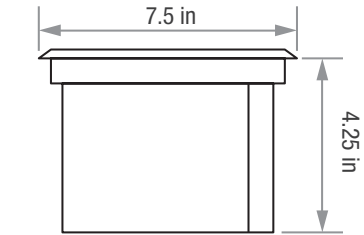
# Dimensions

**PRODUCT DIMENSIONS - STANDARD PRODUCT** | **MOUNTING - j-box sold by others**

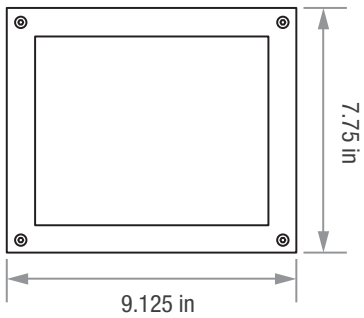
<b>width</b>	9.125" W
<b>height</b>	7.75" H
<b>depth</b>	4.25" D

<b>back box width</b>	8.9" W
<b>back box height</b>	7" H
<b>back box depth</b>	4.4" D

Back Box mounts inside brick masonry: faceplate flush to surface or in front of surface - see installation instructions for proper mounting directions.



back box housing



Due to continuous development and improvements, specifications are subject to change without notice. FC Lighting reserves the right to change lab test details or specifications without notice. Product use certifies agreement to FC terms and conditions.

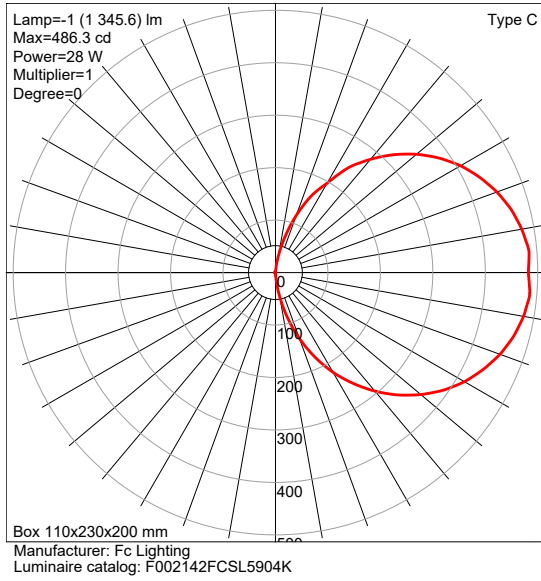


# Photometry

## OPTICAL DISTRIBUTION

<b>lumen output</b>	1346 lm @ 4000K
<b>power consumption</b>	28W

**iti** illuminations testing laboratory



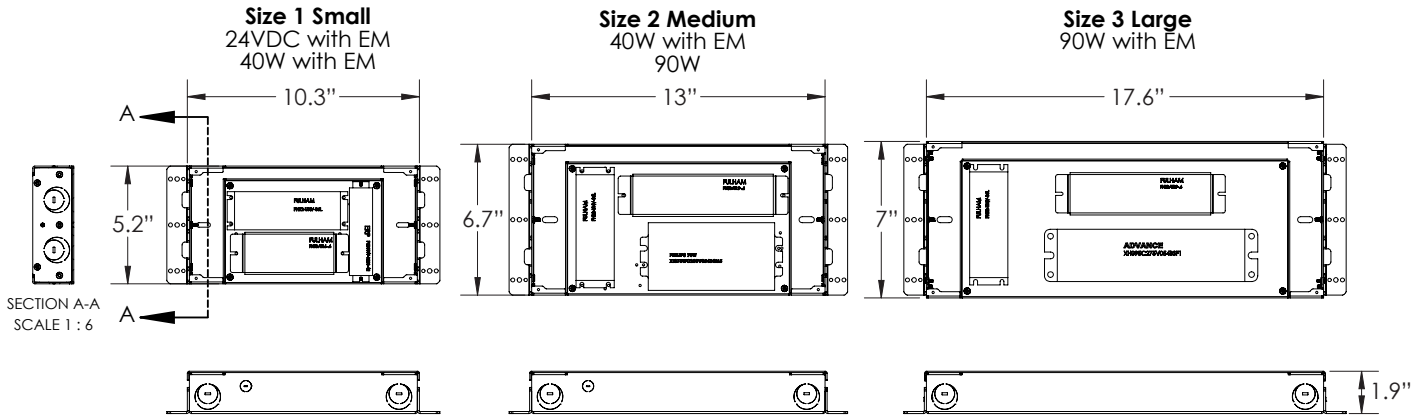
Due to continuous development and improvements, specifications are subject to change without notice. FC Lighting reserves the right to change lab test details or specifications without notice. Product use certifies agreement to FC terms and conditions.

 US Commercial Lighting Manufacturer Since 1982

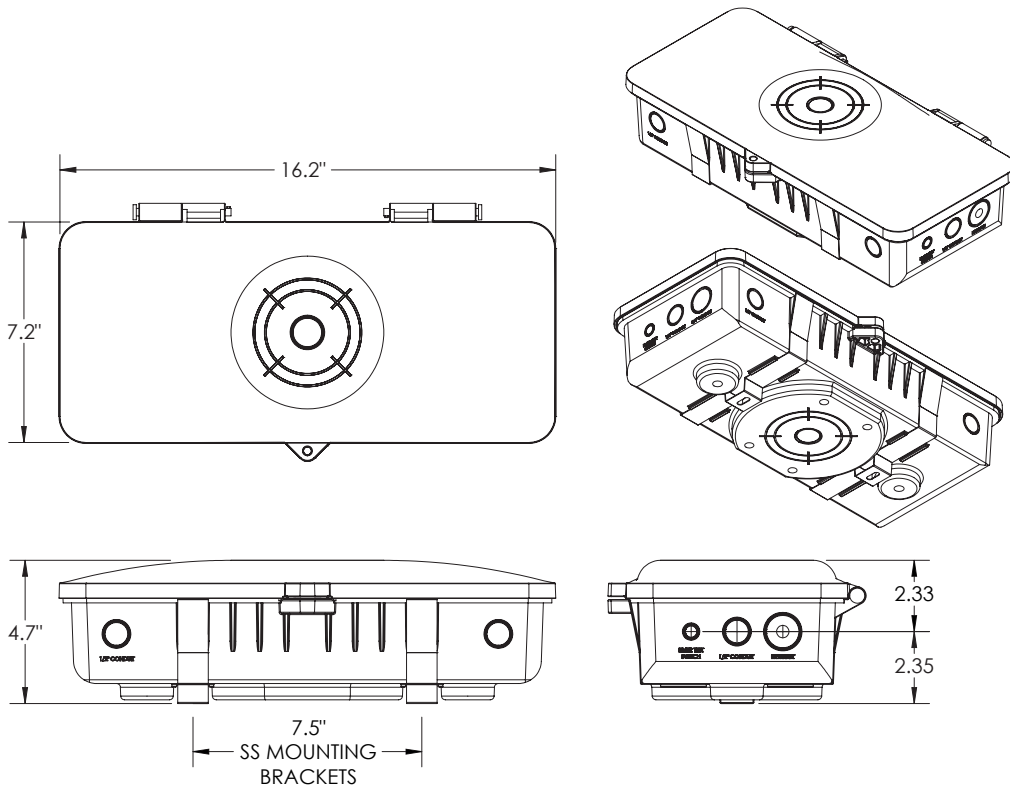
**Specification Sheet**

**BATTERY BACK-UPS**

**BBUR - BATTERY BACK-UP & LED DRIVER REMOTE (INDOOR), IP20, IK08, NEMA 1, 0°C to +48°C, 30' MAX Distance with 12AWG (w/UNV Option Only)**



**BBUX - BATTERY BACK-UP & LED DRIVER REMOTE (OUTDOOR), IP67, IK10, NEMA 4X, -20°C to +55°C, 30' MAX Distance with 12AWG (w/UNV Option Only)**



Due to continuous development and improvements, specifications are subject to change without notice. FC Lighting reserves the right to change lab test details or specifications without notice. Product use certifies agreement to FC terms and conditions.