

FCSL590 SERIES (CONCRETE POUR) - INSTALLATION INSTRUCTIONS

CAUTION: BEFORE CONNECTING THE FIXTURE TO A POWER SUPPLY, MAKE SURE THE POWER IS SWITCHED OFF.



FC
LIGHTING

t 800.900.1730 f 630.889.8106
3609 Swenson Ave. St. Charles, IL 60174

DETAILED ILLUSTRATION

GENERAL:

1. Before starting the installation, make sure all electricity has been turned off and electrical breaker has been locked out and tagged out.
2. To ensure the success of the installation, be sure to read these instructions and review the diagrams thoroughly before beginning.
3. All electrical connections must be in accordance with local codes, ordinances, or the National Electrical Code.

NOTE: The important safeguards and instructions appearing in this manual are not meant to cover all possible conditions and situations that may occur.

INSTALL FOR CONCRETE POUR:

- 1) Insert or set the PVC Back Box in the formed or preformed wall structure where the feeder cable should be predisposed. The Front Edge of the PVC Back Box should be flush with the wall surface. Once PVC Back Box is leveled & set in wall structure, remove Faceplate and Lens assembly from Fixture Housing. Feed power wires through Back Box and into Fixture Housing to complete all NEC, code approved wiring connections.

NOTE: If you need to cut a hole into an existing wall, make sure the hole is no smaller than the dimensions of the back box. Front edge of Back Box should still be flush with wall surface.

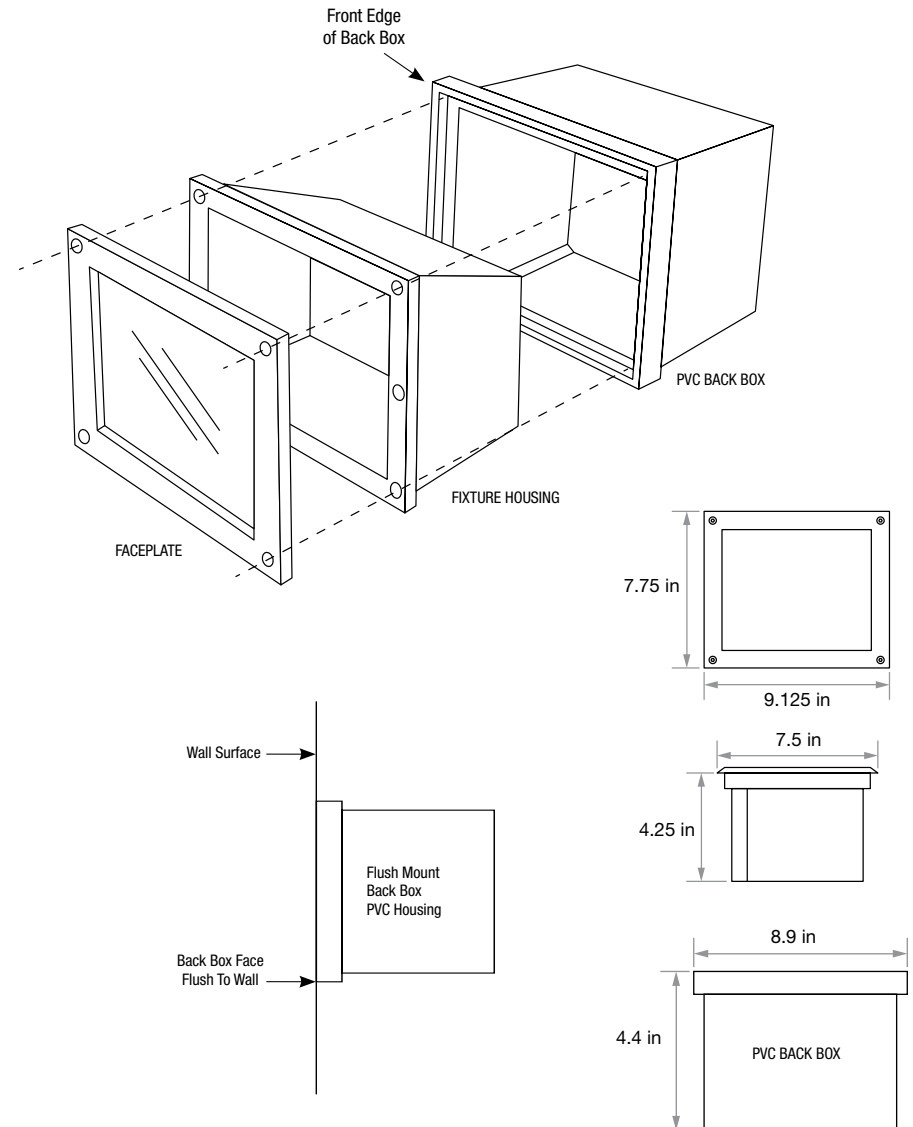
NOTE: Typical height placement on wall is about 18 inches from ground level to the bottom edge of fixture, but actual placement is at the discretion of your design preference.

IMPORTANT: Be sure to align non-threaded holes of Fixture Housing with threaded inserts on PVC Back Box for proper assembly.

- 2) Once wiring is completed, Lamp as per labeled requirements. (Lamp by others.)
LED lamp options are included and ship assembled with fixture.
- 3) Apply silicone gasket to front edge of Fixture Housing.
- 4) Replace Faceplate and Lens assembly, tightening 4 screws evenly to create proper seal.
- 5) Restore power and test fixture. If troubleshooting is necessary repeat steps for turning electricity off first.

NOTE: Fixtures are listed for installation with liquid tight or rigid wall conduit only. Fixtures installed without a silicone bead will void the warranty.

IMPORTANT: All FC|SSL products can be cleaned with non-abrasive and chemical free agents. Use a soft cloth with mild detergent on exterior only.



JO Rev. 1216