

# FCSL902 & SL1502 - INSTALLATION INSTRUCTIONS

CAUTION: BEFORE CONNECTING THE LUMINAIRE TO A POWER SUPPLY, MAKE SURE THE POWER IS SWITCHED OFF.



800.900.1730  
3609 Swenson Ave.  
St. Charles, IL 60174

### GENERAL:

1. Before starting the installation, make sure all electricity has been turned off and electrical breaker has been locked out and tagged out.
2. To ensure the success of the installation, be sure to read these instructions and review the diagrams thoroughly before beginning.
3. All electrical connections must be in accordance with local codes, ordinances, or the National Electrical Code.

**NOTE:** The important safeguards and instructions appearing in this manual are not meant to cover all possible conditions and situations that may occur.

### INSTALLATION:

**NOTE:** Product may ship assembled, otherwise backboxes are shipped ahead of time for concrete pour and conduit connection.

- 1) If assembled, remove the faceplate subassembly (faceplate, glass lens and gaskets). Then remove the LED component assembly and the “z” brackets below it, to prepare the backbox for concrete pour.
- 2) Secure the backbox in place (recessed 1/8” into finished surface) to the construction to prepare for concrete pour and connect conduit. Ensure that the backbox is level on all sides prior to pouring concrete. Then seal any openings inside the housing to avoid cement leaking inside the backbox housing.

**NOTE:** Through wiring can be completed with conduit connected to the luminaire end-to-end or using either of the two knockouts on the bottom of the housing.

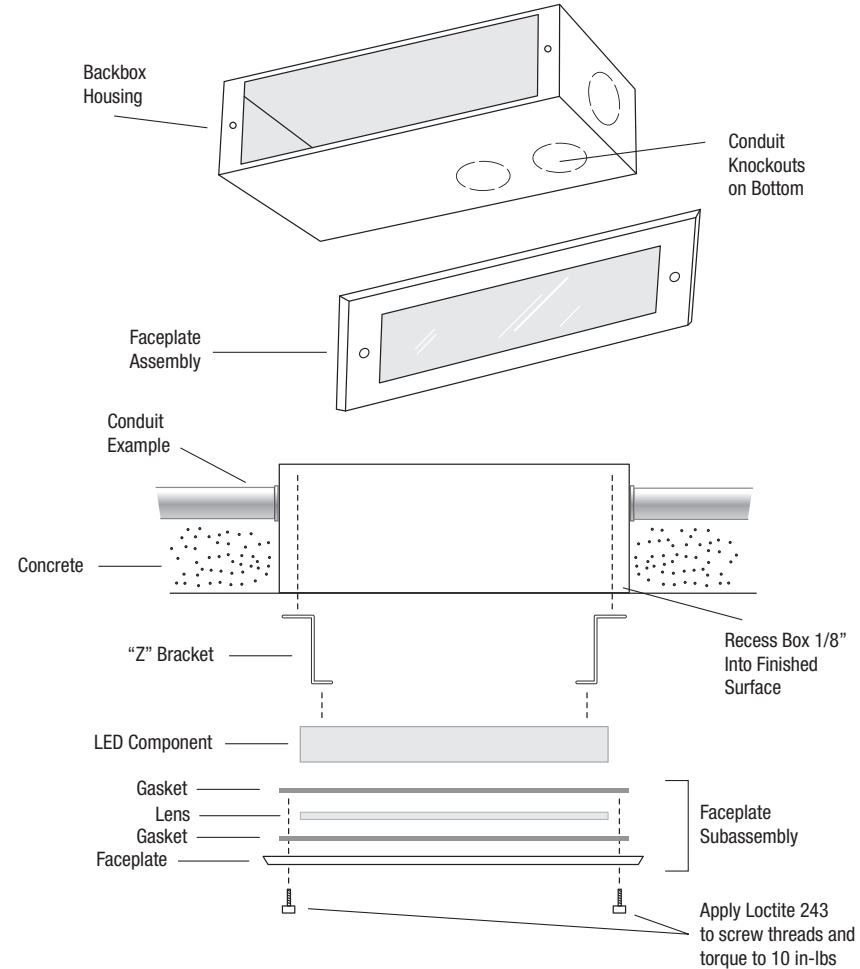
**IMPORTANT:** Knockouts must be on bottom when installed.

- 3) Once the concrete is set and electrical wiring has been pulled into the backbox, make connections to the LED component assembly in accordance with National Electrical Code (NEC) and/or local electrical codes.
- 4) Reinstall the “z” brackets and LED component assembly into the backbox housing.
- 5) Replace the faceplate subassembly using provided stainless steel hex screws. Apply Loctite 243 to screw threads and torque to 10 in-lbs.
- 6) Installer should place a bead of silicone between the faceplate and the mounting surface to help redirect water and other elements away from the luminaire seal.

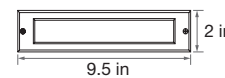
**NOTE:** Luminaires are listed for installation with liquid tight or rigid wall conduit only. Luminaires installed without a silicone bead will void the warranty.

**IMPORTANT:** All FC products can be cleaned with non-abrasive and chemical free agents. Use a soft cloth with mild detergent on exterior only.

### DETAILED ILLUSTRATION



### FCSL902



### FCSL1502

