

Date:	Approved:
Type:	
Fixture:	
Project:	

FCSL902

FCSL902 Stainless steel brick step light with open lens for masonry applications. Corrosion resistant, die-cast aluminum housing construction, this fixture provides illumination suitable for wet areas.



SPECIFICATIONS

PHYSICAL

dimensions	9.5" W x 2" H x 3.125" Deep
weight	2 lbs
housing	Marine grade, corrosion resistant, heavy walled aluminum
lens	White glass lens
mounting	Concrete pour, masonry applications
ingress protection	IP65 : suitable for wet locations with extruded neoprene gasket to seal out contaminants
faceplate finish	Marine grade 316, brushed stainless steel

PERFORMANCE

color temperature	2700K	3000K	3500K	4000K
lumen output	360 lm			
lifetime	> 70,000 hours / L70 or better			
color consistency	3 SDCM / 85 CRI			
operating temperature	-13°F to 104°F (-25°C to 40°C)			
junction temperature	73°C @ T ^a 25°C			
warranty	5-Year limited warranty (refer to website for details)			

ELECTRICAL

input voltage	Universal 120–277V AC
power supply	integral Class II, electronic high-power factor > 94% @120V
certifications	ETL / cETL Listed CEC Title 24 JA8 compliant (90 CRI only) ADA compliant
standards	UL1598 / CSA C22.2 No. 250.0; UL 8750 / CSA C22.2 No. 250.13 / IES LM-79 / LM-80
power consumption	8W @ 120V - 277V
dimming	0-10V (10%)

Due to continuous development and improvements, specifications are subject to change without notice. FC Lighting reserves the right to change lab test details or specifications without notice. Product use certifies agreement to FC terms and conditions.



Ordering Information

ORDERING INFORMATION

FCSL902	UNV		CRI85	4L	SS	
SERIES	VOLTAGE	CCT	CRI	LUMENS	FINISH	OPTIONS
FCSL902	UNV 120V-277V	27K 2700K 3K 3000K 35K 3500K 4K 4000K	CRI85 85 CRI	4L 360 lm (8W)	SS Stainless Steel	LD 0-10V Dimming (Standard) HB Hanger Brackets LBB Less Back Box (for shipment separate of Back Box)



BACK BOX KITS
H00902-ETL Back Box Kit - Complete Back Box shipped in advance of fixture without mounting kit.

REMOTE DRIVER & BATTERY BACKUP

FCSL902R	UNV		CRI85	4L	SS	
SERIES	VOLTAGE	CCT	CRI	LUMENS	FINISH	OPTIONS
FCSL902R[†]	UNV 120V-277V	27K 2700K 3K 3000K 35K 3500K 4K 4000K	CRI85 85 CRI	4L 360 lm (8W)	SS Stainless Steel	LD 0-10V Dimming (Standard) HB Hanger Brackets LBB Less Back Box (for shipment separate of Back Box) BBUR¹ Battery Backup Remote (Indoor) BBUX² Battery Backup Remote (Outdoor) N/A Leave Blank for Remote Driver Only (without Battery Backup)

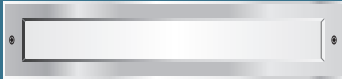
[†] LED DRIVER REMOTE (INDOOR) IP20, IK08, NEMA 1, -20°C to +50°C, 30' MAX Distance with 12AWG.
 * Consult factory for outdoor remote driver only.

¹ Battery Back-up & LED Driver Remote (INDOOR), IP20, IK08, NEMA 1, 0°C to +48°C, 30' MAX Distance with 12AWG (w/UNV Option Only)
² Battery Back-up & LED Driver Remote (OUTDOOR), IP67, IK10, NEMA 4X, -20°C to +55°C, 30' MAX Distance with 12AWG (w/UNV Option Only)

Consult Factory for other options and configurations.

To ensure you receive proper configurations for your lighting specifications, contact us directly about any unique application requirements. This may include but not be limited to lumen output, mounting needs, or electrical requirements.

Due to continuous development and improvements, specifications are subject to change without notice. FC Lighting reserves the right to change lab test details or specifications without notice. Product use certifies agreement to FC terms and conditions.



Dimensions

PRODUCT DIMENSIONS - STANDARD PRODUCT		MOUNTING -	
width	9.5" W	back box width	9.375" W
height	2" H	back box height	2" H
depth	3.125" D	back box depth	3.125" D

back box mounts inside brick masonry: faceplate flush to surface or in front of surface - see installation instructions for proper mounting directions

The technical drawings include:

- A top view of the product showing a width of 9.5 in and a height of 2 in.
- A side view of the product showing a depth of 3.125 in and a height of 2 in.
- A perspective view of the back box housing, which is 2 in high and 9.375 in wide. It features two circular conduit knockouts on the bottom surface.

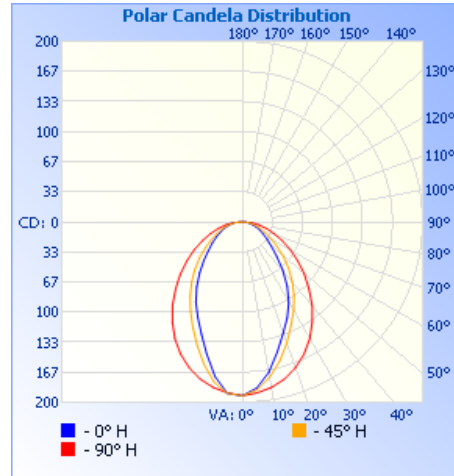
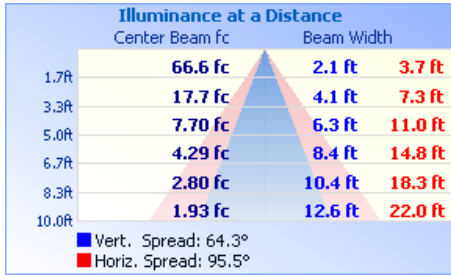
Due to continuous development and improvements, specifications are subject to change without notice. FC Lighting reserves the right to change lab test details or specifications without notice. Product use certifies agreement to FC terms and conditions.



Photometry

OPTICAL DISTRIBUTION

lumen output	359 lm @ 4000K
power consumption	6W



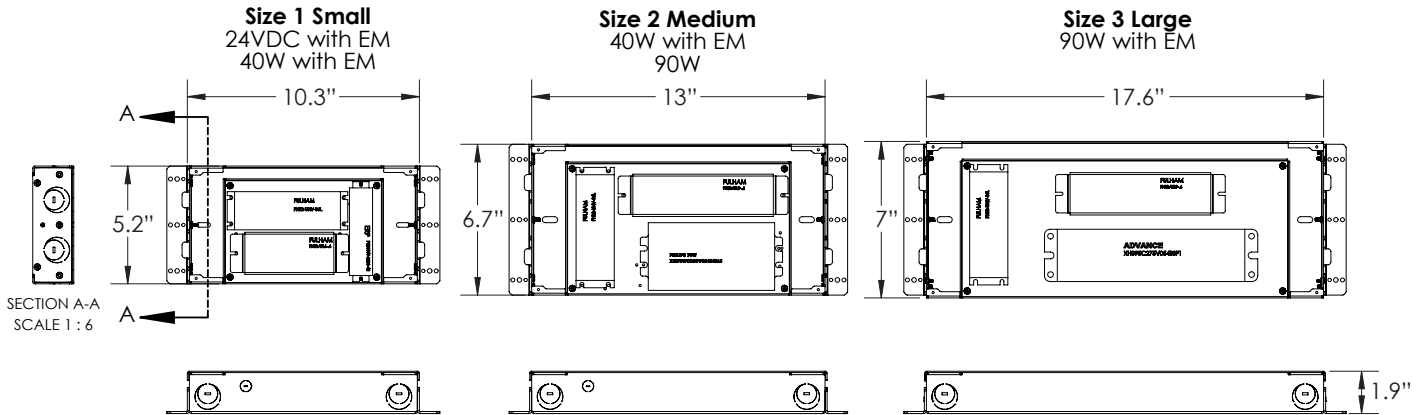
iti illuminations testing labroatory : Report #101

Due to continuous development and improvements, specifications are subject to change without notice. FC Lighting reserves the right to change lab test details or specifications without notice. Product use certifies agreement to FC terms and conditions.

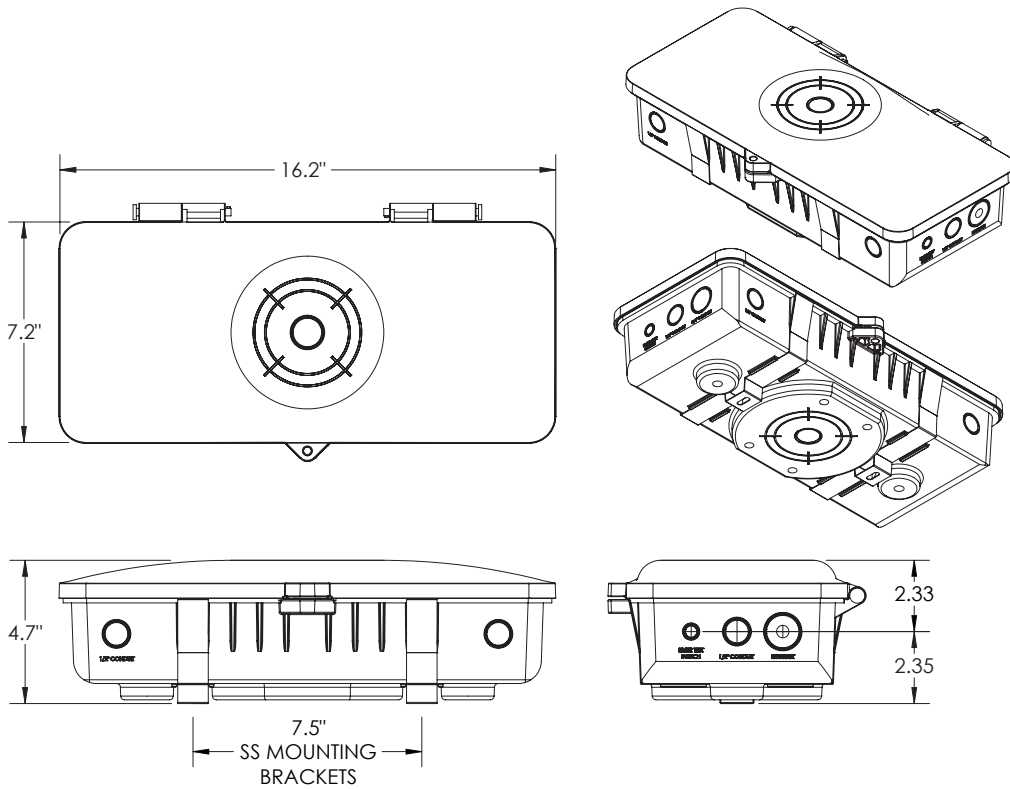
US Commercial Lighting Manufacturer Since 1982

BATTERY BACK-UPS

BBUR - BATTERY BACK-UP & LED DRIVER REMOTE (INDOOR), IP20, IK08, NEMA 1, 0°C to +48°C, 30' MAX Distance with 12AWG (w/UNV Option Only)



BBUX - BATTERY BACK-UP & LED DRIVER REMOTE (OUTDOOR), IP67, IK10, NEMA 4X, -20°C to +55°C, 30' MAX Distance with 12AWG (w/UNV Option Only)



Due to continuous development and improvements, specifications are subject to change without notice. FC Lighting reserves the right to change lab test details or specifications without notice. Product use certifies agreement to FC terms and conditions.