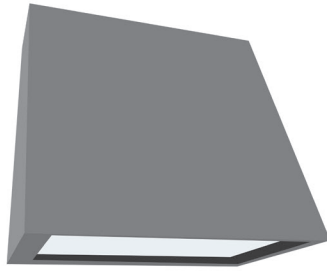


<b>Date:</b>	<b>Approved:</b>
<b>Type:</b>	
<b>Luminaire:</b>	
<b>Project:</b>	

**FCW1010**



**FCW1010** Directional Wall luminaire is IP65 rated and safe for wet locations in down position only. Impact resistant lens and face options to meet the design requirements of your building.



**SPECIFICATIONS**

**PHYSICAL**

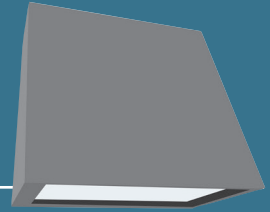
<b>dimensions</b>	12" H x 12" W x 8" D (bottom tapers to 4" D top)
<b>weight</b>	8 lbs
<b>housing</b>	Marine grade, corrosion resistant, heavy gauge, die formed and seam welded aluminum
<b>lens</b>	1/8" thick, clear tempered glass, <b>optional:</b> sand blasted glass lens
<b>mounting</b>	Mounts directly to standard junction box; masonry applications use four (4) 0.25" x 0.75" screws with lead anchors (fasteners not included, j-box by others)
<b>ingress protection</b>	IP65: dry, damp, or wet locations with extruded silicone gasket to seal out contaminants (down position only)
<b>finish</b>	Available in Black, Bronze, Graphite Grey, Silver, White and Custom Colors. Six stage chemical iron phosphate conversion pre-treatment. Polyester powder coat finish, 18 µm minimum, 5,000 hour salt spray test (ASTM B117) compliant with Florida, AAMA 2604 specification.

**PERFORMANCE**

<b>color temperature</b>	2700K, 3000K, 3500K, 4000K
<b>lumen output</b>	1000 lm, 1500 lm, 2000 lm, 3000 lm, 3750 lm
<b>lumen maintenance</b>	L70 > 70,000 hours
<b>color consistency</b>	3 SDCM, <b>standard:</b> 85 CRI, <b>optional:</b> 90 CRI
<b>operating temperature</b>	-13°F to 104°F (-25°C to 40°C)
<b>warranty</b>	5-Year limited warranty

**ELECTRICAL**

<b>input voltage</b>	Universal 120 - 277 VAC, <b>optional:</b> 347 VAC (Integral)
<b>power supply</b>	Integral Class II, electronic, high power factor > 94% @ 120V
<b>certifications</b>	ETL/cETL Listed, CEC Title 24 JA8 compliant (only 90CRI qualifies)
<b>standards</b>	UL1598, CSA C22.2 No. 250.0; UI 8750, CSA C22.2 No. 250.13, IES LM-79, LM-80
<b>power consumption</b>	35W @ 120 - 277 VAC (maximum)
<b>dimming</b>	<b>standard:</b> 0-10V (1%), <b>optional:</b> ELV (120V Only), DMX (Integral), DALI (Integral)



## Ordering Information

### ORDERING INFORMATION

FCW1010										
SERIES	VOLTAGE	CCT	CRI	LUMENS	FINISH	OPTIONS				
<b>FCW1010</b>	<b>UNV</b> UNV 120 - 277 VAC	<b>27K</b> 2700K	<b>CRI85</b> 85 CRI (Standard)	<b>10L</b> 1000 lm (9W Max)	<b>BKE</b> Black	<b>LD</b> 0-10V Dimming (Standard)				
	<b>120V</b> 120 VAC	<b>3K</b> 3000K	<b>CRI90</b> 90 CRI	<b>15L</b> 1500 lm (14W Max)	<b>BRE</b> Bronze	<b>PCL</b> Polycarbonate Lens				
	<b>347V</b> 347 VAC (Integral)	<b>35K</b> 3500K	<b>20L</b> 2000 lm (19W Max)	<b>GRE</b> Graphite Grey	<b>SB</b> Sand-Blasted Lens					
		<b>4K</b> 4000K	<b>30L</b> 3000 lm (28W Max)	<b>SLE</b> Silver	<b>ELV*</b> ELV Dimming *(120V Only)					
		<b>38L</b> 3750 lm (35W Max)	<b>WHE</b> White	<b>DMX</b> DMX Dimming (Integral)						
				<b>CCE</b> Custom Color	<b>DALI</b> DALI Dimming (Integral)					

### REMOTE DRIVER & BATTERY BACKUP

FCW1010R									
SERIES	VOLTAGE	CCT	LUMENS	CRI	FINISH	OPTIONS			
<b>FCW1010R<sup>†</sup></b>	<b>UNV</b> UNV 120 - 277 VAC	<b>27K</b> 2700K	<b>10L</b> 1000 lm (9W Max)	<b>CRI85</b> 85 CRI (Standard)	<b>BKE</b> Black	<b>LD</b> 0-10V Dimming (Standard)			
	<b>120V</b> 120 VAC	<b>3K</b> 3000K	<b>15L</b> 1500 lm (14W Max)	<b>CRI90</b> 90 CRI	<b>BRE</b> Bronze	<b>PCL</b> Polycarbonate Lens			
	<b>347V</b> 347 VAC (Integral)	<b>35K</b> 3500K	<b>20L</b> 2000 lm (19W Max)	<b>GRE</b> Graphite Grey	<b>SB</b> Sand-Blasted Lens				
		<b>4K</b> 4000K	<b>30L</b> 3000 lm (28W Max)	<b>SLE</b> Silver	<b>ELV*</b> ELV Dimming *(120V Only)				
		<b>38L</b> 3750 lm (35W Max)	<b>WHE</b> White	<b>BBUR<sup>1</sup></b> Battery Backup Remote (Indoor)					
				<b>CCE</b> Custom Color	<b>BBUX<sup>2</sup></b> Battery Backup Remote (Outdoor)				
						<b>N/A</b> Leave Blank for Remote Driver Only (without Battery Backup)			

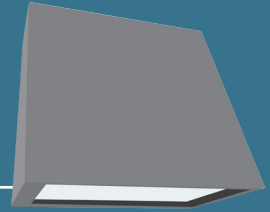
<sup>†</sup> LED Driver Remote (Indoor), IP20, IK08, NEMA 1, -20 to 50°C (-4 to 131°F), 30 FT Maximum Distance with 12AWG.

\*Consult factory for outdoor remote driver only.

<sup>1</sup> Battery Back-up & LED Driver Remote (Indoor), IP20, IK08, NEMA 1, 0° to 48°C (32° to 118°F), 30 FT Maximum Distance with 12AWG (with UNV Option Only), 500 Lumens Nominal (w/ UNV Option Only)

<sup>2</sup> Battery Back-up & LED Driver Remote (Outdoor), IP67, IK10, NEMA 4X, -20 to 55°C (-4 to 131°F), 30 FT Maximum Distance with 12AWG (with UNV Option Only), 600 Lumens Nominal





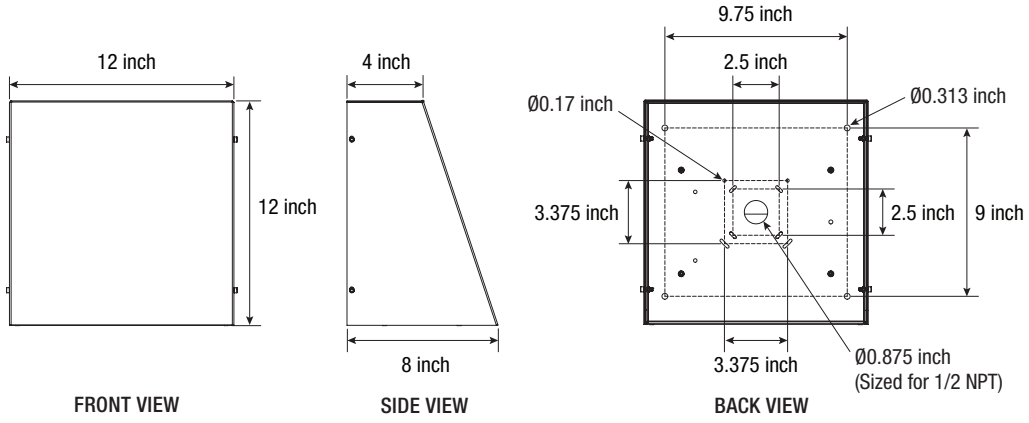
# Physical

**PRODUCT DIMENSIONS - STANDARD PRODUCT** | **MOUNTING - j-box sold by others**

<b>height</b>	12" H
<b>width</b>	12" W
<b>depth</b>	8" D bottom tapers to 4" D top

<b>mounting plate width</b>	10" W
<b>mounting plate height</b>	10" H

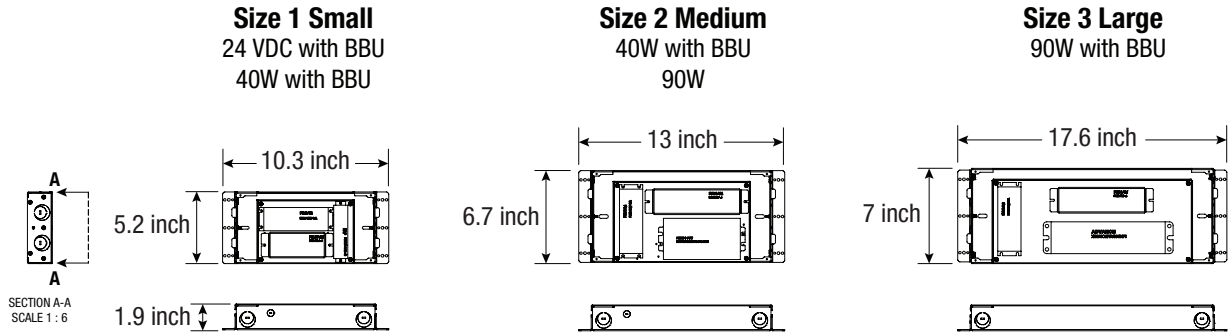
mounting plate:  
mounts flush to j-box  
surface and is included  
with luminaire





# Battery Backup

**BBUR** — Battery Backup & LED Driver Remote (Indoor), IP20, IK08, NEMA 1, 0 to 48 °C (32 to 118 °F), 30 feet Maximum Distance with 12 AWG (with UNV Option Only)



**BBUX** — Battery Backup & LED Driver Remote (Outdoor), IP67, IK10, NEMA 4X, -20 to 55 °C (-4 to 131 °F), 30 feet Maximum Distance with 12AWG (with UNV Option Only)

