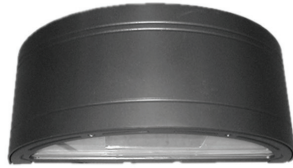


Date:	Approved:
Type:	
Fixture:	
Project:	

FCW1034

Up, 18" Wide single direction
Die-Cast Aluminum Exterior
Architectural Wall Mount.



ORDERING

MODEL	VOLTAGE	CCT	LUMENS	FINISH	OPTICS	OPTIONS
FCW1034 Down	120V	27K 2700K	10L 1000 lm (10.3W)	BKE Black	DSP Spot	LD 0-10V Dimming
	277V	3K 3000K	13L 1325 lm (13.6W)	BRE Bronze	DNFL Narrow Flood	F Fuse
	347V	35K 3500K	18L 1750 lm (18W)	GRE Graphite Grey	DFL Flood	
		4K 4000K		SLE Silver	DWFL Wide Flood	
				WHE White		
				CCE Custom Color		

REMOTE DRIVER & BATTERY BACKUP

ORDERING

MODEL	VOLTAGE	CCT	LUMENS	FINISH	OPTICS	OPTIONS
FCW1034R[†] Down	UNV 120 - 277 VAC	27K 2700K	10L 1000 lm (10.3W)	BKE Black	USP Spot	LD 0-10V Dimming
		3K 3000K	13L 1325 lm (13.6W)	BRE Bronze	UNFL Narrow Flood	F Fuse
		35K 3500K	18L 1750 lm (18W)	GRE Graphite Grey	UFL Flood	BBUR¹ Battery Backup Remote (Indoor)
		4K 4000K		SLE Silver	UWFL Wide Flood	BBUX² Battery Backup Remote (Outdoor)
				WHE White		N/A Leave Blank for Remote Driver Only (without Battery Backup)
				CCE Custom Color		

[†] LED DRIVER REMOTE (INDOOR) IP20, IK08, NEMA 1, -20°C to +50°C, 30' MAX Distance with 12AWG.

*Consult factory for outdoor remote driver only.

¹ Battery Back-up & LED Driver Remote (INDOOR), IP20, IK08, NEMA 1, 0°C to +48°C, 30' MAX Distance with 12AWG (w/UNV Option Only)

² Battery Back-up & LED Driver Remote (OUTDOOR), IP67, IK10, NEMA 4X, -20°C to +55°C, 30' MAX Distance with 12AWG (w/UNV Option Only)

SPECIFICATION

MOUNTING

- Mounts directly to standard outlet box. Additional mounting holes allow unit to be attached directly to mounting surface.
- Can be used as an up light.

CONSTRUCTION

- Marine grade, corrosion resistant, heavy walled, high pressure die-cast aluminum. Die-cast back mounting plate.
- Impact resistant, clear, tempered glass. Precision formed semi-specular aluminum for maximum reflectance.
- Rubber silicone to seal contaminants. Captive stainless steel, tamper resistant hex socket screws.

LED

- Lumens stated are the minimum delivered out of the luminaire. LED lifetime is greater than or equal to 70,000 hours with the lumen depreciation greater than L70. All of our luminaires are tested to LM 80 with an 80 CRI, color consistency of 4 SDCM. Integral power supply standard. Input voltage 120V or 277V. Consult factory for dimming and any single color options. FCW1035 delivers the same lumens each direction, up and down.

FINISH

- Six stage chemical iron phosphate conversion pre-treatment. Polyester powder coat finish, 18 µm Min., 5000hr salt spray test (ASTM B117) compliant with Florida / AAMA 2604 specification.

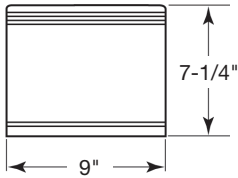
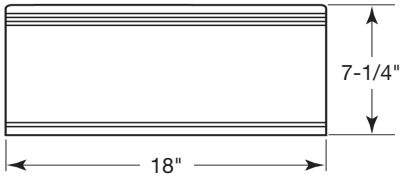
LISTING

- UL & cUL/ETL, U.S. and CA listed for wet locations. IP65 rating.

Due to continuous development and improvements, specifications are subject to change without notice. FC Lighting reserves the right to change lab test details or specifications without notice. Product use certifies agreement to FC Lighting terms and conditions. FCC Series Cylinder Lights are engineered and produced in our Illinois manufacturing facility.

Dimensions

FCW1034



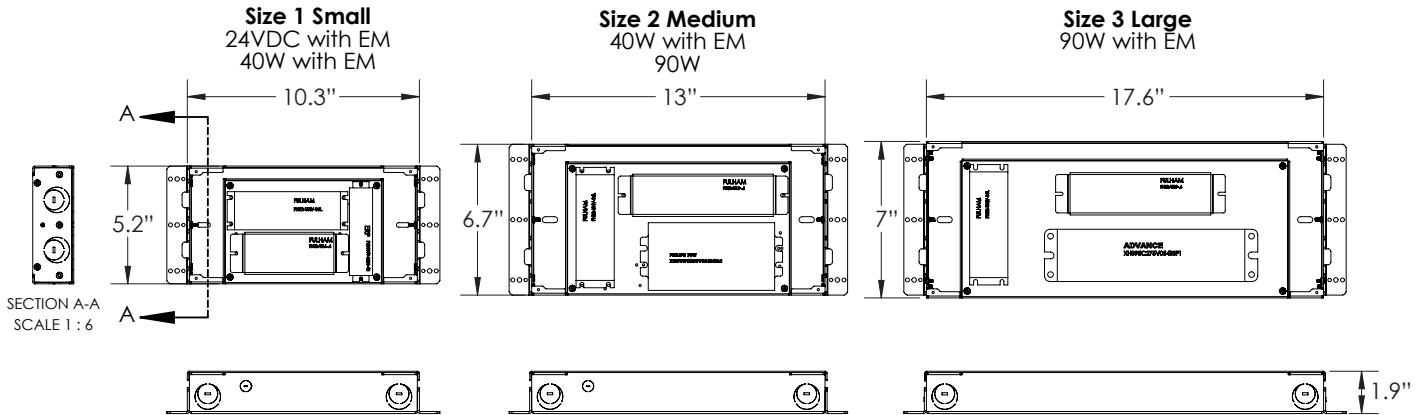
Due to continuous development and improvements, specifications are subject to change without notice. FC Lighting reserves the right to change lab test details or specifications without notice. Product use certifies agreement to FC Lighting terms and conditions. FCC Series Cylinder Lights are engineered and produced in our Illinois manufacturing facility.

 US Commercial Lighting Manufacturer Since 1982

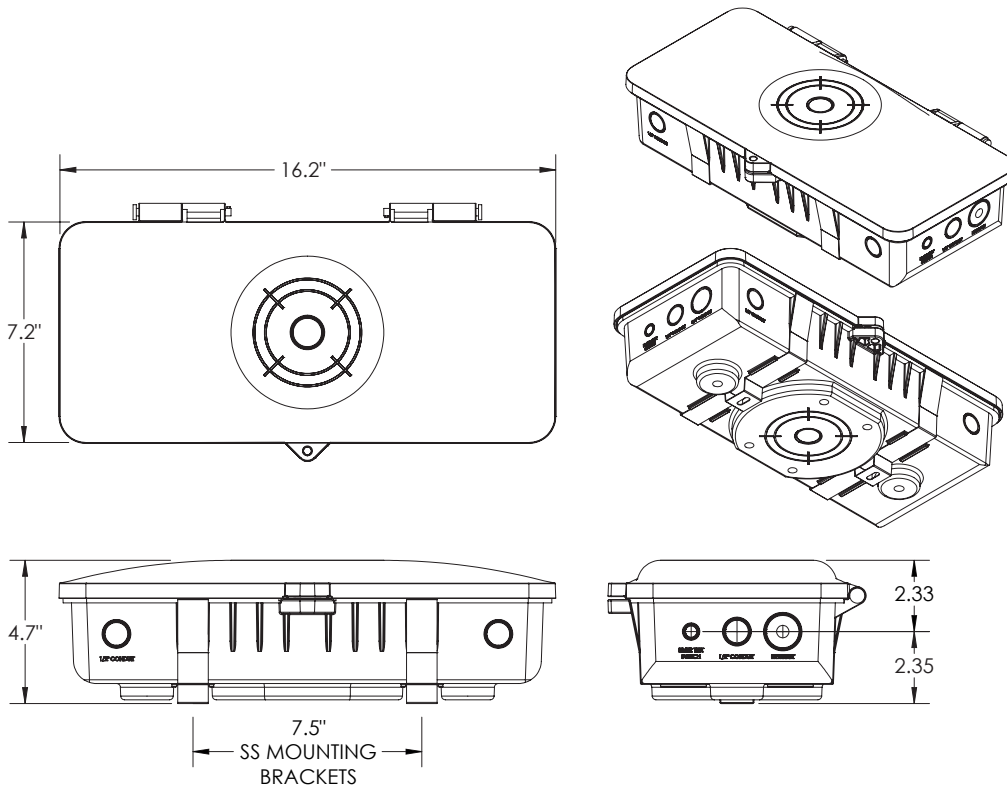
Specification Sheet

BATTERY BACK-UPS

BBUR - BATTERY BACK-UP & LED DRIVER REMOTE (INDOOR), IP20, IK08, NEMA 1, 0°C to +48°C, 30' MAX Distance with 12AWG (w/UNV Option Only)



BBUX - BATTERY BACK-UP & LED DRIVER REMOTE (OUTDOOR), IP67, IK10, NEMA 4X, -20°C to +55°C, 30' MAX Distance with 12AWG (w/UNV Option Only)



Due to continuous development and improvements, specifications are subject to change without notice. FC Lighting reserves the right to change lab test details or specifications without notice. Product use certifies agreement to FC Lighting terms and conditions. FCC Series Cylinder Lights are engineered and produced in our Illinois manufacturing facility.