

<b>Date:</b>	<b>Approved:</b>
<b>Type:</b>	
<b>Luminaire:</b>	
<b>Project:</b>	

## FCW3050



**FCW3050** Exterior Decor luminaire is a 10-inch round, IP65 rated, ADA compliant, easy to install luminaire that has an impact resistant lens and face options to meet the design requirements of your building. This round face luminaire in the FC Lighting Exterior Decor line of products can be ceiling, wall or surface mounted.



### SPECIFICATIONS

#### PHYSICAL

<b>dimensions</b>	10.4" Ø x 3.9" Deep
<b>weight</b>	4 lbs
<b>housing</b>	Marine grade, corrosion resistant, heavy gauge high pressure die-cast aluminum; captive stainless steel tamper resistant hex head socket screws
<b>lens</b>	Impact resistant, UV stabilized, white polycarbonate diffuser
<b>mounting</b>	Masonry applications use four (4) 0.25" x 0.75" screws with lead anchors (fasteners not included, j-box by others)
<b>ingress protection</b>	IP65 Rated. Suitable for wet, damp or dry location application, with extruded silicone gasket to seal out contaminants
<b>finish</b>	Available in Black, Bronze, Graphite Grey, Silver, White and Custom Colors. Six stage chemical iron phosphate conversion pre-treatment. Polyester powder coat finish, 18 µm minimum thickness, 5,000 hours salt spray test (ASTM B117) compliant with Florida, AAMA 2604 specification.

#### PERFORMANCE

<b>color temperature</b>	2700K, 3000K, 3500K, 4000K, 5000K
<b>lumen output (@ 4K-CRI85)</b>	1200 lm, 1900 lm, 2500 lm, 3600 lm
<b>lumen maintenance</b>	L70 > 72,000 hours
<b>color consistency</b>	3 SDCM / Standard: 85 CRI, Optional: 90 CRI
<b>operating temperature</b>	-13°F to 104°F (-25°C to 40°C)
<b>warranty</b>	5-Year limited warranty

#### ELECTRICAL

<b>input voltage</b>	Universal 120 - 277 VAC, <b>Optional:</b> 347 VAC (Integral)
<b>power supply</b>	Integral Class II, electronic high-power factor > 94% @120V
<b>certifications</b>	ETL/cETL Listed, CEC Title 24 JA8 compliant (only 90 CRI complies), ADA Compliant
<b>standards</b>	UL 1598, CSA C22.2 No. 250.0 - Class II, IES LM-79 / LM-80
<b>power consumption</b>	43W @ 120 - 277 VAC (Maximum)
<b>dimming</b>	<b>Standard:</b> 0-10V (1%), <b>Optional:</b> ELV (120V Only), DMX (Remote Only), DALI (Remote Only)

Due to continuous development and improvements, specifications are subject to change without notice. FC Lighting reserves the right to change lab test details or specifications without notice. Product use certifies agreement to FC Lighting terms and conditions. FCC Series Cylinder Lights are engineered and produced in our Illinois manufacturing facility.



# Ordering Information

## ORDERING INFORMATION

### INTEGRAL DRIVER

FCW3050							
SERIES	VOLTAGE	CCT	CRI	LUMENS	FINISH	OPTIONS	
<b>FCW3050</b>	<b>UNV</b> 120 - 277 VAC	<b>27K</b> 2700K	<b>CRI85</b> 85 CRI	<b>12L</b> 1200 lm (14W)	<b>BKE</b> Black	<b>LD</b> 0-10V Dimming, 1% (Standard)	
	<b>120V</b> 120 VAC (SP20)	<b>3K</b> 3000K	<b>CRI90</b> 90 CRI	<b>19L</b> 1900 lm (22W)	<b>BRE</b> Bronze	<b>TPS</b> Tamper Proof Screws	
	<b>277V</b> 277 VAC (SP20)	<b>35K</b> 3500K		<b>25L</b> 2500 lm (29W)	<b>GRE</b> Graphite Grey	<b>F</b> Fuse Line (1 Fuse with LED Driver)	
	<b>347V</b> 347 VAC (SP20)	<b>4K</b> 4000K		<b>36L</b> 3600 lm (43W)	<b>SLE</b> Silver	<b>CSM</b> Conduit Surface Mount	
		<b>5K</b> 5000K			<b>WHE</b> White	<b>SP20</b> 20kV Surge Protector (1 SP20 with LED Driver) <sup>1</sup>	
					<b>CCE</b> Custom Color		

<sup>1</sup> Specify Voltage — 120V, 277V, or 347V.

### REMOTE DRIVER & BATTERY BACKUP

FCW3050R							
SERIES	VOLTAGE	CCT	CRI	LUMENS	FINISH	OPTIONS	
<b>FCW3050R</b> <sup>†</sup>	<b>UNV</b> 120 - 277 VAC	<b>27K</b> 2700K	<b>CRI85</b> 85 CRI	<b>12L</b> 1200 lm (14W)	<b>BKE</b> Black	<b>LD</b> 0-10V Dimming, 1% (Standard)	
	<b>120V</b> 120 VAC (SP20 &/or ELV)	<b>3K</b> 3000K	<b>CRI90</b> 90 CRI	<b>19L</b> 1900 lm (22W)	<b>BRE</b> Bronze	<b>ELV</b> ELV Dimming (120V Only)	
	<b>277V</b> 277 VAC (SP20)	<b>35K</b> 3500K		<b>25L</b> 2500 lm (29W)	<b>GRE</b> Graphite Grey	<b>DMX</b> DMX Dimming (Remote Only)	
		<b>4K</b> 4000K		<b>36L</b> 3600 lm (43W)	<b>SLE</b> Silver	<b>DALI</b> DALI Dimming (Remote Only)	
		<b>5K</b> 5000K			<b>WHE</b> White	<b>TPS</b> Tamper Proof Screws	
				<b>CCE</b> Custom Color	<b>F</b> Fuse Line (1 Fuse with LED Driver, 2 Fuses with BBUR & BBUX Options)		
					<b>CSM</b> Conduit Surface Mount	<b>BBUR</b> Battery Backup & LED Driver Remote (Indoor), 40W, IP20, IK08, NEMA 1, 0° to 48 °C (32° to 118 °F), 30 FT Maximum Distance with 12AWG (w/ UNV Option Only), 500 Lumens Nominal	
						<b>SP20-BBUR</b> 20kV Surge Protector (1 SP20 with LED Driver, 1 SP20 with BBUR) & Battery Backup, Remote (Indoor) <sup>1</sup>	
						<b>DRR</b> LED Driver Only Remote (Indoor)	
						<b>BBUX</b> Battery Backup & LED Driver Remote (Outdoor), IP67, IK10, NEMA 4X, -20° to 55°C (-4° to 131°F), 30 FT Maximum Distance with 12AWG (w/ UNV Option Only), 600 Lumens Nominal	
						<b>SP20-BBUX</b> 20kV Surge Protector (1 SP20 with LED Driver, 1 SP20 with BBUX) & Battery Backup, Remote (Outdoor) <sup>1</sup>	
						<b>DRX</b> LED Driver Only Remote (Outdoor)	

<sup>†</sup> LED DRIVER REMOTE (INDOOR) IP20, IK08, NEMA 1, -20°C to +50°C, 30' MAX Distance with 12AWG.  
<sup>1</sup> Specify Voltage — 120V or 277V.

### Consult Factory for other options and configurations.

To ensure you receive proper configurations for your lighting specifications, contact us directly about any unique application requirements. This may include but not be limited to lumen output, mounting needs, or electrical requirements.

Due to continuous development and improvements, specifications are subject to change without notice. FC Lighting reserves the right to change lab test details or specifications without notice. Product use certifies agreement to FC Lighting terms and conditions. FCC Series Cylinder Lights are engineered and produced in our Illinois manufacturing facility.



# Dimensions

PRODUCT DIMENSIONS - STANDARD PRODUCT		MOUNTING - <i>j-box sold by others</i>	
width	10.4" Ø	mounting plate width	10.1" W
depth	3.9" D		j-box mounting plate: mounts flush to surface and is included with luminaire

Ø10.4 inch

FRONT VIEW

3.9 inch

10.4 inch

SIDE VIEW

10.1 inch

9 inch

4.5 inch

### CONDUIT SURFACE MOUNT (CSM)

Junction Box

6.5 inch

6.5 inch

Ø11 inch

TOP VIEW

1.81 inch

SIDE VIEW

Junction Box

3.5 inch

Ø4 inch

TOP VIEW

1.625 inch

SECTION A-A

SIDE VIEW

Due to continuous development and improvements, specifications are subject to change without notice. FC Lighting reserves the right to change lab test details or specifications without notice. Product use certifies agreement to FC Lighting terms and conditions. FCC Series Cylinder Lights are engineered and produced in our Illinois manufacturing facility.



# Photometry

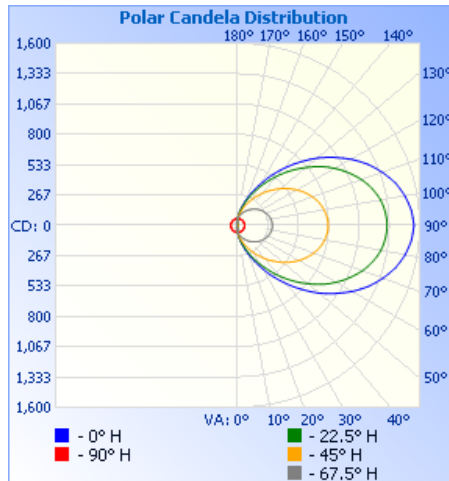
## OPTICAL DISTRIBUTION

<b>lumen output</b>	3600 lm @ 4000K
<b>power consumption</b>	43W

	Illuminance at a Distance	
	Center Beam fc	Beam Width
1.7R	20.9 fc	3.5 ft 3.5 ft
3.3R	5.54 fc	6.8 ft 6.8 ft
5.0R	2.41 fc	10.3 ft 10.3 ft
6.7R	1.34 fc	13.8 ft 13.8 ft
8.3R	0.88 fc	17.1 ft 17.1 ft
10.0R	0.60 fc	20.6 ft 20.6 ft

■ Vert. Spread: 91.6°  
■ Horiz. Spread: 91.6°

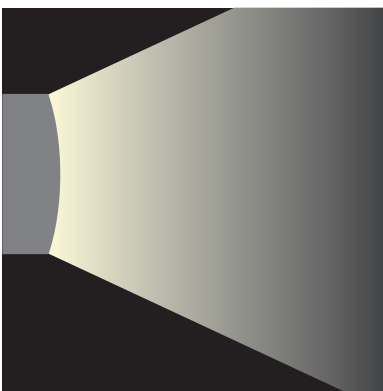
**iti illuminations testing laboratory :**



COLOR	MULTIPLIER
80 CRI - 2700K CCT	0.89
80 CRI - 3000K CCT	0.96
80 CRI - 3500K CCT	0.96
80 CRI - 4000K CCT	1.00
80 CRI - 5000K CCT	1.00
90 CRI - 2700K CCT	0.70
90 CRI - 3000K CCT	0.70
90 CRI - 3500K CCT	0.78
90 CRI - 4000K CCT	0.78
90 CRI - 5000K CCT	0.78

## FCW3050

FIND IES FILES ON [FCLIGHTING.COM](http://FCLIGHTING.COM)



Due to continuous development and improvements, specifications are subject to change without notice. FC Lighting reserves the right to change lab test details or specifications without notice. Product use certifies agreement to FC Lighting terms and conditions. FCC Series Cylinder Lights are engineered and produced in our Illinois manufacturing facility.

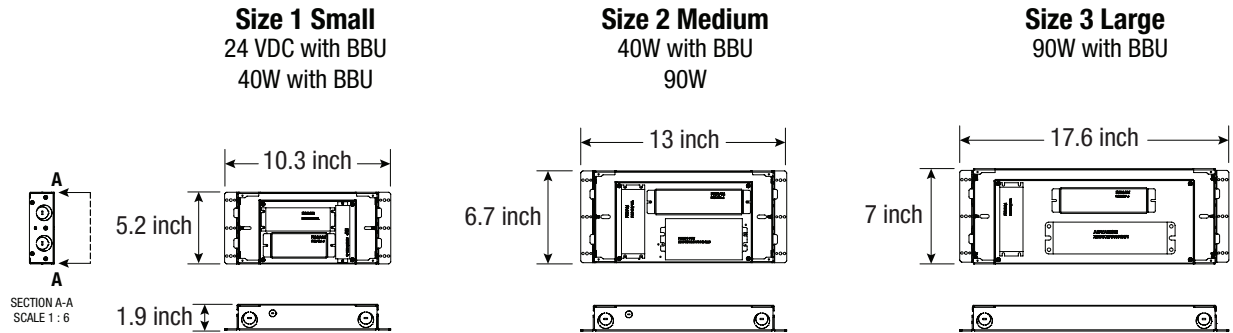
US Commercial Lighting Manufacturer Since 1982

**Specification Sheet**

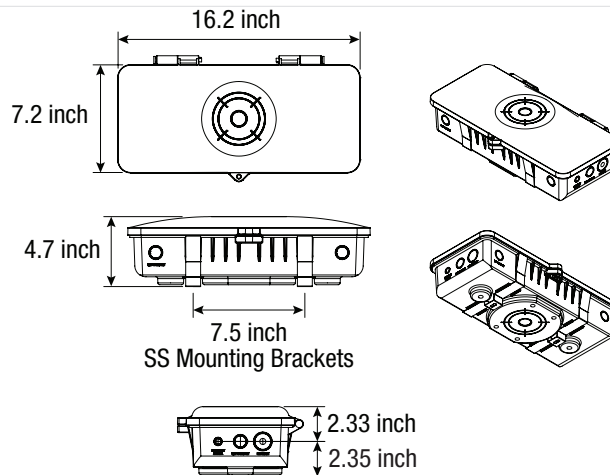


# Battery Backups

**BBUR** — Battery Backup & LED Driver Remote (Indoor), IP20, IK08, NEMA 1, 0 to 48 °C (32 to 118 °F), 30 feet Maximum Distance with 12 AWG (with UNV Option Only)



**BBUX** — Battery Backup & LED Driver Remote (Outdoor), IP67, IK10, NEMA 4X, -20 to 55 °C (-4 to 131 °F), 30 feet Maximum Distance with 12AWG (with UNV Option Only)



Due to continuous development and improvements, specifications are subject to change without notice. FC Lighting reserves the right to change lab test details or specifications without notice. Product use certifies agreement to FC Lighting terms and conditions. FCC Series Cylinder Lights are engineered and produced in our Illinois manufacturing facility.