

## FCW3052



**FCW3052** Exterior Decor luminaire is a 10 inch round, IP65 rated, ADA compliant, easy to install luminaire that has an impact resistant lens and face options to meet the design requirements of your building. This round face luminaire in the FC Lighting Exterior Decor line of products can be ceiling, wall or surface mounted.



### SPECIFICATIONS

#### PHYSICAL

<b>dimensions</b>	10.4" Ø x 4.1" Deep
<b>weight</b>	4 lbs
<b>housing</b>	Marine grade, corrosion resistant, heavy gauge high pressure die-cast aluminum; captive stainless steel tamper resistant hex head socket screws
<b>lens</b>	Impact resistant, UV stabilized, white polycarbonate diffuser
<b>mounting</b>	Masonry applications use four (4) 0.25" x 0.75" screws with lead anchors (fasteners not included, j-box by others)
<b>ingress protection</b>	IP65 Rated. Suitable for wet, damp or dry location application, with extruded silicone gasket to seal out contaminants
<b>finish</b>	Six stage chemical iron phosphate conversion pre-treatment. Polyester powder coat finish, 18 µm minimum thickness, 5,000 hour salt spray test (ASTM B117) compliant with Florida, AAMA 2604 specification.

#### PERFORMANCE

<b>color temperature</b>	2700K, 3000K, 3500K, 4000K
<b>lumen output</b>	800 lm, 1100 lm, 1600 lm, 2100 lm
<b>lifetime</b>	L70 >72,000 hours
<b>color consistency</b>	3 SDCM / standard: 85 CRI, optional: 90 CRI
<b>operating temperature</b>	-13°F to 104°F (-25°C to 40°C)
<b>junction temperature</b>	73°C @ T <sup>a</sup> 25°C
<b>warranty</b>	5-Year limited warranty

#### ELECTRICAL

<b>input voltage</b>	Universal 120 - 277 VAC, Optional: 347VAC (Integral)
<b>power supply</b>	Integral Class II, electronic high-power factor > 94% @120V
<b>certifications</b>	ETL/cETL Listed, CEC Title 24 JA8 compliant (only 90 CRI complies), ADA Compliant
<b>standards</b>	UL 1598, CSA C22.2 No. 250.0 - Class II, IES LM-79 / LM-80
<b>power consumption</b>	43W @ 120V - 277V (Maximum)
<b>dimming</b>	Standard: 0-10V (1%), Optional: ELV (120V only), DMX (Remote Only), DALI (Remote Only)

Due to continuous development and improvements, specifications are subject to change without notice. FC Lighting reserves the right to change lab test details or specifications without notice. Product use certifies agreement to FC Lighting terms and conditions. FCC Series Cylinder Lights are engineered and produced in our Illinois manufacturing facility.



# Ordering Information

## ORDERING INFORMATION

FCW3052							
SERIES	VOLTAGE	CCT	CRI	LUMENS	FINISH	OPTIONS	
FCW3052	UNV	UNV 120V-277V	27K 2700K	CRI85 85 CRI (Standard)	8L 800 lm (15W)	BKE Black (AAMA 2604)	LD 0-10V Dimming, 1% (Standard)
	120V	120 Volts	3K 3000K	CRI90 90 CRI	11L 1100 lm (21.5W)	BRE Bronze (AAMA 2604)	ELV ELV Dimming (120V Only)
	347V	347V (Integral)	35K 3500K		16L 1600 lm (29W)	GRE Graphite Grey (AAMA 2604)	DMX DMX Dimming (Remote Only)
			4K 4000K		23L 2100 lm (43W)	SLE Silver (AAMA 2604)	DALI DALI Dimming (Remote Only)
					WHE White (AAMA 2604)	TPS Tamper Proof Screws	
					CCE Custom Color (AAMA 2604)	F Fused Line (For Driver Only)	
						CSM Conduit Surface Mount Box	
						SP20 20kV Surge Protector	

## REMOTE DRIVER & BATTERY BACKUP

FCW3052R	UNV						
SERIES	VOLTAGE	CCT	CRI	LUMENS	FINISH	OPTIONS	
FCW3052R <sup>†</sup>	UNV	UNV 120V-277V	27K 2700K	CRI85 85 CRI (Standard)	8L 800 lm (15W)	BKE Black (AAMA 2604)	LD 0-10V Dimming, 1% (Standard)
			3K 3000K	CRI90 90 CRI	11L 1100 lm (21.5W)	BRE Bronze (AAMA 2604)	ELV ELV Dimming (120V Only)
			35K 3500K		16L 1600 lm (29W)	GRE Graphite Grey (AAMA 2604)	DMX DMX Dimming (Remote Only)
			4K 4000K		23L 2100 lm (43W)	SLE Silver (AAMA 2604)	DALI DALI Dimming (Remote Only)
					WHE White (AAMA 2604)	TPS Tamper Proof Screws	
					CCE Custom Color (AAMA 2604)	F Fused Line (For Driver Only)	
						CSM Conduit Surface Mount Box	
						BBUR <sup>1</sup> Battery Backup Remote (Indoor)	
						SP20-BBUR (2) 20kV Surge Protectors (1/LED Driver, 1/BBUR) & Battery Backup, Remote (Indoor)	
						BBUX <sup>2</sup> Battery Backup Remote (Outdoor)	
						SP20-BBUX (2) 20kV Surge Protectors (1/LED Driver, 1/BBU) & Battery Backup, Remote (Outdoor)	
						N/A Leave Blank for Remote Driver Only (without Battery Backup)	

<sup>†</sup> LED DRIVER REMOTE (INDOOR) IP20, IK08, NEMA 1, -20°C to +50°C, 30' MAX Distance with 12AWG.

\*Consult factory for outdoor remote driver only.

<sup>1</sup> Battery Back-up & LED Driver Remote (INDOOR), IP20, IK08, NEMA 1, 0°C to +48°C, 30' MAX Distance with 12AWG (w/UNV Option Only)

<sup>2</sup> Battery Back-up & LED Driver Remote (OUTDOOR), IP67, IK10, NEMA 4X, -20°C to +55°C, 30' MAX Distance with 12AWG (w/UNV Option Only)

### Consult Factory for other options and configurations.

To ensure you receive proper configurations for your lighting specifications, contact us directly about any unique application requirements. This may include but not be limited to lumen output, mounting needs, or electrical requirements.

Due to continuous development and improvements, specifications are subject to change without notice. FC Lighting reserves the right to change lab test details or specifications without notice. Product use certifies agreement to FC Lighting terms and conditions. FCC Series Cylinder Lights are engineered and produced in our Illinois manufacturing facility.



# Dimensions

PRODUCT DIMENSIONS - STANDARD PRODUCT		MOUNTING - <i>j-box sold by others</i>	
width	10.4" Ø	mounting plate width	10.1" W
depth	4.1" D	j-box mounting plate: mounts flush to surface and is included with luminaire	

FRONT VIEW      SIDE VIEW

### CONDUIT SURFACE MOUNT (CSM)

TOP VIEW

SIDE VIEW

TOP VIEW

SIDE VIEW

Due to continuous development and improvements, specifications are subject to change without notice. FC Lighting reserves the right to change lab test details or specifications without notice. Product use certifies agreement to FC Lighting terms and conditions. FCC Series Cylinder Lights are engineered and produced in our Illinois manufacturing facility.



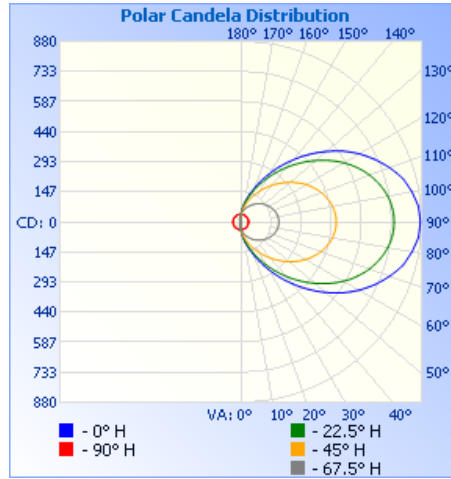
# Photometry

## OPTICAL DISTRIBUTION

<b>lumen output</b>	2100 lm @ 4000K
<b>power consumption</b>	43W

Illuminance at a Distance			
	Center Beam fc	Beam Width	
1.7R	13.0 fc	3.6 ft	3.6 ft
3.3R	3.45 fc	7.1 ft	7.1 ft
5.0R	1.50 fc	10.7 ft	10.7 ft
6.7R	0.84 fc	14.4 ft	14.4 ft
8.3R	0.55 fc	17.8 ft	17.8 ft
10.0R	0.38 fc	21.4 ft	21.4 ft

■ Vert. Spread: 94.0°  
■ Horiz. Spread: 94.0°



illuminations testing laboratory :

FCW3052

FIND IES FILES ON FCLIGHTING.COM



Due to continuous development and improvements, specifications are subject to change without notice. FC Lighting reserves the right to change lab test details or specifications without notice. Product use certifies agreement to FC Lighting terms and conditions. FCC Series Cylinder Lights are engineered and produced in our Illinois manufacturing facility.

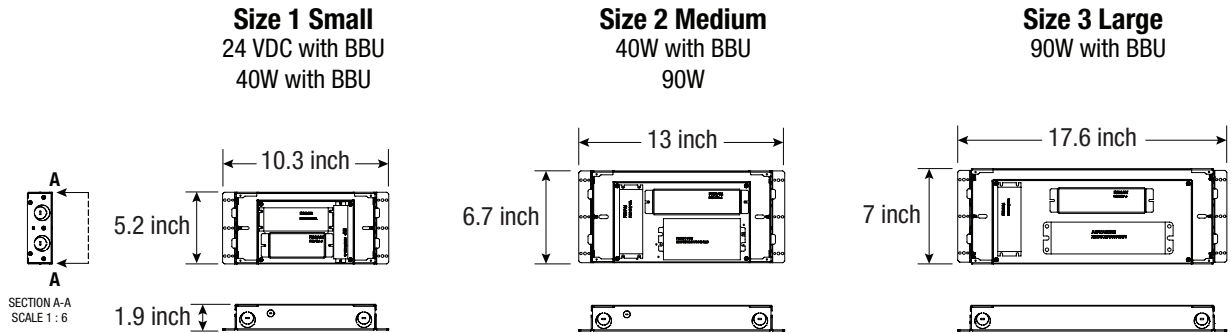
US Commercial Lighting Manufacturer Since 1982

Specification Sheet

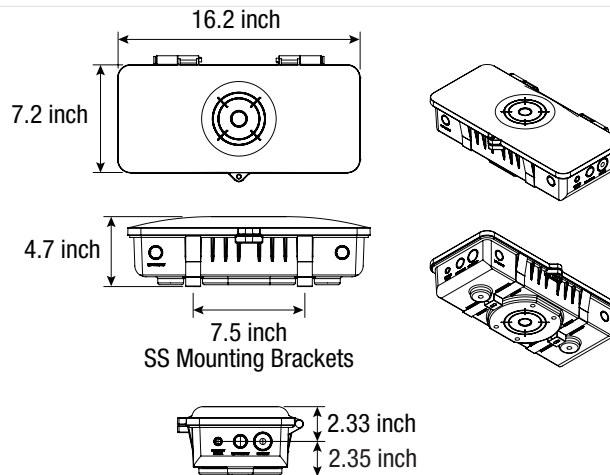


# Battery Backups

**BBUR** — Battery Backup & LED Driver Remote (Indoor), IP20, IK08, NEMA 1, 0 to 48 °C (32 to 118 °F), 30 feet Maximum Distance with 12 AWG (with UNV Option Only)



**BBUX** — Battery Backup & LED Driver Remote (Outdoor), IP67, IK10, NEMA 4X, -20 to 55 °C (-4 to 131 °F), 30 feet Maximum Distance with 12AWG (with UNV Option Only)



Due to continuous development and improvements, specifications are subject to change without notice. FC Lighting reserves the right to change lab test details or specifications without notice. Product use certifies agreement to FC Lighting terms and conditions. FCC Series Cylinder Lights are engineered and produced in our Illinois manufacturing facility.