

FCW3055



Date:	Approved:
Type:	
Luminaire:	
Project:	

FCW3055 Exterior Decor luminaire is a 10-inch round, IP65 rated, ADA compliant, easy to install luminaire that has an impact resistant lens and face options to meet the design requirements of your building. This round face luminaire in the FC Lighting Exterior Decor line of products can be ceiling, wall or surface mounted.



SPECIFICATIONS

PHYSICAL

dimensions	10.4" Ø x 4.1" Deep
weight	4 lbs
housing	Marine grade, corrosion resistant, heavy gauge high pressure die-cast aluminum; captive stainless steel tamper resistant hex head socket screws
lens	Impact resistant, UV stabilized, white polycarbonate diffuser
mounting	Masonry applications use four (4) 0.25" x 0.75" screws with lead anchors (fasteners not included, j-box by others)
ingress protection	IP65 Rated. Suitable for wet, damp or dry location application, with extruded silicone gasket to seal out contaminants
finish	Available in Black, Bronze, Graphite Grey, Silver, White and Custom Colors. Six stage chemical iron phosphate conversion pre-treatment. Polyester powder coat finish, 18 µm minimum thickness, 5,000 hours salt spray test (ASTM B117) compliant with Florida, AAMA 2604 specification.

PERFORMANCE

color temperature	2700K, 3000K, 3500K, 4000K, 5000K
lumen output (@ 4K-CRI85)	800 lm, 1100 lm, 1550 lm, 2300 lm
lumen maintenance	L70 > 72,000 hours
color consistency	3 SDCM / Standard: 85 CRI, Optional: 90 CRI
operating temperature	-13°F to 104°F (-25°C to 40°C)
warranty	5-Year limited warranty

ELECTRICAL

input voltage	Universal 120 - 277 VAC, Optional: 347 VAC (Integral)
power supply	Integral Class II, electronic high-power factor > 94% @120V
certifications	ETL/cETL Listed, CEC Title 24 JA8 compliant (only 90 CRI complies), ADA Compliant
standards	UL 1598, CSA C22.2 No. 250.0 - Class II, IES LM-79 / LM-80
power consumption	43W @ 120 - 277 VAC (Maximum)
dimming	Standard: 0-10V (1%), Optional: ELV (120V Only), DMX (Remote Only), DALI (Remote Only)

Due to continuous development and improvements, specifications are subject to change without notice. FC Lighting reserves the right to change lab test details or specifications without notice. Product use certifies agreement to FC Lighting terms and conditions. FCC Series Cylinder Lights are engineered and produced in our Illinois manufacturing facility.



Ordering Information

ORDERING INFORMATION

INTEGRAL DRIVER

FCW3055							
SERIES	VOLTAGE	CCT	CRI	LUMENS	FINISH	OPTIONS	
FCW3055	UNV	120 - 277 VAC	27K 2700K	CRI85 85 CRI	8L 800 lm (15W)	BKE Black	LD 0-10V Dimming, 1% (Standard)
	120V	120 VAC (SP20)	3K 3000K	CRI90 90 CRI	11L 1100 lm (21.5W)	BRE Bronze	TPS Tamper Proof Screws
	277V	277 VAC (SP20)	35K 3500K		16L 1550 lm (29W)	GRE Graphite Grey	F Fuse Line (1 Fuse with LED Driver)
	347V	347 VAC (SP20)	4K 4000K		23L 2300 lm (43W)	SLE Silver	CSM Conduit Surface Mount
			5K 5000K			WHE White	SP20 20kV Surge Protector (1 SP20 with LED Driver) ¹
					CCE Custom Color		

¹ Specify Voltage — 120V, 277V, or 347V.

REMOTE DRIVER & BATTERY BACKUP

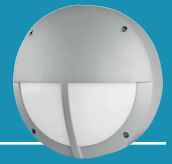
FCW3055R							
SERIES	VOLTAGE	CCT	CRI	LUMENS	FINISH	OPTIONS	
FCW3055R [†]	UNV	120 - 277 VAC	27K 2700K	CRI85 85 CRI	8L 800 lm (15W)	BKE Black	LD 0-10V Dimming, 1% (Standard)
	120V	120 VAC (SP20 &/or ELV)	3K 3000K	CRI90 90 CRI	11L 1100 lm (21.5W)	BRE Bronze	ELV ELV Dimming (120V Only)
	277V	277 VAC (SP20)	35K 3500K		16L 1550 lm (29W)	GRE Graphite Grey	DMX DMX Dimming (Remote Only)
			4K 4000K		23L 2300 lm (43W)	SLE Silver	DALI DALI Dimming (Remote Only)
			5K 5000K			WHE White	TPS Tamper Proof Screws
					CCE Custom Color	F Fuse Line (1 Fuse with LED Driver, 2 Fuses with BBUR & BBUX Options)	
						CSM Conduit Surface Mount	
						BBUR Battery Backup & LED Driver Remote (Indoor), 40W, IP20, IK08, NEMA 1, 0° to 48 °C (32° to 118 °F), 30 FT Maximum Distance with 12AWG (w/ UNV Option Only), 500 Lumens Nominal	
						SP20-BBUR 20kV Surge Protector (1 SP20 with LED Driver, 1 SP20 with BBUR) & Battery Backup, Remote (Indoor) ¹	
						DRR LED Driver Only Remote (Indoor)	
						BBUX Battery Backup & LED Driver Remote (Outdoor), IP67, IK10, NEMA 4X, -20° to 55°C (-4° to 131°F), 30 FT Maximum Distance with 12AWG (w/ UNV Option Only), 600 Lumens Nominal	
						SP20-BBUX 20kV Surge Protector (1 SP20 with LED Driver, 1 SP20 with BBUX) & Battery Backup, Remote (Outdoor) ¹	
						DRX LED Driver Only Remote (Outdoor)	

[†] LED DRIVER REMOTE (INDOOR) IP20, IK08, NEMA 1, -20°C to +50°C, 30' MAX Distance with 12AWG.
¹ Specify Voltage — 120V or 277V.

Consult Factory for other options and configurations.

To ensure you receive proper configurations for your lighting specifications, contact us directly about any unique application requirements. This may include but not be limited to lumen output, mounting needs, or electrical requirements.

Due to continuous development and improvements, specifications are subject to change without notice. FC Lighting reserves the right to change lab test details or specifications without notice. Product use certifies agreement to FC Lighting terms and conditions. FCC Series Cylinder Lights are engineered and produced in our Illinois manufacturing facility.



Dimensions

PRODUCT DIMENSIONS - STANDARD PRODUCT		MOUNTING - <i>j-box sold by others</i>	
width	10.4" Ø	mounting plate width	10.1" W
depth	4.1" D	j-box mounting plate: mounts flush to surface and is included with luminaire	

FRONT VIEW SIDE VIEW

4.5 inch

9 inch

CONDUIT SURFACE MOUNT (CSM)

TOP VIEW

SIDE VIEW

TOP VIEW

SIDE VIEW

Due to continuous development and improvements, specifications are subject to change without notice. FC Lighting reserves the right to change lab test details or specifications without notice. Product use certifies agreement to FC Lighting terms and conditions. FCC Series Cylinder Lights are engineered and produced in our Illinois manufacturing facility.



Photometry

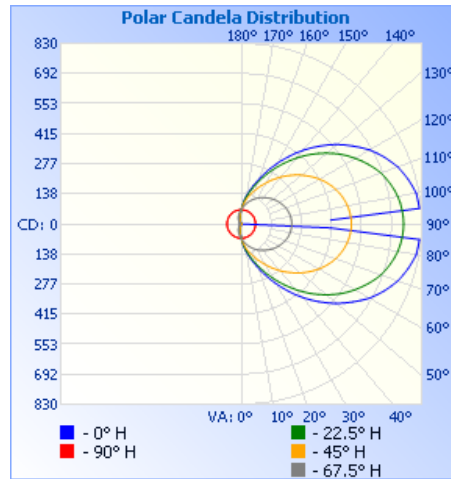
OPTICAL DISTRIBUTION

lumen output	2300 lm @ 4000K
power consumption	43W

	Center Beam fc	Beam Width	
1.7R	22.6 fc	4.4 ft	1.6 ft
3.3R	6.00 fc	8.5 ft	3.1 ft
5.0R	2.61 fc	12.9 ft	4.7 ft
6.7R	1.46 fc	17.3 ft	6.2 ft
8.3R	0.95 fc	21.4 ft	7.7 ft
10.0R	0.65 fc	25.8 ft	9.3 ft

■ Vert. Spread: 104.4°
■ Horiz. Spread: 49.9°

iti illuminations testing laboratory :



COLOR	MULTIPLIER
80 CRI - 2700K CCT	0.89
80 CRI - 3000K CCT	0.96
80 CRI - 3500K CCT	0.96
80 CRI - 4000K CCT	1.00
80 CRI - 5000K CCT	1.00
90 CRI - 2700K CCT	0.70
90 CRI - 3000K CCT	0.70
90 CRI - 3500K CCT	0.78
90 CRI - 4000K CCT	0.78
90 CRI - 5000K CCT	0.78

FCW3055

FIND IES FILES ON FCLIGHTING.COM



Due to continuous development and improvements, specifications are subject to change without notice. FC Lighting reserves the right to change lab test details or specifications without notice. Product use certifies agreement to FC Lighting terms and conditions. FCC Series Cylinder Lights are engineered and produced in our Illinois manufacturing facility.

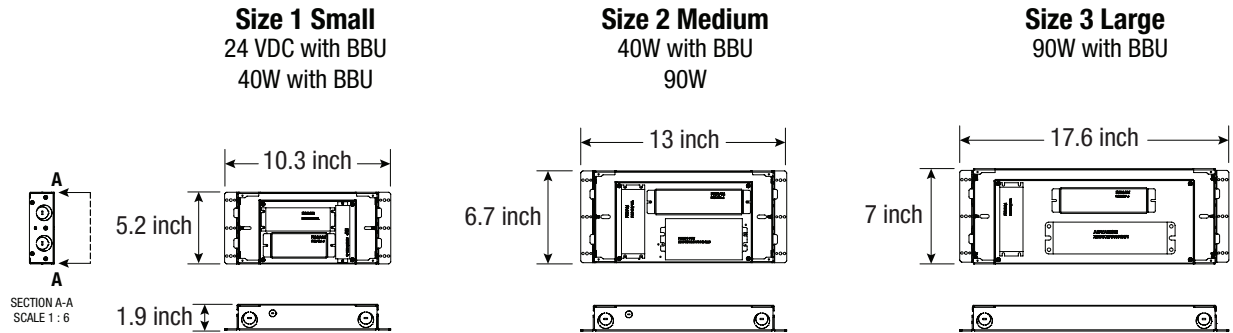
US Commercial Lighting Manufacturer Since 1982

Specification Sheet

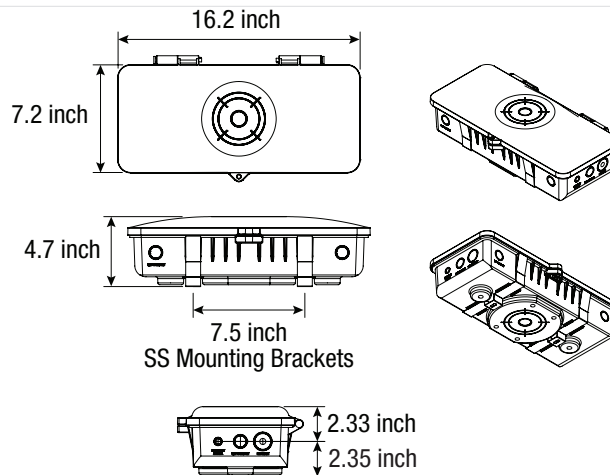


Battery Backups

BBUR — Battery Backup & LED Driver Remote (Indoor), IP20, IK08, NEMA 1, 0 to 48 °C (32 to 118 °F), 30 feet Maximum Distance with 12 AWG (with UNV Option Only)



BBUX — Battery Backup & LED Driver Remote (Outdoor), IP67, IK10, NEMA 4X, -20 to 55 °C (-4 to 131 °F), 30 feet Maximum Distance with 12AWG (with UNV Option Only)



Due to continuous development and improvements, specifications are subject to change without notice. FC Lighting reserves the right to change lab test details or specifications without notice. Product use certifies agreement to FC Lighting terms and conditions. FCC Series Cylinder Lights are engineered and produced in our Illinois manufacturing facility.