

|                   |                  |
|-------------------|------------------|
| <b>Date:</b>      | <b>Approved:</b> |
| <b>Type:</b>      |                  |
| <b>Luminaire:</b> |                  |
| <b>Project:</b>   |                  |

## FCW3062



**FCW3062** Exterior Decor luminaire is a die-cast aluminum 14 inch round luminaire and is IP65 rated. This ADA compliant, easy to install luminaire has an impact resistant lens that provides ample lighting for a variety of ceiling, wall or surface applications.



### SPECIFICATIONS

#### PHYSICAL

|                           |  |
|---------------------------|--|
| <b>dimensions</b>         | 14.1" Ø x 6.1" Deep  |
| <b>weight</b>             | 4 lbs  |
| <b>housing</b>            | Marine grade, corrosion resistant, heavy gauge high pressure die-cast aluminum; captive stainless steel tamper resistant hex head socket screws  |
| <b>lens</b>               | Impact resistant, UV stabilized, white polycarbonate diffuser  |
| <b>mounting</b>           | Masonry applications use four (4) 0.25" x 0.75" screws with lead anchors (fasteners not included, j-box by others)   |
| <b>ingress protection</b> | IP65 Rated. Suitable for wet, damp or dry location application, with extruded silicone gasket to seal out contaminants   |
| <b>finish</b>             | Available in Black, Bronze, Graphite Grey, Silver, White and Custom Colors. Six stage chemical iron phosphate conversion pre-treatment. Polyester powder coat finish, 18 µm minimum thickness, 5,000 hour salt spray test (ASTM B117) compliant with Florida, AAMA 2604 specification. |

#### PERFORMANCE

|                              |   |
|------------------------------|---|
| <b>color temperature</b>     | 2700K, 3000K, 3500K, 4000K                  |
| <b>lumen output</b>          | 750 lm, 1400 lm, 2100 lm, 2700 lm           |
| <b>lifetime</b>              | L70 >72,000 hours                           |
| <b>color consistency</b>     | 3 SDCM / standard: 85 CRI, optional: 90 CRI |
| <b>operating temperature</b> | -13°F to 104°F (-25°C to 40°C)              |
| <b>warranty</b>              | 5-Year limited warranty                     |

#### ELECTRICAL

|                          |  |
|--------------------------|--|
| <b>input voltage</b>     | Universal 120 - 277 VAC, Optional: 347VAC (Integral)   |
| <b>power supply</b>      | Integral Class II, electronic high-power factor > 94% @120V  |
| <b>certifications</b>    | ETL/cETL Listed, CEC Title 24 JA8 compliant (only 90 CRI complies), ADA Compliant                    |
| <b>standards</b>         | UL 1598, CSA C22.2 No. 250.0 - Class II UL8750, CSA C22.2 No. 250.13, IES LM-79 / LM-80              |
| <b>power consumption</b> | 52W @ 120 - 277 VAC (Maximum)  |
| <b>dimming</b>           | <b>Standard:</b> 0-10V (1%), <b>Optional:</b> ELV (120V only), DMX (Remote Only), DALI (Remote Only) |

Due to continuous development and improvements, specifications are subject to change without notice. FC Lighting reserves the right to change lab test details or specifications without notice. Product use certifies agreement to FC Lighting terms and conditions. FCC Series Cylinder Lights are engineered and produced in our Illinois manufacturing facility.



# Ordering Information

## ORDERING INFORMATION

| SERIES         | VOLTAGE                         | CCT              | CRI                            | LUMENS                   | FINISH                               | OPTIONS  |
|----------------|---------------------------------|------------------|--------------------------------|--------------------------|--------------------------------------|--|
| <b>FCW3062</b> | <b>UNV</b> UNV 120V-277V        | <b>27K</b> 2700K | <b>CRI85</b> 85 CRI (Standard) | <b>8L</b> 750 lm (14W)   | <b>BKE</b> Black (AAMA 2604)         | <b>LD</b> 0-10V Dimming, 1% (Standard)   |
|                | <b>120V</b> 120 VAC (PE Option) | <b>3K</b> 3000K  | <b>CRI90</b> 90 CRI            | <b>14L</b> 1400 lm (26W) | <b>BRE</b> Bronze (AAMA 2604)        | <b>ELV*</b> ELV Dimming *(120V Only)   |
|                | <b>277V</b> 277 VAC (PE Option) | <b>35K</b> 3500K |                                | <b>21L</b> 2100 lm (39W) | <b>GRE</b> Graphite Grey (AAMA 2604) | <b>DMX</b> DMX Dimming (Remote Only)   |
|                | <b>347V</b> 347V (Integral)     | <b>4K</b> 4000K  |                                | <b>27L</b> 2700 lm (52W) | <b>SLE</b> Silver (AAMA 2604)        | <b>DALI</b> DALI Dimming (Remote Only)   |
|                |                                 |                  |                                |                          | <b>WHE</b> White (AAMA 2604)         | <b>TPS</b> DALI Dimming (Remote Only)  |
|                |                                 |                  |                                |                          | <b>CCE</b> Custom Color (AAMA 2604)  | <b>F</b> Fused Line (For Driver Only)  |
|                |                                 |                  |                                |                          |                                      | <b>CSM</b> Conduit Surface Mount Box   |
|                |                                 |                  |                                |                          |                                      | <b>PE120</b> Photo Eye for 120 VAC (Not w/BBUR)                                  |
|                |                                 |                  |                                |                          |                                      | <b>PE277</b> Photo Eye for 277 VAC (Not w/BBUR)                                  |
|                |                                 |                  |                                |                          |                                      | <b>SP20</b> 20kV Surge Protector   |
|                |                                 |                  |                                |                          |                                      | <b>BBU</b> Battery Backup, Integral  |
|                |                                 |                  |                                |                          |                                      | <b>SP20-BBU</b> (2) 20kV Surge Protectors (1/LED Driver, 1/BBU) & Battery Backup |

## REMOTE DRIVER & BATTERY BACKUP

| SERIES                      | VOLTAGE                  | CCT              | CRI                            | LUMENS                   | FINISH                               | OPTIONS   |
|-----------------------------|--------------------------|------------------|--------------------------------|--------------------------|--------------------------------------|---|
| <b>FCW3062R<sup>†</sup></b> | <b>UNV</b> UNV 120V-277V | <b>27K</b> 2700K | <b>CRI85</b> 85 CRI (Standard) | <b>8L</b> 750 lm (14W)   | <b>BKE</b> Black (AAMA 2604)         | <b>LD</b> 0-10V Dimming, 1% (Standard)  |
|                             |                          | <b>3K</b> 3000K  | <b>CRI90</b> 90 CRI            | <b>14L</b> 1400 lm (26W) | <b>BRE</b> Bronze (AAMA 2604)        | <b>ELV</b> ELV Dimming (120 VAC Only)   |
|                             |                          | <b>35K</b> 3500K |                                | <b>21L</b> 2100 lm (39W) | <b>GRE</b> Graphite Grey (AAMA 2604) | <b>DMX</b> DMX Dimming (Remote Only)  |
|                             |                          | <b>4K</b> 4000K  |                                | <b>27L</b> 2700 lm (52W) | <b>SLE</b> Silver (AAMA 2604)        | <b>DALI</b> DALI Dimming (Remote Only)  |
|                             |                          |                  |                                |                          | <b>WHE</b> White (AAMA 2604)         | <b>TPS</b> Tamper Proof Screws  |
|                             |                          |                  |                                |                          | <b>CCE</b> Custom Color (AAMA 2604)  | <b>F</b> Fused Line (For Driver Only)   |
|                             |                          |                  |                                |                          |                                      | <b>CSM</b> Conduit Surface Mount Box  |
|                             |                          |                  |                                |                          |                                      | <b>BBUR<sup>1</sup></b> Battery Backup Remote (Indoor)  |
|                             |                          |                  |                                |                          |                                      | <b>SP20-BBUR</b> (2) 20kV Surge Protectors (1/LED Driver, 1/BBUR) & Battery Backup, Remote (Indoor) |
|                             |                          |                  |                                |                          |                                      | <b>BBUX<sup>2</sup></b> Battery Backup Remote (Outdoor)   |
|                             |                          |                  |                                |                          |                                      | <b>SP20-BBUX</b> (2) 20kV Surge Protectors (1/LED Driver, 1/BBU) & Battery Backup, Remote (Outdoor) |
|                             |                          |                  |                                |                          |                                      | <b>N/A</b> Leave Blank for Remote Driver Only (without Battery Backup)                              |

<sup>†</sup> LED DRIVER REMOTE (INDOOR) IP20, IK08, NEMA 1, -20°C to +50°C, 30' MAX Distance with 12AWG.  
<sup>\*</sup> Consult factory for outdoor remote driver only.

<sup>1</sup> Battery Back-up & LED Driver Remote (INDOOR), IP20, IK08, NEMA 1, 0°C to +48°C, 30' MAX Distance with 12AWG (w/UNV Option Only)

<sup>2</sup> Battery Back-up & LED Driver Remote (OUTDOOR), IP67, IK10, NEMA 4X, -20°C to +55°C, 30' MAX Distance with 12AWG (w/UNV Option Only)

### Consult Factory for other options and configurations.

To ensure you receive proper configurations for your lighting specifications, contact us directly about any unique application requirements. This may include but not be limited to lumen output, mounting needs, or electrical requirements.

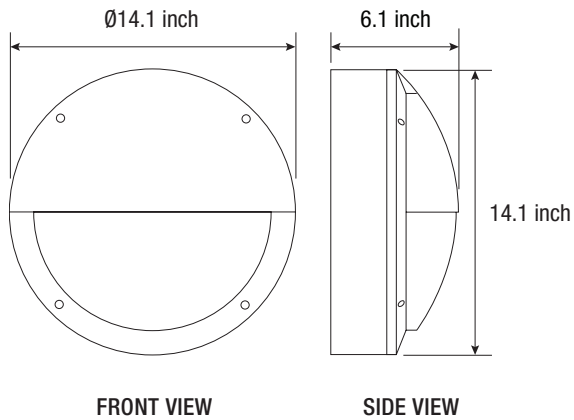
Due to continuous development and improvements, specifications are subject to change without notice. FC Lighting reserves the right to change lab test details or specifications without notice. Product use certifies agreement to FC Lighting terms and conditions. FCC Series Cylinder Lights are engineered and produced in our Illinois manufacturing facility.



# Dimensions

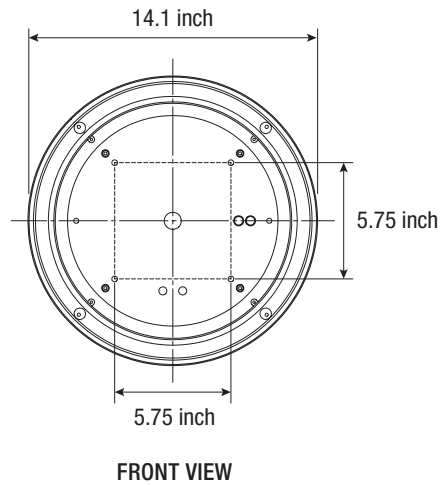
## PRODUCT DIMENSIONS - STANDARD PRODUCT

|       |         |
|-------|---------|
| width | 14.1" Ø |
| depth | 6.1" D  |

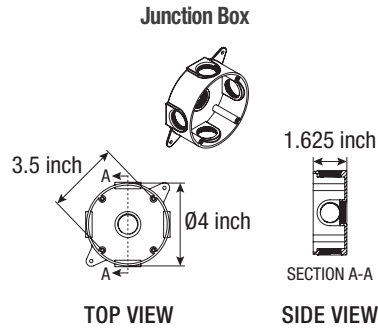
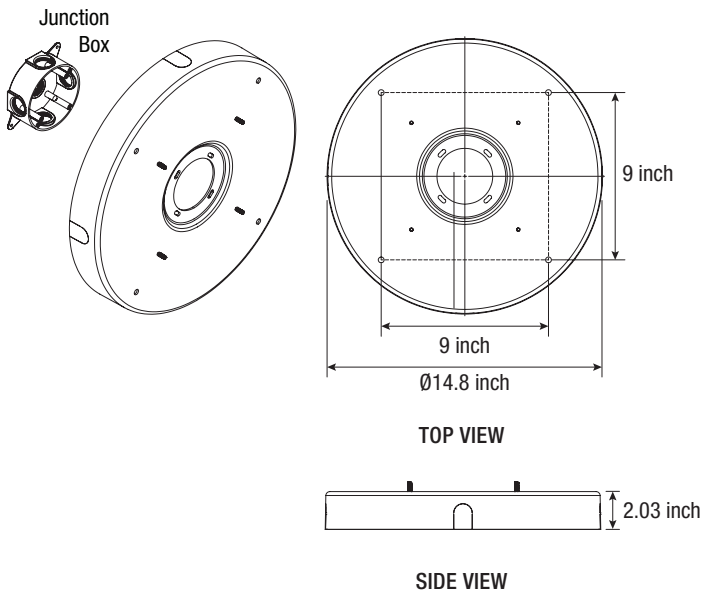


## MOUNTING - *j-box sold by others*

|                        |         |
|------------------------|---------|
| surface mounting width | 14.1" W |
|------------------------|---------|



## CONDUIT SURFACE MOUNT (CSM)



Due to continuous development and improvements, specifications are subject to change without notice. FC Lighting reserves the right to change lab test details or specifications without notice. Product use certifies agreement to FC Lighting terms and conditions. FCC Series Cylinder Lights are engineered and produced in our Illinois manufacturing facility.



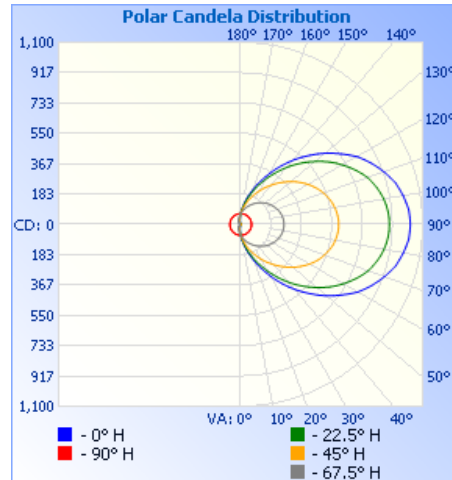
# Photometry

## OPTICAL DISTRIBUTION

|                          |                 |
|--------------------------|-----------------|
| <b>lumen output</b>      | 2700 lm @ 4000K |
| <b>power consumption</b> | 52W             |

| Illuminance at a Distance |                |                |
|---------------------------|----------------|----------------|
|                           | Center Beam fc | Beam Width     |
| 1.7R                      | <b>22.6 fc</b> | <b>4.1 ft</b>  |
| 3.3R                      | <b>6.00 fc</b> | <b>7.9 ft</b>  |
| 5.0R                      | <b>2.61 fc</b> | <b>11.9 ft</b> |
| 6.7R                      | <b>1.46 fc</b> | <b>16.0 ft</b> |
| 8.3R                      | <b>0.95 fc</b> | <b>19.8 ft</b> |
| 10.0R                     | <b>0.65 fc</b> | <b>23.9 ft</b> |

■ Beam Spread: 100.1°



illuminations testing laboratory :

FCW3062

FIND IES FILES ON FCLIGHTING.COM



Due to continuous development and improvements, specifications are subject to change without notice. FC Lighting reserves the right to change lab test details or specifications without notice. Product use certifies agreement to FC Lighting terms and conditions. FCC Series Cylinder Lights are engineered and produced in our Illinois manufacturing facility.

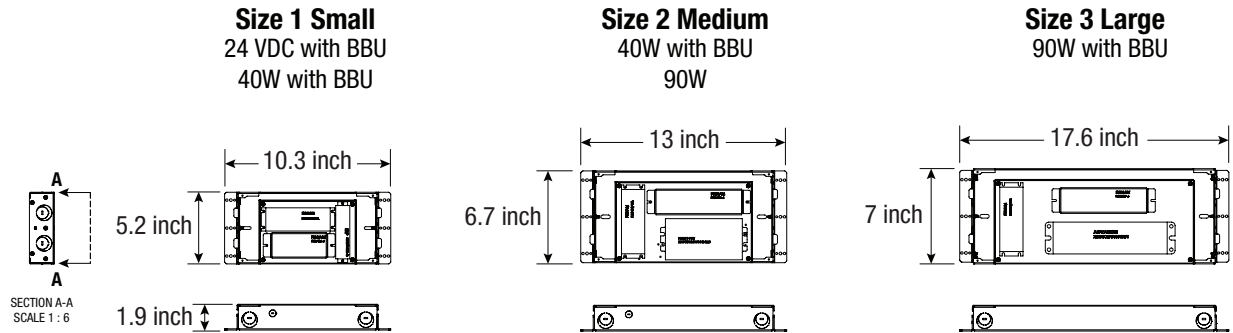
US Commercial Lighting Manufacturer Since 1982

Specification Sheet

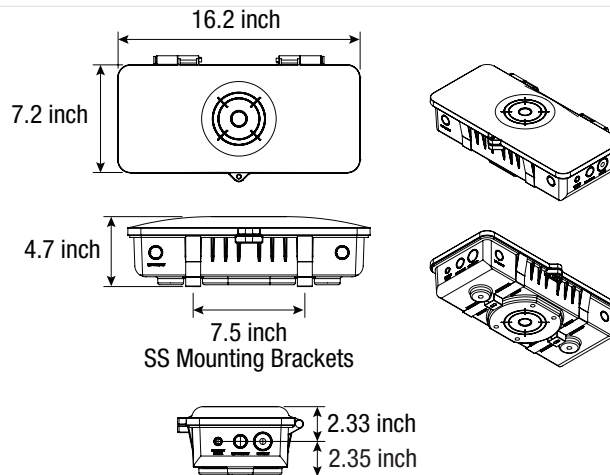


# Battery Backups

**BBUR** — Battery Backup & LED Driver Remote (Indoor), IP20, IK08, NEMA 1, 0 to 48 °C (32 to 118 °F), 30 feet Maximum Distance with 12 AWG (with UNV Option Only)



**BBUX** — Battery Backup & LED Driver Remote (Outdoor), IP67, IK10, NEMA 4X, -20 to 55 °C (-4 to 131 °F), 30 feet Maximum Distance with 12AWG (with UNV Option Only)



Due to continuous development and improvements, specifications are subject to change without notice. FC Lighting reserves the right to change lab test details or specifications without notice. Product use certifies agreement to FC Lighting terms and conditions. FCC Series Cylinder Lights are engineered and produced in our Illinois manufacturing facility.